

THIS DRAWING IS UNPUBLISHED.

RELEASED FOR PUBLICATION

-. - .

© COPYRIGHT - By -

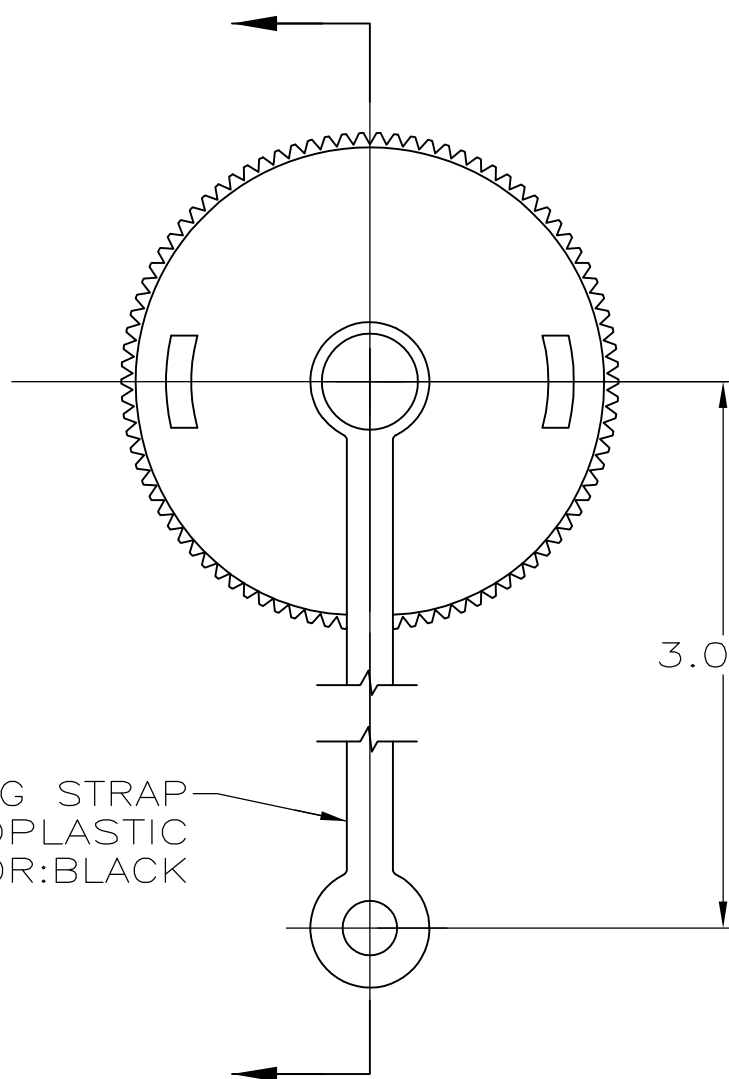
ALL RIGHTS RESERVED.

LOC
FT

DIST
4

REVISIONS

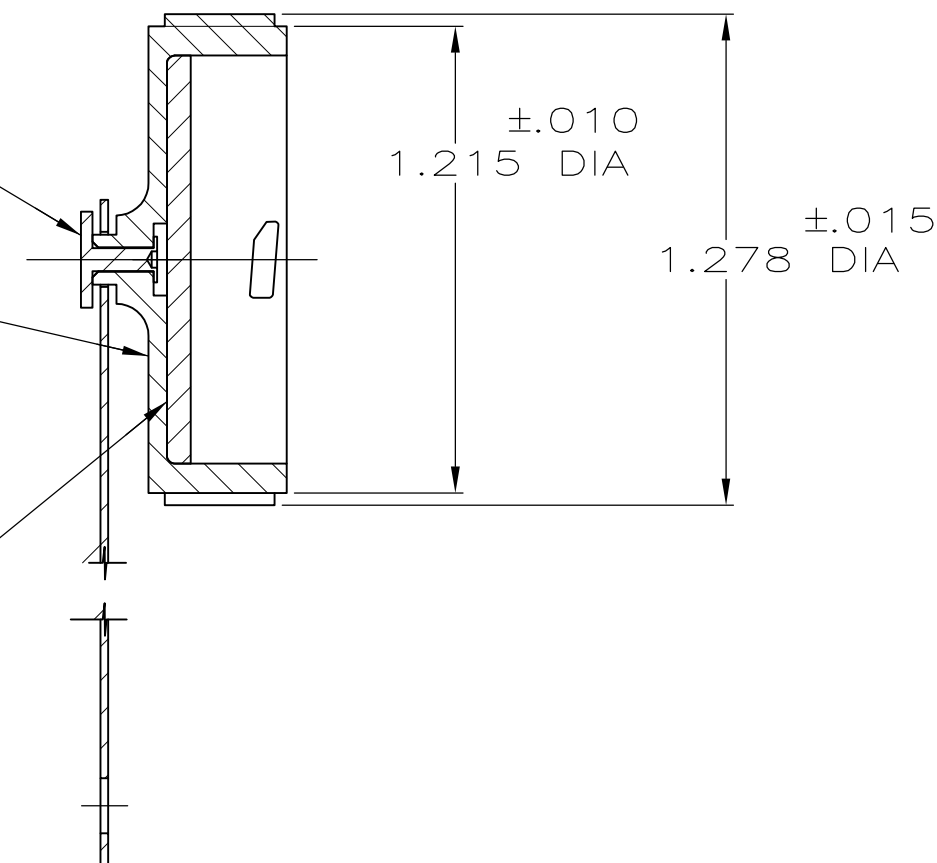
P	LTR	DESCRIPTION	DATE	DWN	APVD
	G1	REVISED PER ECO-11-004820	11MAR11	RK	HMR



RIVET
MATERIAL: CARBON STEEL
FINISH: ZINC PLATE
W/CLEAR CHROMATE

SEALING CAP
MATERIAL: THERMOPLASTIC
COLOR: BLACK


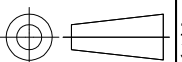
SEALING GASKET
MATERIAL: NEOPRENE
RUBBER
SEE TABLE



MOUNTING STRAP
MATERIAL: THERMOPLASTIC
COLOR: BLACK

SUPERCEDED BY 207445-3

YES	YES	207445-3
YES	NO	207445-2
NO	YES	207445-1
ROHS COMPLIANT	SEALING GASKET	PART NUMBER

THIS DRAWING IS A CONTROLLED DOCUMENT.		DWN S.RIDGLEY	7/30/90	 TE Connectivity	
DIMENSIONS: INCHES		CHK R.STONE	4-26-91		
		APVD K.BEAVER	4-30-91		
TOLERANCES UNLESS OTHERWISE SPECIFIED:		NAME			
MATERIAL		PRODUCT SPEC		SEALING CAP ASSY, SIZE 17, CPC	
SEE CALLOUTS		APPLICATION SPEC		SIZE	CAGE CODE
FINISH		WEIGHT		A3	00779
SEE CALLOUTS		CUSTOMER DRAWING		DRAWING NO	
				G-207445	
				RESTRICTED TO	
				SCALE	SHEET
				2:1	1 OF 1
				REV	G1

Mouser Electronics

Authorized Distributor

Click to View Pricing, Inventory, Delivery & Lifecycle Information:

[TE Connectivity:](#)

[207445-2](#)