

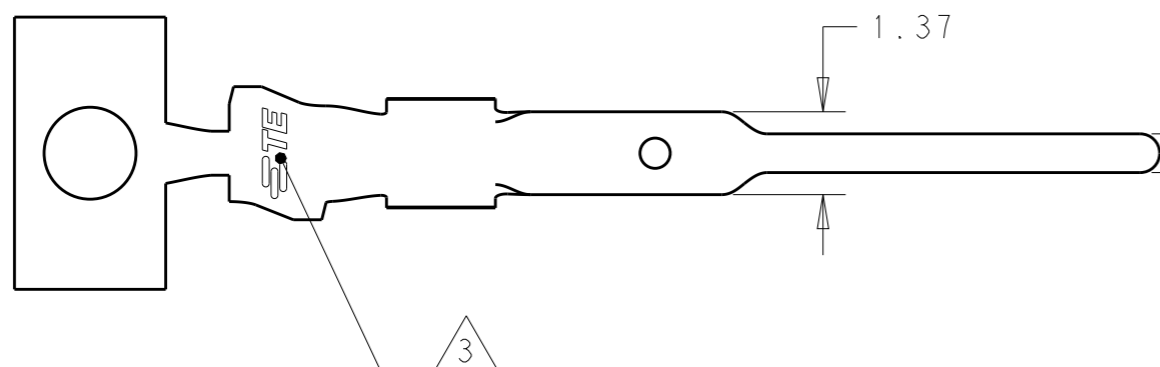
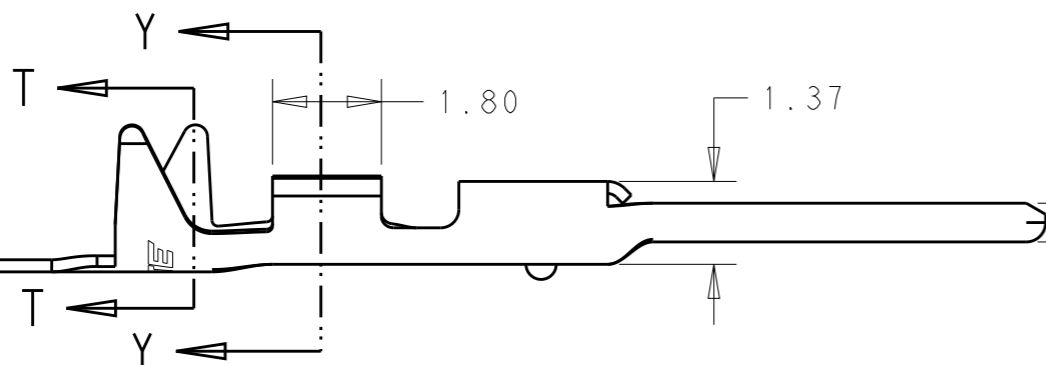
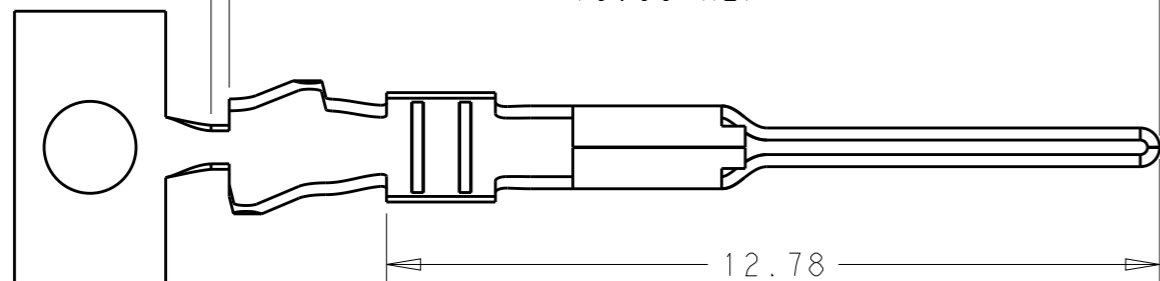
REVISIONS

P	LTR	DESCRIPTION	DATE	DWN	APVD
	A	INITIAL RELEASE	08AUG2019	L.C	D.Z

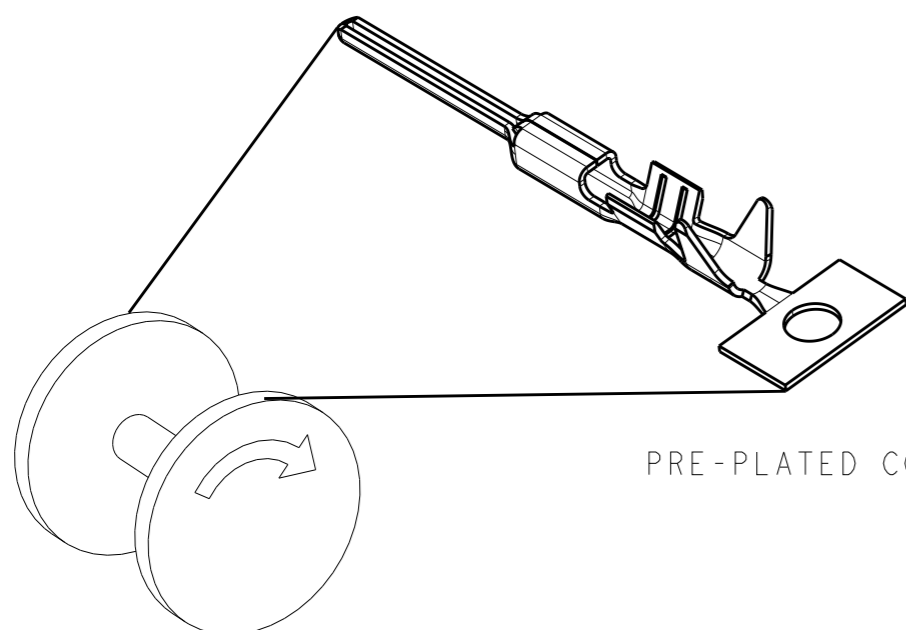
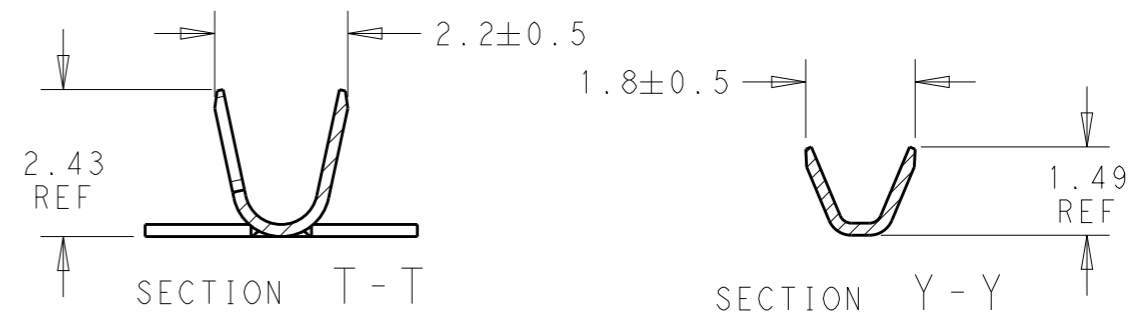
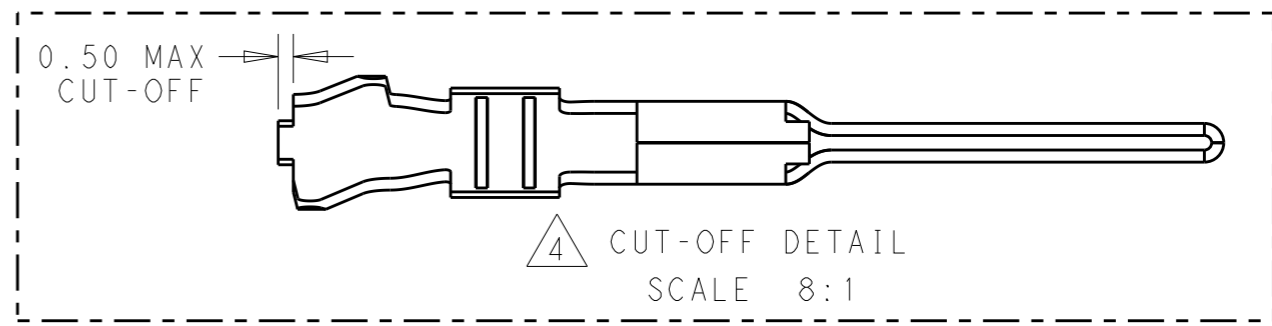
0.50 MAX CUT-OFF

15.38 REF

12.78



- 1 BRASS, 0.20 THK, REF
- 2 FINISH: TIN PRE-PLATED
- 3 TE CONNECTIVITY LOGO LOCATED APPROX AS SHOWN
- 4 TO BE SUPPLIED WITH LOOSE PIECE, SEE CUT-OFF DETAIL
- 5 MATING RECEPTACLE HOUSING P/Ns: 2321924-* OR 2321926-*
- 6 APPLICATION FEED 6.0mm



PRE-PLATED CONTACT

INSULATION DIA	WIRE RANGE	REMARKS	FINISH	PART NO
1.30-1.60	22-26 AWG	LOOSE PIECE, SEE 4	2	1-2321928-1
1.30-1.60	22-26 AWG	ON REEL	2	2321928-1

THIS DRAWING IS A CONTROLLED DOCUMENT.		DWN R. SMITH 28JUL2017	TE Connectivity	
DIMENSIONS: mm		CHK C. YI 28JUL2017		
TOLERANCES UNLESS OTHERWISE SPECIFIED:		APVD C. YI 28JUL2017	NAME TAB TERMINAL, SDL 2.5 WATERPROOF	
0 PLC ±-		PRODUCT SPEC 108-143069	SIZE CAGE CODE DRAWING NO RESTRICTED TO	
1 PLC ±0.50		APPLICATION SPEC 114-143067	A300779 C-2321928	
2 PLC ±0.25		WEIGHT -	SCALE 5:1 SHEET 1 OF 1 REV A	
3 PLC ±-		CUSTOMER DRAWING		
4 PLC ±-				
ANGLES ±-				
FINISH -				
MATERIAL 1				
SEE NOTES				

Mouser Electronics

Authorized Distributor

Click to View Pricing, Inventory, Delivery & Lifecycle Information:

[TE Connectivity:](#)

[1-2321928-1](#)