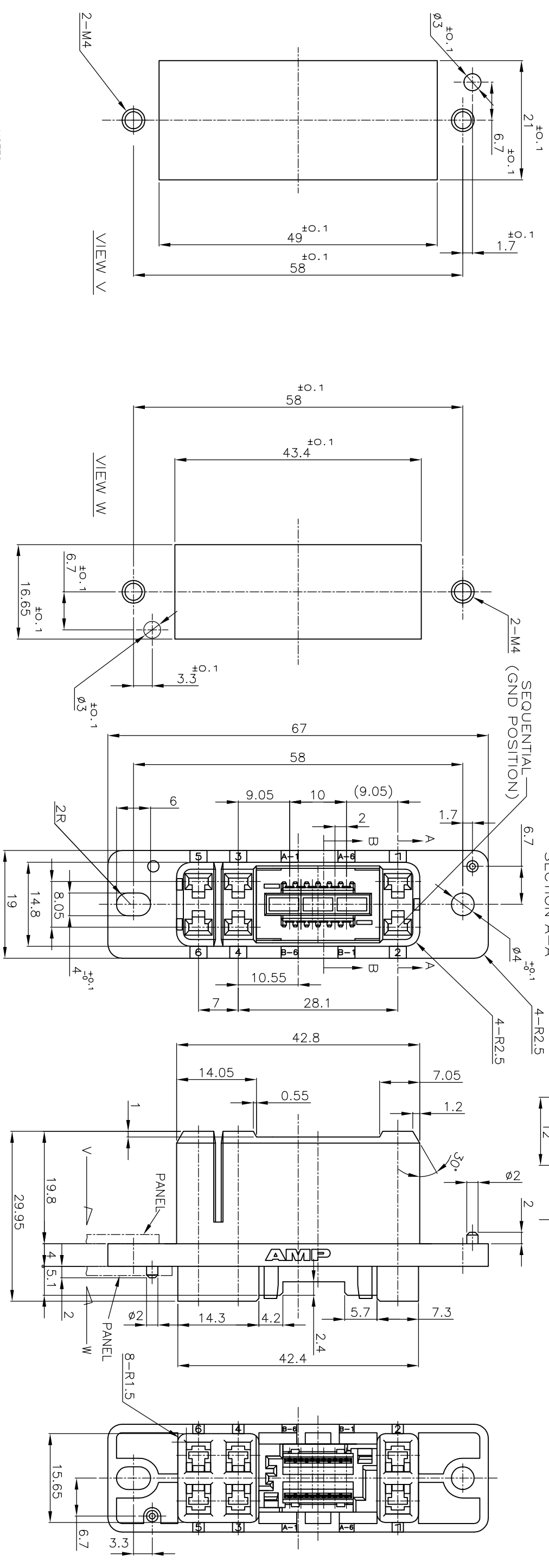


PANEL CUT DIMENSIONS



- NOTES
1. MATERIAL
HOUSING: THERMO PLASTIC
CONTACT: COPPER ALLOY
 2. CONTACT FINISH
MATING SIDE: NICKEL PL. ALL OVER GOLD PL.
CT MATING SIDE: NICKEL PL. ALL OVER MATTE TIN PL.
 3. APPLIED POWER CONTACT P/N
 4. APPLIED GND CONTACT P/N
- | FINISH | AWG | STRIP | LOOSE PIECE |
|----------|--------|------------|-------------|
| GOLD PL. | #16~20 | 179316-4 | |
| PL. | #20~24 | 179317-4 | |
| TIN PL. | #16~20 | 1-179316-2 | |
| PL. | #20~24 | 1-179317-2 | |
- | FINISH | AWG | STRIP | LOOSE PIECE |
|----------|--------|------------|-------------|
| GOLD PL. | #16~20 | 316458-4 | |
| TIN PL. | #16~20 | 1-316458-2 | |

P: NUMBER OF POWER AND GND CONTACT (UNLOADED)
 S: NUMBER OF SIGNAL CONTACT (PRELOADED)

LOC	DIST	REV	DESCRIPTION	DATE	BY	APP'D
ES	00					
B1		REVISED	ECR-06-021277	05SEP06	C.Z	S.Y

I.D.C TYPE	CRIMP TYPE	CRIMP P/N	POS	P/N
1-175133-2	173977-6	CRIMP11-179472-2	6-12	1-292186-2
APPLIED CT HOLDER P/N	APPLIED CTCONN P/N	APPLIED CT HOLDER P/N	MATING COUNTER P/N	

THIS DRAWING IS A CONTROLLED DOCUMENT.

APPROVED: T. SASAKI, S. YAO, J. JIANG

TYCO ELECTRONICS CORPORATION, SHANGHAI, P.R. CHINA, 200233

RECEPTACLE ASSEMBLY 18P(6-12) SEQUENTIAL TYPE HYBRID MINI DRAWER CONNECTOR (IC-950)

SIZE: A2, QAGE CODE: 00779, DRAWING NO: 292186

SCALE: 2:1, SHEET: 1 OF 1, REV: B1

Mouser Electronics

Authorized Distributor

Click to View Pricing, Inventory, Delivery & Lifecycle Information:

[TE Connectivity:](#)

[1-292186-2](#)