

THIS DRAWING IS UNPUBLISHED.

RELEASED FOR PUBLICATION

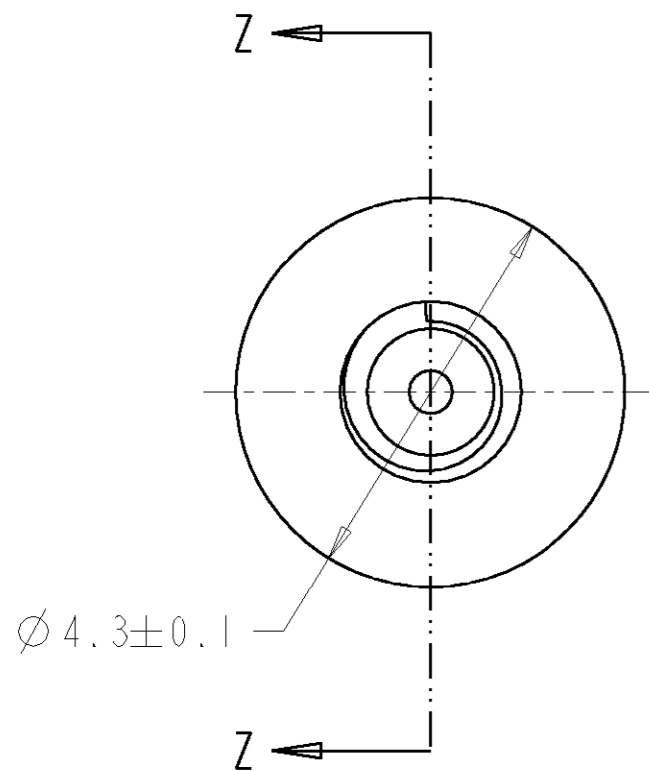
© COPYRIGHT

ALL RIGHTS RESERVED.

LOC GP DIST 00

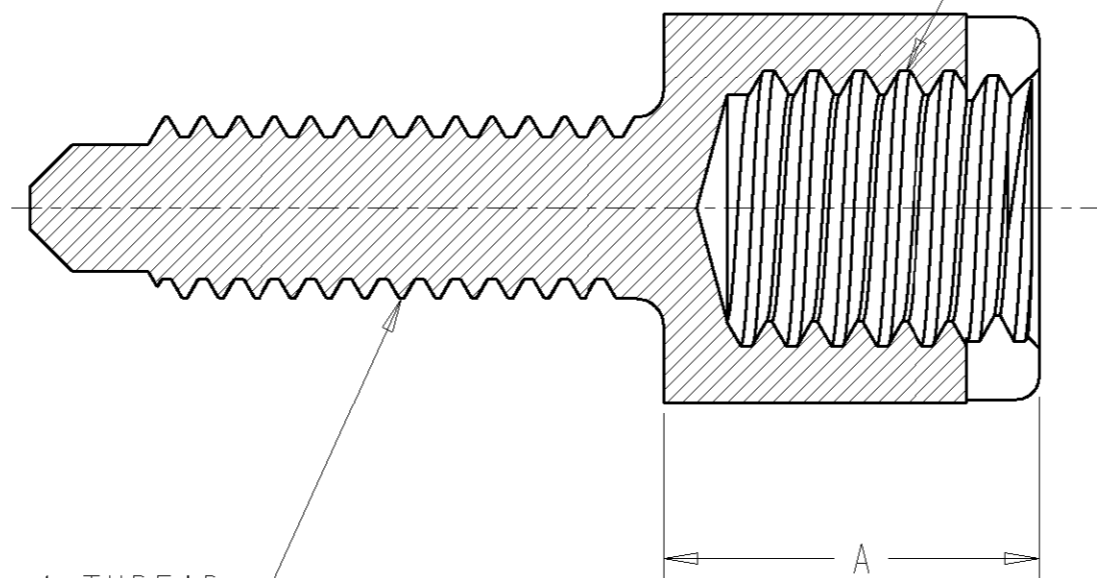
REVISIONS

P	LTR	DESCRIPTION	DATE	DWN	APVD
A1		REVISED PER ECO-11-005294	20APR11	RK	HMR

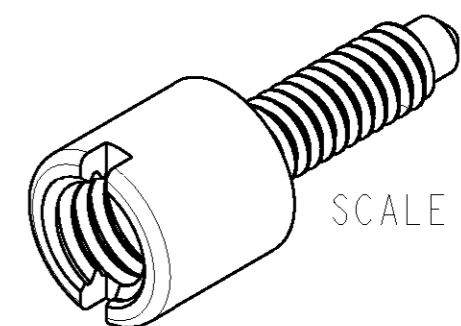
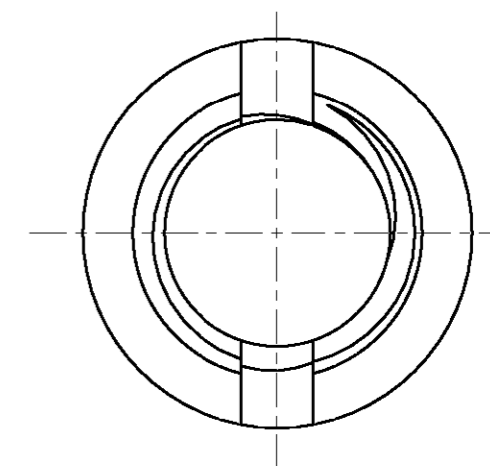


∅ 4.3 ± 0.1

M2 x .4 THREAD



SECTION Z-Z



SCALE 6:1

- 1. MATERIAL: STAINLESS STEEL.
- 2. SCREW LOCK REQUIRED FOR PART NUMBER 1339362. SCREW LOCK MUST BE ORDERED SEPARATELY PER TABLE BELOW.

> 1mm - < 2mm	1339381-2
0mm - ≤ 1mm	1339381-1
PANEL THICKNESS	SCREW LOCK P/N

- 3. PACKAGED IN BAGS THAT INCLUDE 960 PIECES. 2 REQUIRED PER BOARD MOUNT CONNECTOR.

- 4. PACKAGED IN BAGS THAT INCLUDE 100 PIECES. 2 REQUIRED PER BOARD MOUNT CONNECTOR.

4.14	1339381-4	4
5.15	1339381-3	4
4.14	1339381-2	3
5.15	1339381-1	3
DIM A	PART NUMBER	

DWN K. ZARBOCK 27JUL01			
CHR D. WIEBKING 27JUL01			
APVD D. WIEBKING 27JUL01			
DIMENSIONS: mm		NAME	
TOLERANCES UNLESS OTHERWISE SPECIFIED:		SCREW LOCK, MINI RJ21, RECEPTACLE	
0 PLC ±-		SIZE	
1 PLC ±0.05		CAGE CODE	
2 PLC ±0.05		DRAWING NO	
3 PLC ±0.05		RESTRICTED TO	
4 PLC ±0.05		A3 00779 C-1339381	
ANGLES ±2°		SCALE 12:1	
MATERIAL 1		SHEET 1 OF 1	
FINISH -		REV A1	
CUSTOMER DRAWING			

Mouser Electronics

Authorized Distributor

Click to View Pricing, Inventory, Delivery & Lifecycle Information:

[TE Connectivity:](#)

[1339381-1](#)