

4

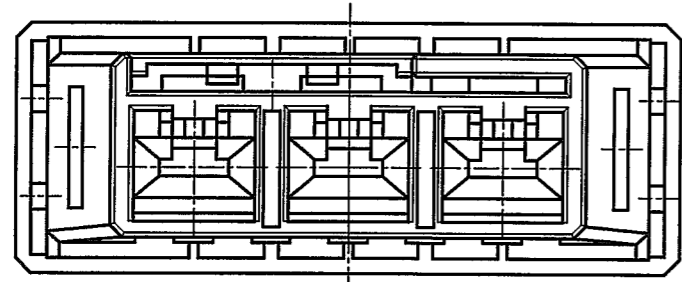
3

2

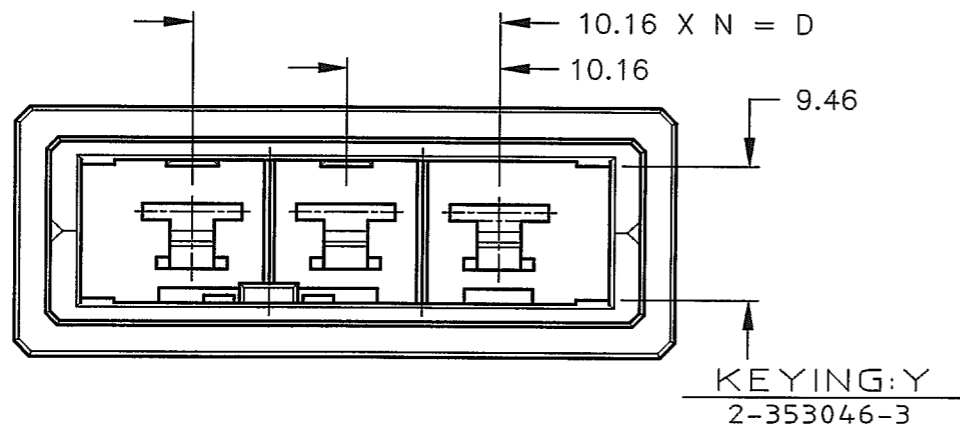
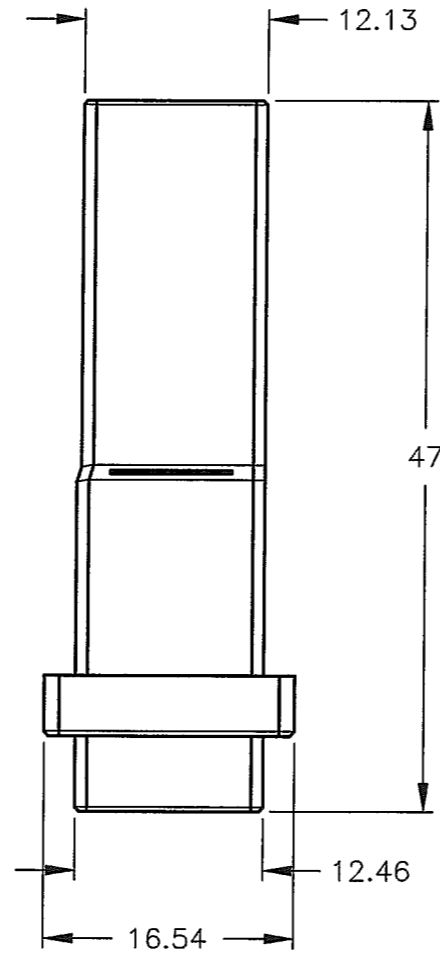
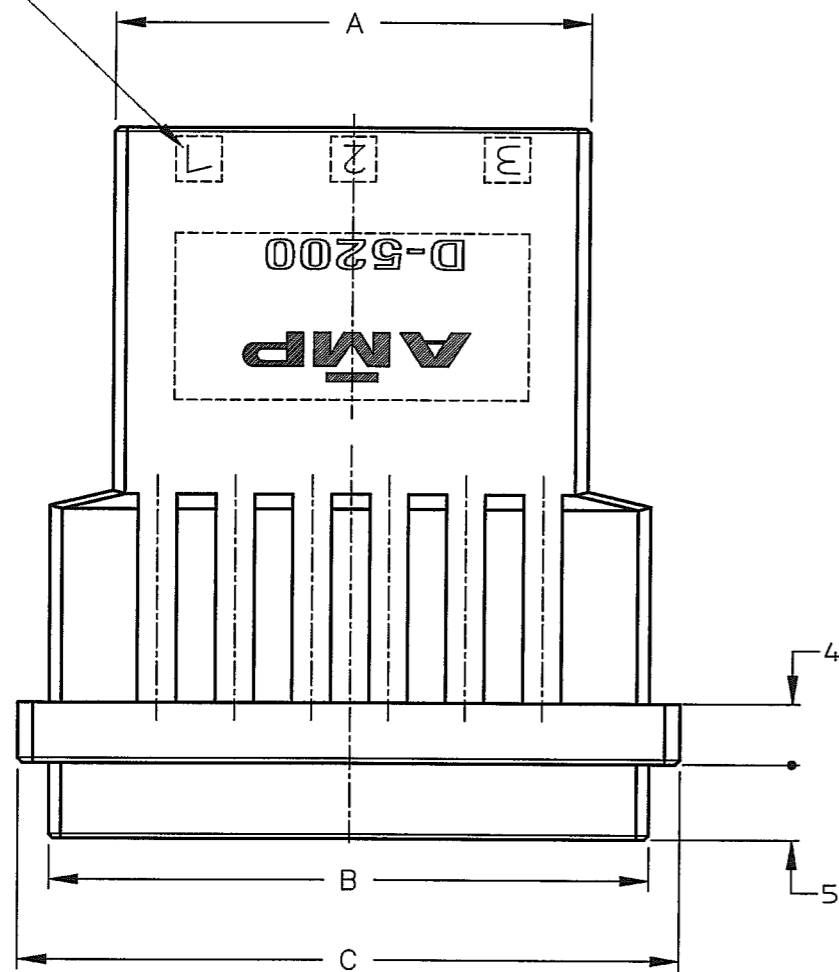
1

THIS DRAWING IS UNPUBLISHED. RELEASED FOR PUBLICATION .1996  
 © COPYRIGHT 1996 BY AMP INCORPORATED, ALL RIGHTS RESERVED.

LOC	DIST	REVISIONS						
		P	LTR	DESCRIPTION	ECN	DATE	DWN	APVD
J		0		RELEASED	FJ00-4330-96	16/MAY '96	K.I	Y.I
		A		REVISED	FJ00-5532-96	7/JAN '97	K.I	Y.I
		B		REVISED	FJ00-0246-97	18/FEB '97	K.I	Y.I
		C		REVISED	FJ00-1335-97	18/FEB '97	K.I	I.H
		D		REVISED	FJD0-0108-04	29/MAR '04	T.S	D.M



CIRCUIT NO.  
回路番号

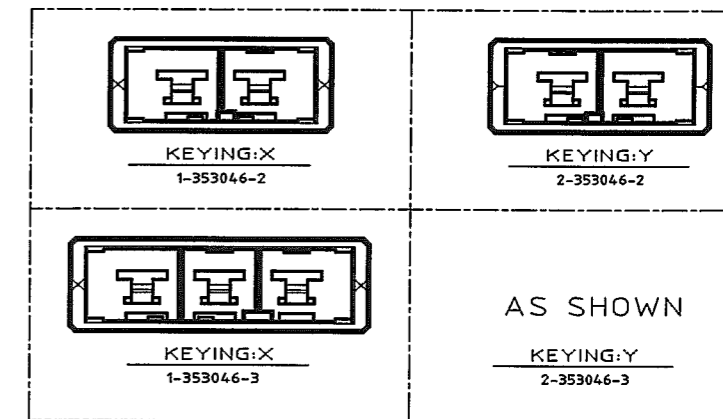


注記

△ 材料:ハウジング:ガラス入り熱可塑性  
 ポリエステル樹脂 (94V-0),色:黒

NOTES

△ MATERIAL:HOUSING:GLASS FILED THERMO PLASTIC  
 ,POLYESTER(94-V-0),COLOR:BLACK



							2-353046-3
31.27	39.52	43.6	20.32	2	3		1-353046-3
							2-353046-2
21.11	29.36	33.44	10.16	1	2		1-353046-2
A	B	C	D	N	POS		P/N

WIRE RANGE 適合電線断面積	INSULATION DIA 線径外径
T1	T1

THIS DRAWING IS A CONTROLLED DOCUMENT FOR AMP INCORPORATED. IT IS SUBJECT TO CHANGE AND THE CONTROLLING ENGINEERING ORGANIZATION SHOULD BE CONTACTED FOR THE LASTEST REVISION.		DWN K.IKEDA 16/MAY/'96	 Tyco Electronics AMP K.K. Kawasaki, Japan
DIMENSIONS: 単位 番 mm		CHK Y.Ishikawa 16/MAY/'96	
TOLERANCES UNLESS OTHERWISE SPECIFIED 一般公差 1φ : ±0.2 >10 : ±0.25 3φ : ±0.3 >30 : ±0.3 ANGLE : ±0.3°		APVD S.Manabe 17/MAY/'96	
MATERIAL 材料		PRODUCT SPEC 製品規格 108-5453	NAME 名称 1列 タブ ハウジング フリーハンギング タイプ SINGLE ROW TAB HSG (FREE HANGING) <DYNAMIC D-5200 S>
FINISH 仕上		APPLICATION SPEC 取付適用規格 114-5206	SIZE A3
KEYING:Y 2-353046-3		WEIGHT T1	CAGE CODE 00779
CUSTOMER DRAWING		DRAWING NO C-353046	
		SCALE 尺度 2-1	
		SHEET 1 OF 1	
		REV D	

# Mouser Electronics

Authorized Distributor

Click to View Pricing, Inventory, Delivery & Lifecycle Information:

[TE Connectivity:](#)

[1-353046-3](#)