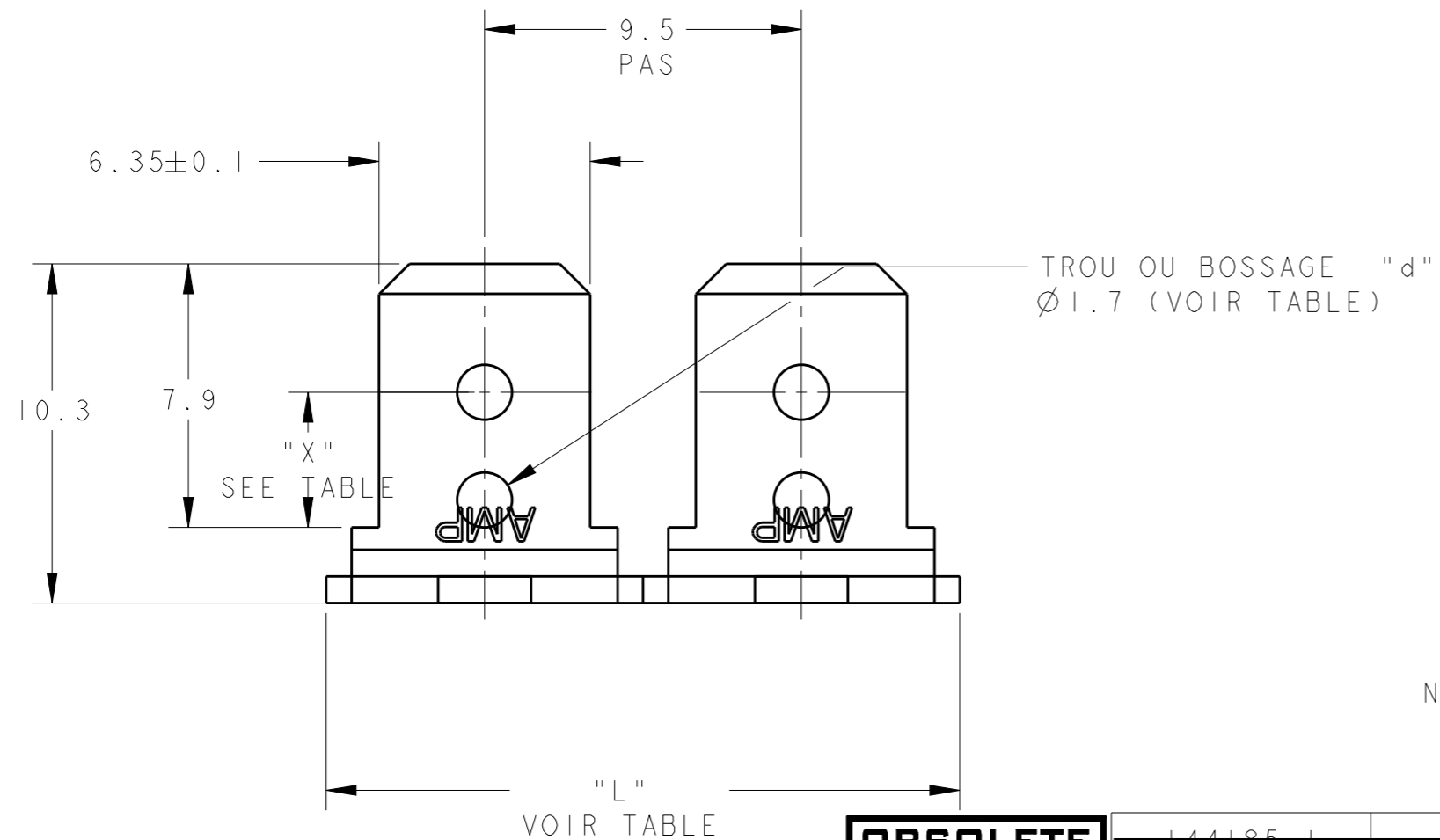


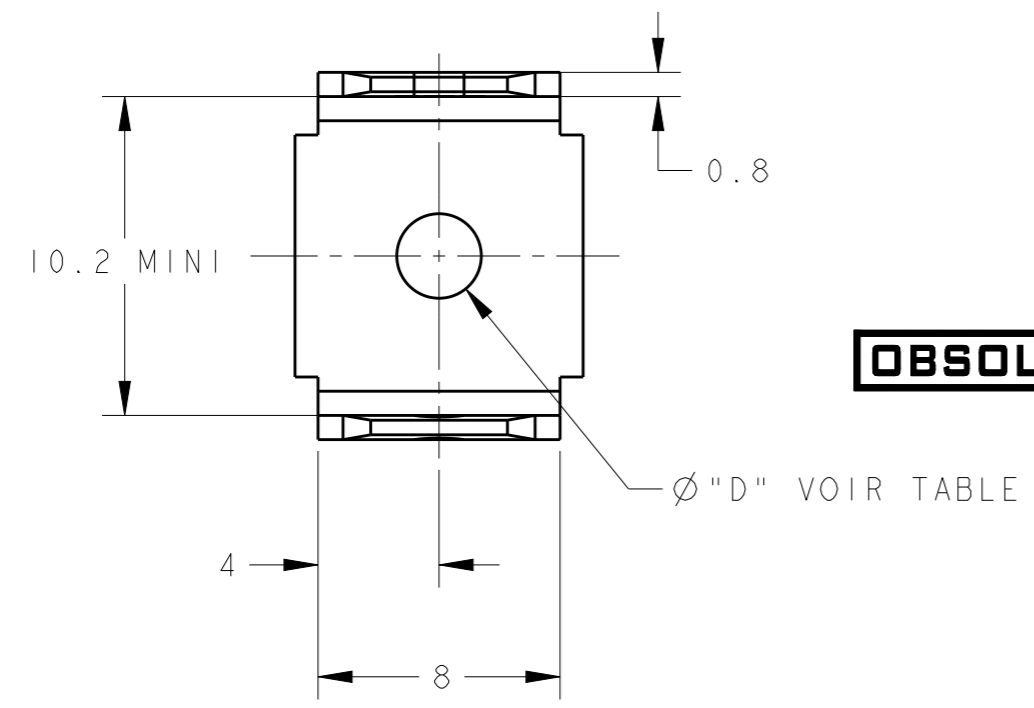
THIS DRAWING IS UNPUBLISHED.
 DIFFUSION RESTREINTE AMP
 © COPYRIGHT 20 BY TYCO ELECTRONICS CORPORATION. ALL RIGHTS RESERVED.
 TOUS DROITS RESERVES

RELEASED FOR PUBLICATION
 LIBRE A LA DIFFUSION
 20

LOC	DIST	REVISIONS				
P	LTR REV	DESCRIPTION MODIFICATIONS	DATE	DWN DESS.	APVD APP.	
F	7	G	140617/140722-1/-2 REACTIVE	OCT1992	JJD -	
		H	REDESSINE EN CAO	13OCT2000	JJD -	
		HI	REVISED PER ECR-17-009309	06JUL2017	BH RP	



NOTE : la position du trou (cote 4.1) est hors standard pour les ref. 141705-1/-2



OBSOLETE

OBSOLETE

Reference	Finition	"L"	"D" ^{+0.12} ₋₀	"X"±0.1	"d"	Nombre de paires
144185-1	brut	17.6	4.1	3.4	trou	2
141878-3	brut	en bande	4.1	3.4	trou	en bande
141878-2	etame	8	4.1	3.4	trou	1
141878-1	brut	8	4.1	3.4	trou	1
141705-2	etame	27.3	4.1	4.05	trou	3
141705-1	brut	27.3	4.1	4.05	trou	3
140722-2	etame	en bande	4.1	4.05	bossage	en bande
140722-1	brut	en bande	4.1	4.05	bossage	en bande
140617-0	brut	27.3	4.1	4.05	bossage	3
140613-0	brut	8	4.1	4.05	bossage	1

<small>THIS DRAWING IS A CONTROLLED DOCUMENT FOR TYCO ELECTRONICS CORPORATION IT IS SUBJECT TO CHANGE AND THE CONTROLLING ENGINEERING ORGANIZATION SHOULD BE CONTACTED FOR THE LATEST REVISION.</small> <small>CE PLAN EST UN DOCUMENT CONTROLE PAR AMP INCORPORATED. IL EST SUSCEPTIBLE D'ETRE REVISE. CONTACTER LE SERVICE TECHNIQUE D'AMP DE FRANCE POUR OBTENIR LA DERNIERE REVISION.</small>		DWN/DESSINE JJ. DESPRETZ 13OCT2000		AMP AMP DE FRANCE 95301 PONTOISE	
DIMENSIONS: mm		TOLERANCES UNLESS OTHERWISE SPECIFIED: TOLERANCES NON SPECIFIEES (SUIV NB DE DECIMALES): 0 PLC/DEC: ±0.3 1 PLC/DEC: ±0.3 2 PLC/DEC: ± 3 PLC/DEC: ± 4 PLC/DEC: ± ANGLES ±1 DEG		NAME TITRE LANGUETTE DOUBLE PLIEE A 90 DEG. FASTON TABS .250 SERIES BENT	
MATERIAL / MATIERE LAITON		FINISH / FINITION VOIR TABLE		SIZE FORMAT A3	
WEIGHT / MASSE APPROX. -		APPLICATION SPEC SPEC. APPLICATION -		CAGE CODE 00779	
CUSTOMER DRAWING / PLAN CLIENT		UNIFORMEMENT POUR REFERENCE		DRAWING NO No PLAN C=140613	
SCALE ECHELLE 5:1		SHEET FEUILLE 1 OF DE 1		RESTRICTED TO RESERVE A - REV HI	

Mouser Electronics

Authorized Distributor

Click to View Pricing, Inventory, Delivery & Lifecycle Information:

[TE Connectivity:](#)

[141878-2](#)