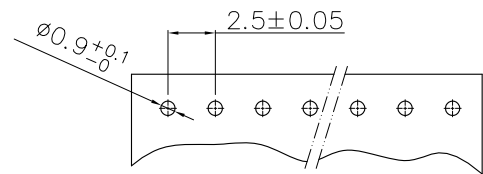
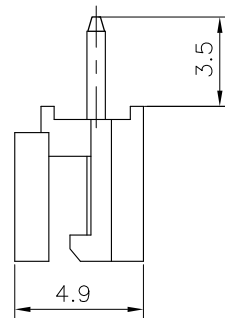
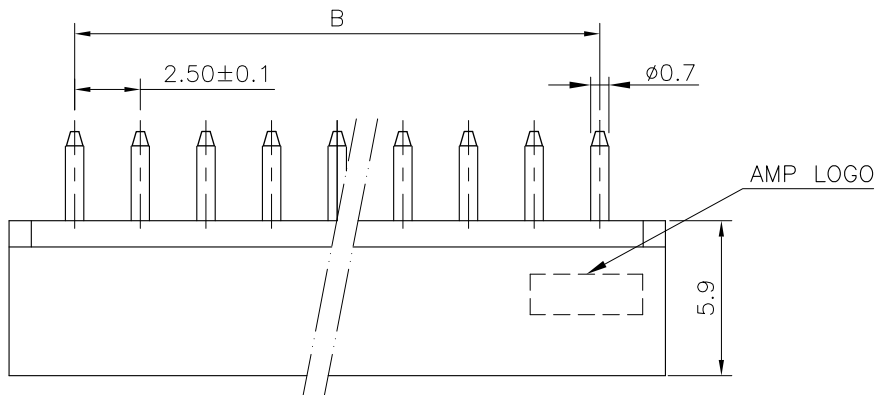
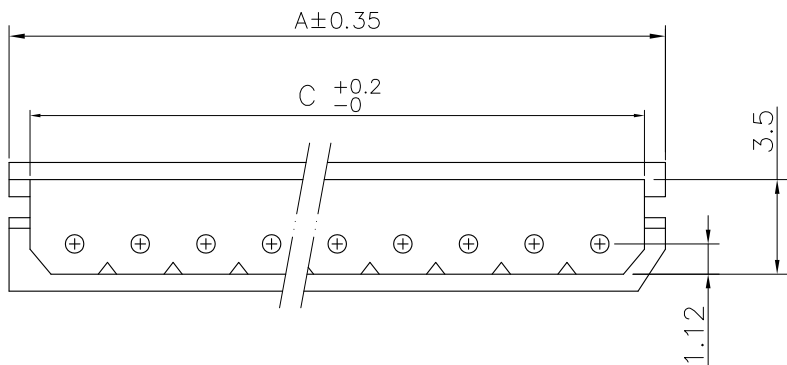


THIS DRAWING IS UNPUBLISHED. RELEASED FOR PUBLICATION
 © COPYRIGHT BY TYCO ELECTRONICS CORPORATION. ALL RIGHTS RESERVED.

LOC	DIST	REVISIONS			
P	LTR	DESCRIPTION	DATE	DWN	APVD
DW	-	E1	REVISED ECR-16-007769	20JUN16	JJ WH



RECOMMENDED PCB LAYOUT (THICKNESS: 1.6MM)
 (TOP VIEW) (TOLERANCE: ±0.05)



HSG. COLOR	C	B	A	POS.	PART NUMBER
	35.9	32.50 ±0.20	37.5	14	3-1470224-4
	33.4	30.00 ±0.20	35.0	13	3-1470224-3
	30.9	27.50 ±0.20	32.5	12	3-1470224-2
	28.4	25.00 ±0.20	30.0	11	3-1470224-1
	25.9	22.50 ±0.15	27.5	10	3-1470224-0
	23.4	20.00 ±0.15	25.0	9	2-1470224-9
	20.9	17.50 ±0.15	22.5	8	2-1470224-8
	18.4	15.00 ±0.15	20.0	7	2-1470224-7
	15.9	12.50 ±0.10	17.5	6	2-1470224-6
	13.4	10.00 ±0.10	15.0	5	2-1470224-5
	10.9	7.50 ±0.10	12.5	4	2-1470224-4
	8.4	5.00 ±0.10	10.0	3	2-1470224-3
	5.9	2.50 ±0.10	7.5	2	2-1470224-2
	38.4	35.00 ±0.20	40.0	15	1-1470224-5
	35.9	32.50 ±0.20	37.5	14	1-1470224-4
	33.4	30.00 ±0.20	35.0	13	1-1470224-3
	30.9	27.50 ±0.20	32.5	12	1-1470224-2
	28.4	25.00 ±0.20	30.0	11	1-1470224-1
	25.9	22.50 ±0.15	27.5	10	1-1470224-0
	23.4	20.00 ±0.15	25.0	9	0-1470224-9
	20.9	17.50 ±0.15	22.5	8	0-1470224-8
	18.4	15.00 ±0.15	20.0	7	0-1470224-7
	15.9	12.50 ±0.10	17.5	6	0-1470224-6
	13.4	10.00 ±0.10	15.0	5	0-1470224-5
	10.9	7.50 ±0.10	12.5	4	0-1470224-4
	8.4	5.00 ±0.10	10.0	3	0-1470224-3
	5.9	2.50 ±0.10	7.5	2	0-1470224-2

NOTE:

- MATERIAL:
HOUSING: PA66, UL 94V-2, COLOR: SEE TABLE.
CONTACTS: BRASS.
- FINISH:
CONTACTS: 1.27µm [50µ"] MIN. BRIGHT-TIN ON SOLDER TAIL, WITH ENTIRE CONTACT UNDERPLATED 0.381µm [15µ"] MIN. NICKEL.
- WAVE SOLDER CAPABLE TO 240°C PER TE CONNECTIVITY TEST SPEC. 109-202, CONDITION A.

⚠️ OBSOLETE PARTS: OBSOLETE CIS STREAMLINING PER D.RENAUD/D.SINISI

THIS DRAWING IS A CONTROLLED DOCUMENT.		DWN O. HU 19DEC2006	TE Connectivity		
		CHK S. HOU 19DEC2006			
DIMENSIONS: MM		APVD W.J. KE 19DEC2006	NAME		
		PRODUCT SPEC 108-57175	2.5mm PITCH EMIX POST HEADER, VERTICAL TYP		
		QUALIFICATION TEST REPORT 501-57195	RESTRICTED TO		
MATERIAL SEE NOTE		WEIGHT --	SIZE A3	CAGE CODE 00779	DRAWING NO C=1470224
FINISH SEE NOTE		CUSTOMER DRAWING	SCALE --	SHEET 1 OF 2	REV E1

THIS DRAWING IS UNPUBLISHED.

RELEASED FOR PUBLICATION

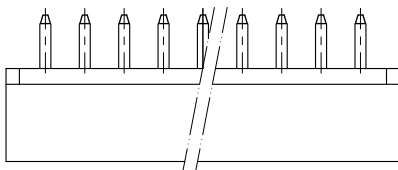
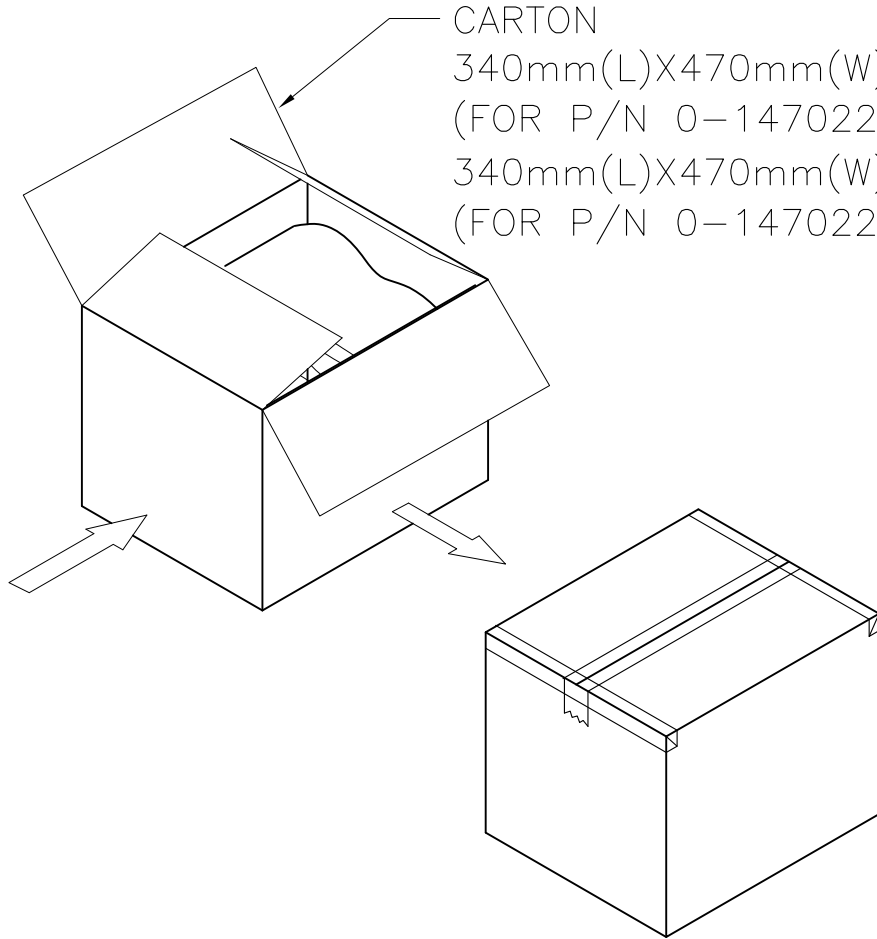
-. - .

© COPYRIGHT BY TYCO ELECTRONICS CORPORATION. ALL RIGHTS RESERVED.

LOC	DIST	REVISIONS					
DW	-	P	LTR	DESCRIPTION	DATE	DWN	APVD
		SEE SHEET 1.					

CARTON
 340mm(L)X470mm(W)X158mm(H)
 (FOR P/N 0-1470224-2~0-1470224-5)
 340mm(L)X470mm(W)X316mm(H)
 (FOR P/N 0-1470224-6~1-1470224-5)

POLY BAG



APQ (PCS/CARTON)	PPQ (PCS/BAG)	PART NUMBER	
12,960	180	3-1470224-5	1-1470224-5
12,000	200	3-1470224-4	1-1470224-4
14,400	200	3-1470224-3	1-1470224-3
16,000	250	3-1470224-2	1-1470224-2
16,000	250	3-1470224-1	1-1470224-1
20,000	250	3-1470224-0	1-1470224-0
21,600	300	2-1470224-9	0-1470224-9
25,200	350	2-1470224-8	0-1470224-8
28,000	350	2-1470224-7	0-1470224-7
35,000	350	2-1470224-6	0-1470224-6
20,000	500	2-1470224-5	0-1470224-5
24,000	600	2-1470224-4	0-1470224-4
30,000	750	2-1470224-3	0-1470224-3
36,000	1000	2-1470224-2	0-1470224-2

THIS DRAWING IS A CONTROLLED DOCUMENT.

DWN	O. HU	19DEC2006	 TE Connectivity	2.5mm PITCH EMIX POST HEADER, VERTICAL TYP
CHK	S. HOU	19DEC2006		
APVD	W.J. KE	19DEC2006		
PRODUCT SPEC				
APPLICATION SPEC			NAME	
WEIGHT			SIZE	A3
CUSTOMER DRAWING			CAGE CODE	00779
			DRAWING NO	C=1470224
			RESTRICTED TO	-
			SCALE	-
			SHEET	2 OF 2
			REV	E1

Mouser Electronics

Authorized Distributor

Click to View Pricing, Inventory, Delivery & Lifecycle Information:

[TE Connectivity:](#)

[1470224-3](#)