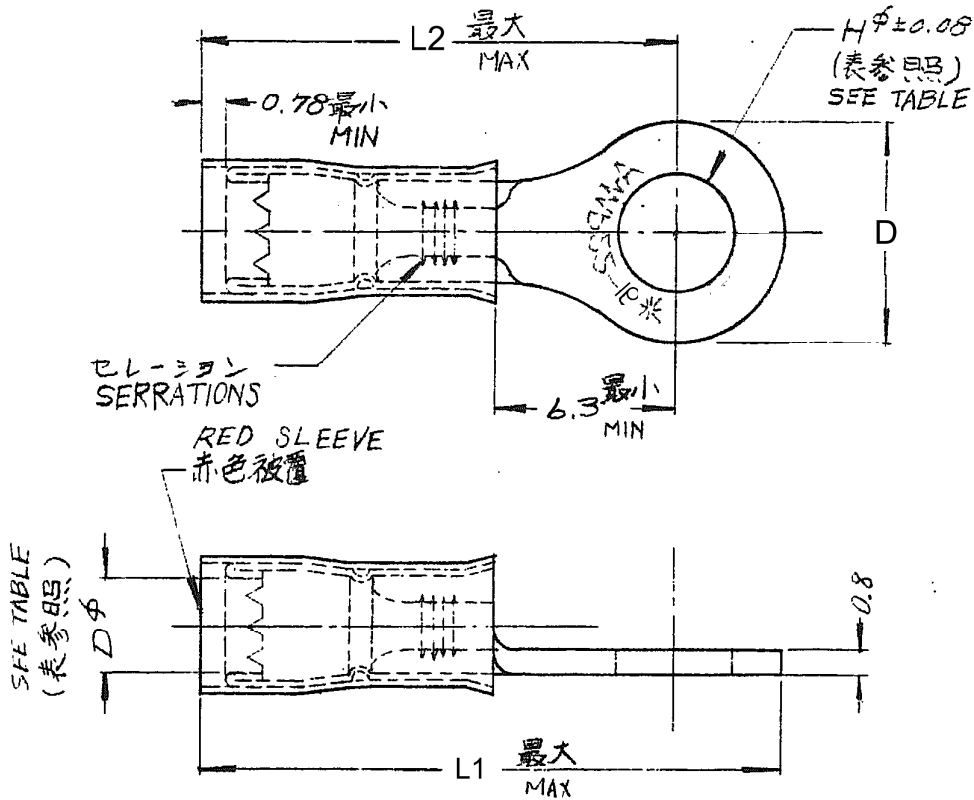


△ OBSOLETE PARTS: OBSOLETE CIS STREAMLINING PER D.RENAUD/D.SINISI

C-171508



所製品番号	STUD SIZE		INSULATION DIA			
	スタッドサイズ	Hφ	被覆外径 D	L1	L2	D
171508-1	#6	3.68	2.03~3.18	20.3	16.7	7.1
-2	#8	4.34	2.03~3.18	20.3	16.7	7.1
-3	#10	5	2.03~3.18			OBSOLETE
-4	#6	3.68	2.67~3.56	20.3	16.7	7.1
-5	#8	4.34	2.67~3.56	20.3	16.7	7.1
-6	#10	5	2.67~3.56			OBSOLETE
-7	5mm	5.26	2.03~3.18			OBSOLETE △
-8	5mm ③	5.2	2.67~3.56	21.4	17.5	7.9
171508-9	#4	3.02	2.03~3.18			OBSOLETE

単位: 純 DIMENSIONS IN MM DO NOT SCALE PRINT

K	REVISED PER ECR-17-018225	Y.O	E.T	27DEC17	参考図面 (CUSTOMER COPY) (REFERENCE ONLY)	
J	REVISED PER ECR-17-007066	T.G	N.Y	26MAY17	材料 MATERIAL: 電線銅 COPPER	TE Connectivity
H	OBSOLETE	Y.O	N.Y	14APR17	材料 FINISH: ANNEAL TIN PL 焼付乳 銅めっき	
G	Change Applicable Body	Y.O	N.Y	23JAN17	仕合電線規格 WIRE RANGE: 0.26~1.04 mm (AWG 22-16)	分組 CLASS: _____
F2	REVISED PER ECO-11-005030	RK	HMR	23MAR11	仕様仕様 INSULATION DIA: 表参照 SEE TABLE	形式 TYPE: P.I.D.G. フリテジエイト ワイヤトクソツ
A	LTR 変更 REVISION RECORD	DR	CHK.	DATE	一般公差 TOLERANCE EXCEPT AS NOTED: ±0.4 / ±1.0	分組 SCALE: 4-1
C	DR: [Signature]	DE: [Signature]	APP: [Signature]	CHK: [Signature]	LOF: _____	SIZE: _____
					品名 NAME: 丸型端子 WIRE TERMINAL ASSEMBLY	REV: K

Mouser Electronics

Authorized Distributor

Click to View Pricing, Inventory, Delivery & Lifecycle Information:

[TE Connectivity:](#)

[171508-8](#)