

THIS DRAWING IS UNPUBLISHED.

RELEASED FOR PUBLICATION

ALL RIGHTS RESERVED.

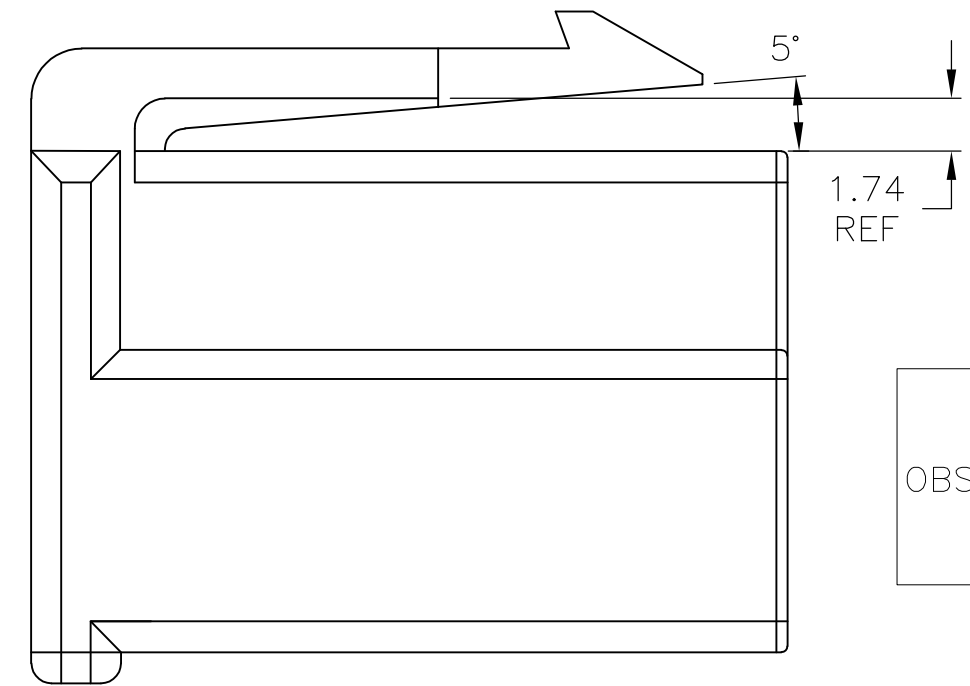
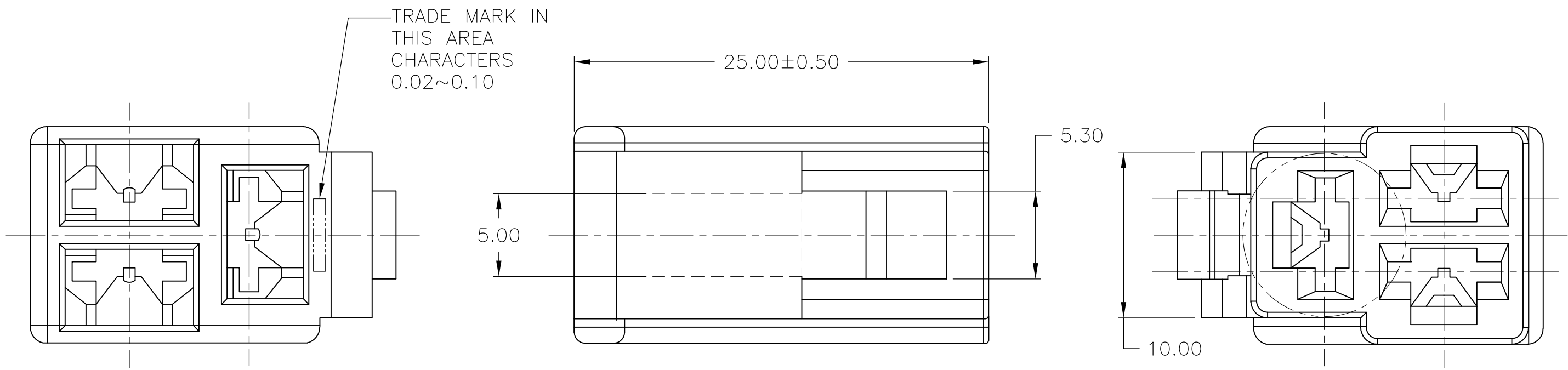
© COPYRIGHT - By -

LOC

DIST

REVISIONS

P	LTR	DESCRIPTION	DATE	DWN	APVD
	A	NEW DRAWING	09DEC2014	NK	LP



OBSOLETE	250 FASTON 3P PLUG HOUSING	174200-7
	250 FASTON 3P PLUG HOUSING	174200-5
	250 FASTON 3P PLUG HOUSING	174200-2
	250 FASTON 3P PLUG HOUSING	174200-1
DESCRIPTION		PART NUMBER

THIS DRAWING IS A CONTROLLED DOCUMENT.		DWN	09DEC2014	STE TE Connectivity	
		CHK	09DEC2014		
DIMENSIONS: mm		PAN, LEI		NAME	
TOLERANCES UNLESS OTHERWISE SPECIFIED:		09DEC2014		250 FASTON PLUG 3P BLACK	
0 PLC ± -		PAN, LEI		SIZE	
1 PLC ± -		PRODUCT SPEC		CAGE CODE	
2 PLC ± 0.30		APPLICATION SPEC		DRAWING NO	
3 PLC ± -		WEIGHT		RESTRICTED TO	
4 PLC ± -		-		A3 00779 C-174200	
ANGLES ± 1°		CUSTOMER DRAWING		SCALE 4:1	
MATERIAL -		FINISH -		SHEET 1 OF 1	
				REV A	

Mouser Electronics

Authorized Distributor

Click to View Pricing, Inventory, Delivery & Lifecycle Information:

[TE Connectivity:](#)

[174200-1](#)