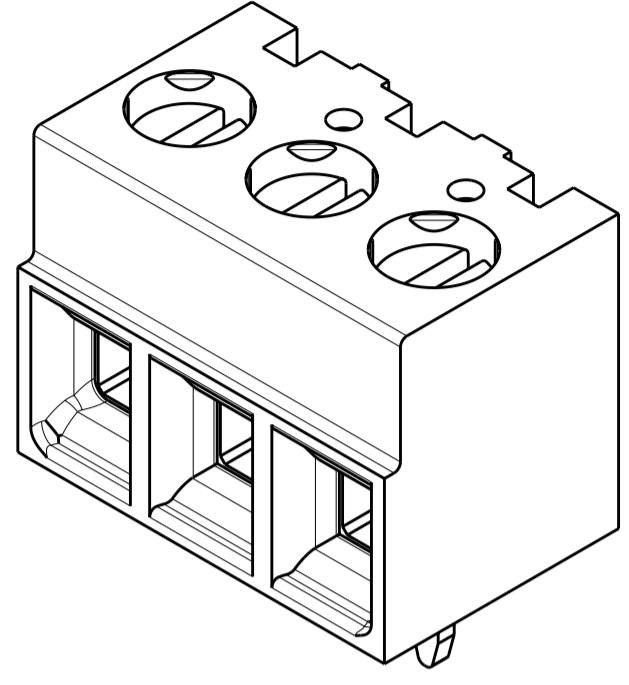
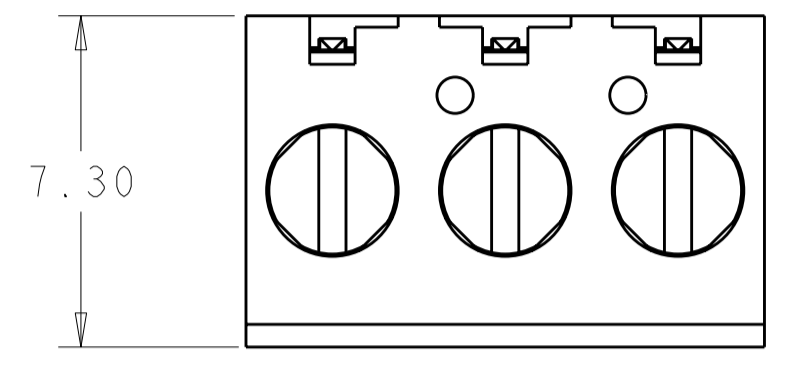


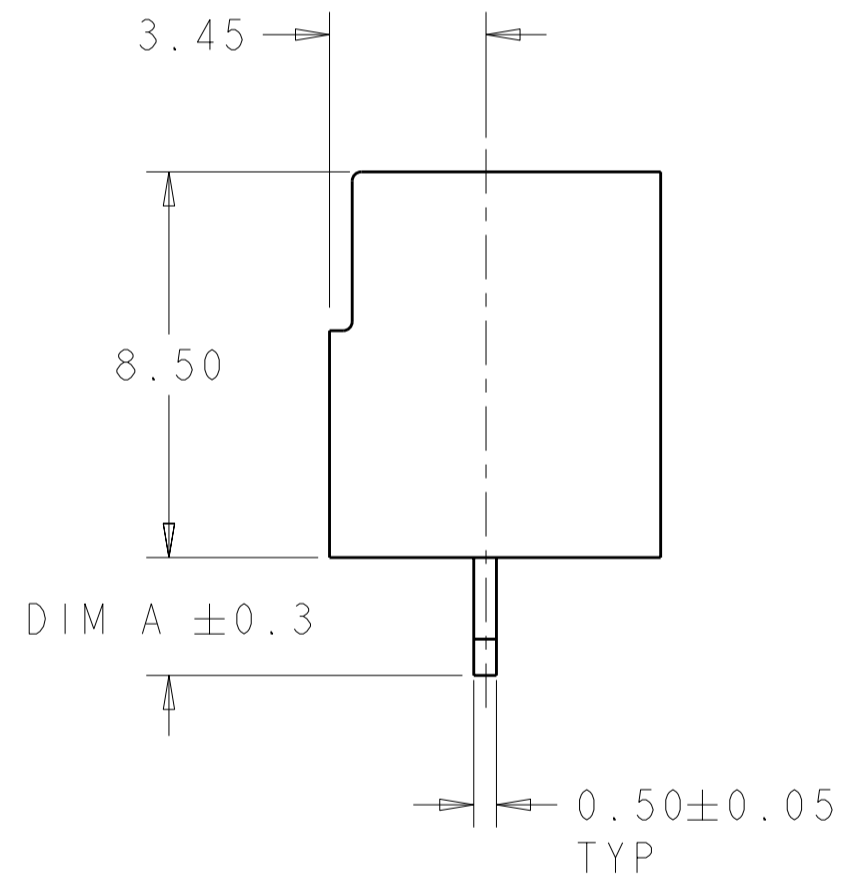
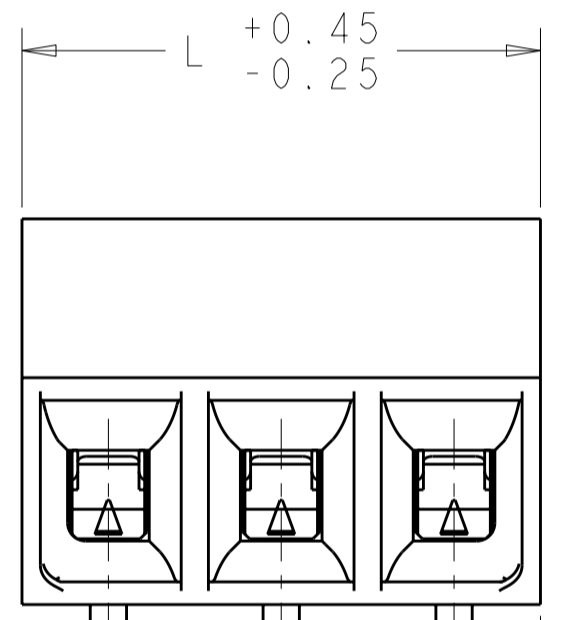
THIS DRAWING IS UNPUBLISHED. RELEASED FOR PUBLICATION 20
 © COPYRIGHT 20 BY - ALL RIGHTS RESERVED.

LOC	DIST	REVISIONS			
P	LTR	DESCRIPTION	DATE	DWN	APVD
FT	0				
	P	REVISED PER ECO-11-004820	11MAR2011	RK	HMR

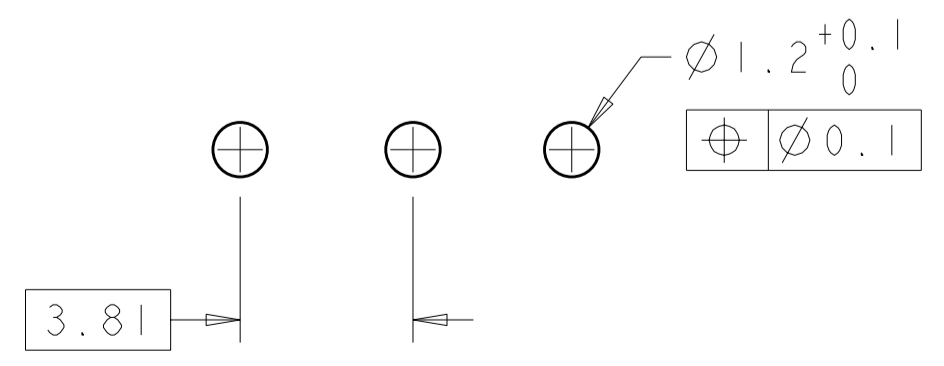
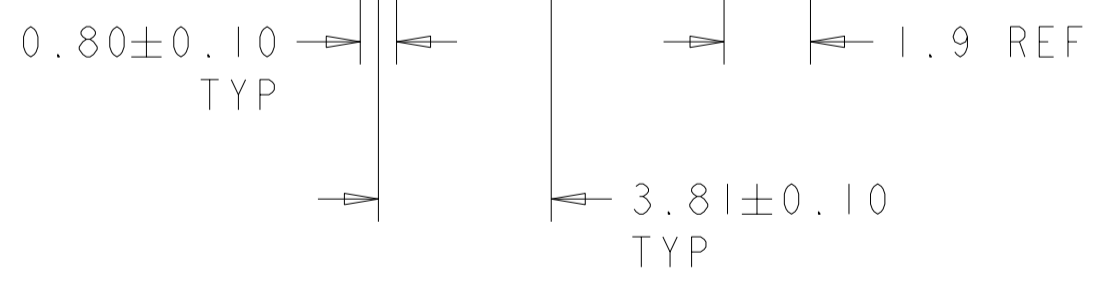


1776113-3 AS SHOWN

- ⚠ MATERIALS AND FINISH:
 HOUSING: HIGH TEMPERATURE POLYAMIDE, UL 94V-0 RATED,
 COLOR: BLACK.
 TERMINAL: COPPER ALLOY, TIN PLATED.
 CLAMP: COPPER ALLOY, NICKEL PLATED.
 CLAMPING SCREW: COPPER ALLOY, NICKEL PLATED.
- WIRE SIZE RANGE: 16-28 AWG.
 - CURRENT RATING: 12A, 150V
 OPERATING TEMPERATURE: -40°C TO +110°C
 - SUITABLE FOR 2.4mm MAX PCB BOARD THICKNESS.



SIZE	CAGE CODE	DRAWING NO	RESTRICTED TO
3.5			
45.72	12	3-1776113-2	
41.91	11	3-1776113-1	
38.10	10	3-1776113-0	
34.29	9	2-1776113-9	
30.48	8	2-1776113-8	
26.67	7	2-1776113-7	
22.86	6	2-1776113-6	
19.05	5	2-1776113-5	
15.24	4	2-1776113-4	
11.43	3	2-1776113-3	
7.62	2	2-1776113-2	
2.6			
45.72	12	1-1776113-2	
41.91	11	1-1776113-1	
38.10	10	1-1776113-0	
34.29	9	1776113-9	
30.48	8	1776113-8	
26.67	7	1776113-7	
22.86	6	1776113-6	
19.05	5	1776113-5	
15.24	4	1776113-4	
11.43	3	1776113-3	
7.62	2	1776113-2	
DIM A	L	NO OF POSN	PART NUMBER



RECOMMENDED PC BOARD LAYOUT

THIS DRAWING IS A CONTROLLED DOCUMENT. DWN S.WELDON 02JUN2005
 CHK C.RICHARD 02JUN2005
 APVD C.RICHARD 02JUN2005

STE TE Connectivity

NAME: TERMINAL BLOCK, PCB MOUNT, STRAIGHT, 8.5mm PROFILE, SIDE WIRE ENTRY, 3.81mm PITCH

SIZE: A2 CAGE CODE: 00779 DRAWING NO: 1776113

MATERIAL: TOLERANCES UNLESS OTHERWISE SPECIFIED: 0 PLC ±, 1 PLC ±0.3, 2 PLC ±0.25, 3 PLC ±0.000, 4 PLC ±0.000 ANGLES FINISH:

WEIGHT: - APPLICATION SPEC: - PRODUCT SPEC: -

CUSTOMER DRAWING SCALE: 6:1 SHEET 1 OF 1 REV P

Mouser Electronics

Authorized Distributor

Click to View Pricing, Inventory, Delivery & Lifecycle Information:

[TE Connectivity:](#)

[1776113-6](#)