

6

5

4

3

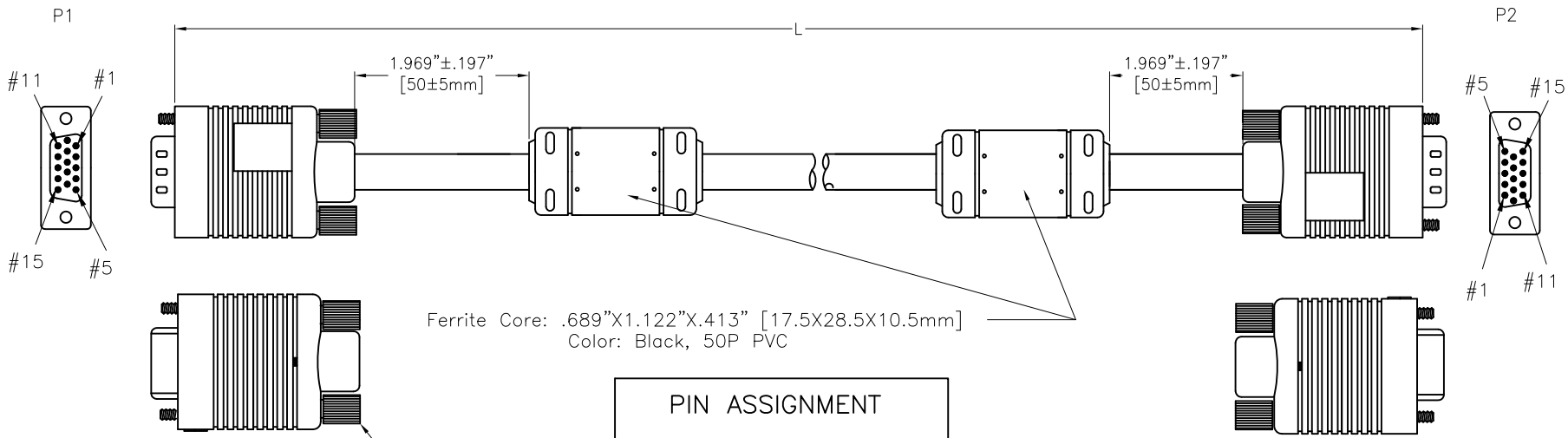
2

1

Rev	AWO #	Description	Date	Appr
-		RELEASED	10/13/15	

APPROVED: _____
 DATE: _____ TITLE: _____

CUSTOM CABLE ASSEMBLIES ARE NON-CANCELLABLE/NON-RETURNABLE



Ferrite Core: .689"X1.122"X.413" [17.5X28.5X10.5mm]
 Color: Black, 50P PVC

Screw: QE39.6, Color: Black

PIN ASSIGNMENT

P1		P2
1	COAX-RED-IN	1
6	COAX-RED-GND	6
2	COAX-GRN-IN	2
7	COAX-GRN-GND	7
3	COAX-BLU-IN	3
8	COAX-BLU-GND	8
4		4
5		5
10		10
11		11
12		12
13		13
14		14
15		15
S		S

ADAM P/N	L
CA-VGA-M/M-3FT	36.024"±1.181" [915±30mm]
CA-VGA-M/M-6FT	72.047"±1.969" [1830±50mm]
CA-VGA-M/M-10FT	120.079"±1.969" [3050±50mm]

SPECIFICATIONS:

Connector:
 P1=P2= High Density D-Sub Connector 15P, VGA Plug,
 Insulator Color: Blue, Overmold Color: Black, 50P PVC

Cable:
 UL2919, 28/28-3C/9+A+D+B, OD: .315" [8mm], Jacket Color: Black

Electrical Test:
 All Assemblies must be 100% Tested for
 Shorts, Open, Continuity, and Physical Appearance.

Environmental:
 Lead free, RoHS compliant



UNLESS OTHERWISE SPECIFIED
 ALL DIMENSIONS ARE INCHES [MM]
 TOLERANCES: EXCEPT AS NOTED

INCHES		HOLES	
.X	± .10	Ø.X	±.10
.XX	± .020	Ø.XX	±.015
.XXX	± .015	Ø.XXX	±.010

APPROVALS		DATE
DRAWN	HR	10/13/15
CHECKED	TW	10/13/15
APPROVED		

ADAM TECH

909 Rahway Avenue, Union, NJ 07083
 Phone: 908-687-5000 Fax: 908-687-5710

TITLE CUSTOM ASSEMBLY, VGA PLUG TO VGA PLUG			
SIZE X	PART NO. CA-VGA-M/M-XFT	REV. -	
REF: S00087T	SCALE: NTS	SHEET 1 OF 1	

6

5

4

3

2

1