

MACX MCR-PTB

Order No.: 2865625



Power and error message module

Commercial data

EAN	4046356324618
Pack	1
Customs tariff	85389091
Weight/Piece	150.80 g
Country of Origin	DE
Catalog page information	Page 445 (IF-2009)

Product notesWEEE/RoHS-compliant since:
28/05/2008

Please note that the data given here has been taken from the online catalog. For comprehensive information and data, please refer to the user documentation at <http://www.download.phoenixcontact.com>. The General Terms and Conditions of Use apply to Internet downloads.

Technical data**Measuring input**

Voltage input signal	19.2 V DC ... 30 V DC
----------------------	-----------------------

Measurement output

Max. current output signal	3.75 A
----------------------------	--------

Connection data

Conductor cross section solid min.	0.2 mm ²
------------------------------------	---------------------

Conductor cross section solid max.	2.5 mm ²
Conductor cross section stranded min.	0.2 mm ²
Conductor cross section stranded max.	2.5 mm ²
Conductor cross section AWG/kcmil min.	24
Conductor cross section AWG/kcmil max	14
Screw thread	M3
Type of connection	Screw connection
Tightening torque, min	0.5 Nm
Tightening torque max	0.6 Nm

General data

Ambient temperature (operation)	-20 °C ... 60 °C (Any mounting position)
Ambient temperature (storage/transport)	-40 °C ... 80 °C
Permissible humidity (operation)	5 % ... 95 % (no condensation)
Status display	1 x red LED (error) 2 x green LEDs (PWR1 and PWR2)
Width	17.5 mm
Height	99 mm
Depth	114.5 mm
Inflammability class acc. to UL 94	V0
Housing material	Polyamide (PA 6.6)
Color	green
Conformance	CE-compliant
ATEX	Ex II 3 G Ex nAC IIC T4 X
IECEX	Ex nAC IIC T4 X
UL, USA / Canada	UL applied for

Certificates



Certification

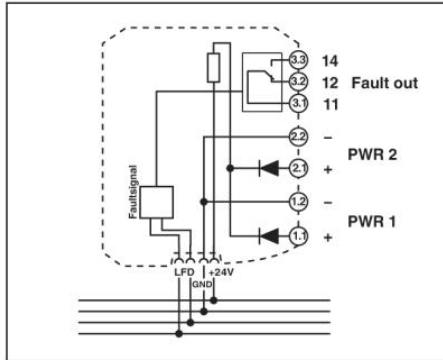
CUL Listed, UL Listed

Certification Ex:

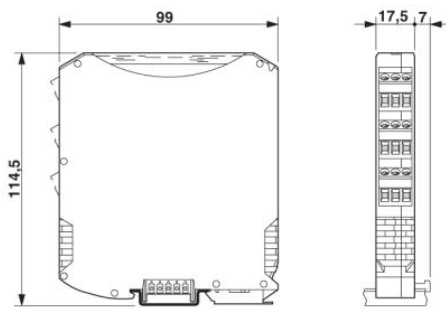
IECEX, PxC-EX

Drawings

Block diagram



Dimensioned drawing



Address

PHOENIX CONTACT Ltd
Halesfield 13
Telford / Shropshire / TF7 4PG,England
Phone 01952 681 700
Fax 01952 681 799
<http://www.phoenixcontact.co.uk>



Phoenix Contact Ltd.
Technical modifications reserved;
