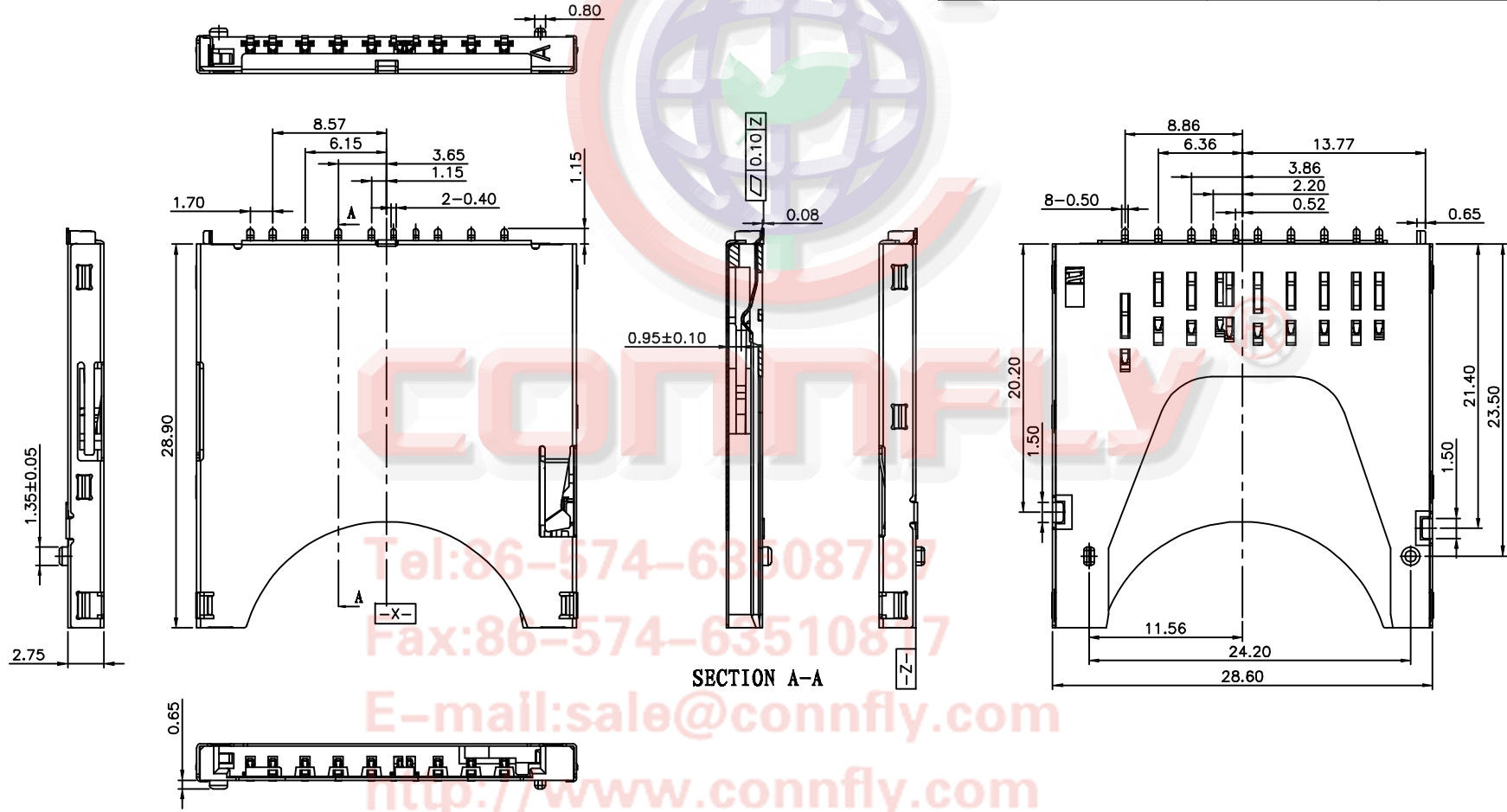


REV.	DESCRIPTION	DRAWN	CHECKED	APPROVED
A	NEW RELEASE	JLZ 10/14/14'		LJC 10/14/14'
B	DRAWING UPDATE	JLZ 05/03/17'		



Tel: 86-574-63508787  
 Fax: 86-574-63510877  
 E-mail: sale@connfly.com  
 http://www.connfly.com  
 Add: East Industry Zone KuangYan  
 Town Cixi Ningbo China  
 P: 0574-5333

CIRCUIT:		
WP	GROUND	WP
CD	#3	CD
WITHOUT CARD		GROUND
WP	GROUND	WP
CD	#3	CD
CARD INSERTED		GROUND
WRITE PROTECT: LOCK		#3
WP	GROUND	WP
CD	#3	CD
CARD INSERTED		GROUND
WRITE PROTECT: UNLOCK		#3

GENERAL TOLERANCE	ANGLE TOLERANCE
X. ±0.60	X. ±5°
.X ±0.38	.X ±3°
.XX ±0.25	.XX ±2°

PROJECTION	TITLE
	SD CARD PUSH-PUSH POST φ1.35mm H=2.75MM
UNITS	mm
SHEET SIZE	A4
SERIES	DS1139-01 SERIES

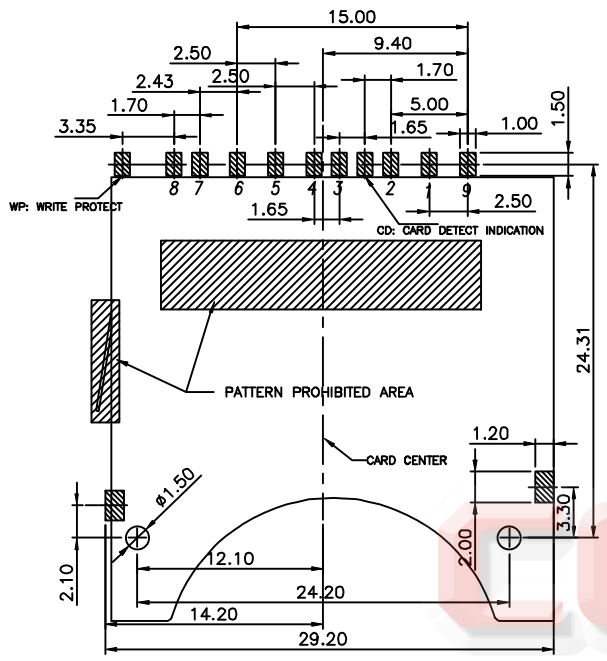
DRAWING TYPE	CUSTOMER
SCALE	1:1 SHEET 1 OF 3
DRAWING NO.	C-DS1139-01-XXXXXX-B

晨翔电子有限公司  
**CONNFLY® CONNFLY ELECTRONIC CO., LTD**

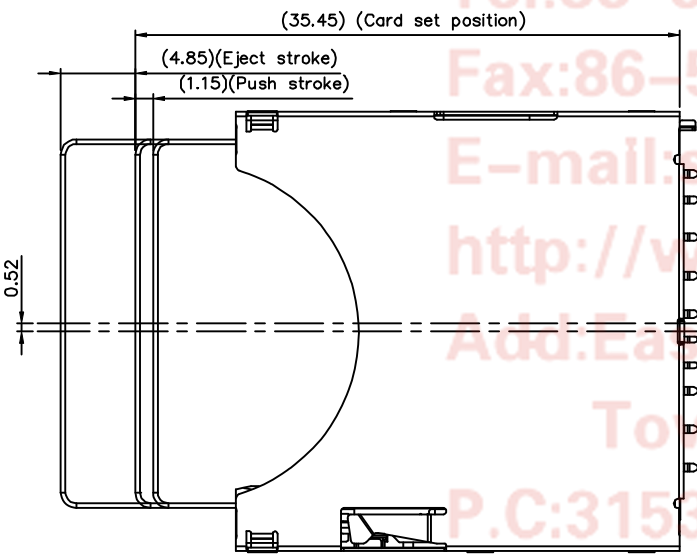
REV.	DESCRIPTION	DRAWN	CHECKED	APPROVED
A	NEW RELEASE	JLZ 10/14/14'		LJC 10/14/14'
B	DRAWING UPDATE	JLZ 05/03/17'		

- Notes:
- Material:
    - Insulator: High Temperature LCP UL94V-0 Color of Black.
    - Contacts: Copper Alloy.
    - Shell: Stainless Steel.
  - Finsh:
    - Solder Area: Matte Tin.
    - Contact Area: Gold Over Nickel.
  - Specifications:
    - Operate Temperature:  $-40^{\circ}\text{C} \sim +85^{\circ}\text{C}$
    - Insulation Resistance: 1000M $\Omega$  Min.
    - Contact Resistance: 100m $\Omega$  max.
    - Withstanding Voltage: 500V AC 1min.
    - Operating Voltage: 30V AC/DC.
    - Current Rating: 0.5A
  - Product Number Code:  
DS1139-01 - XX X X X X X X

	PIN NO.	SD	MMC
P1	MMC-DAT3 SD-CD/DAT3	1P	1P
P2	MMC-CMD SD-CMD	2P	2P
P3	MMC-VSS1 SD-VSS1	3P	3P
P4	MMC-VDD SD-VDD	4P	4P
P5	MMC-CLK SD-CLK	5P	5P
P6	MMC-VSS2 SD-VSS2	6P	6P
P7	MMC-DAT0 SD-DAT0	7P	7P
P8	SD-DAT1	8P	
P9	SD-DAT2	9P	



RECOMMENDED PCB LAYOUT  
(ALL TOLERANCE ARE  $\pm 0.05$ )



- Packing Type  
R: Tape On Reel
- Shell Plating  
S: Stainless
- Housing color  
B: Black
- Contact Plating  
0: Selective gold flash  
4: Selective 3u" gold  
J: Selective 5u" gold  
1: Selective 10u" gold
- Mounting type  
S: SMT type
- Connector type  
S: Socket
- No. of contacts  
09:9pin

Tel:86-574-63508787  
Fax:86-574-63510817  
E-mail:sale@connfly.com  
http://www.connfly.com  
Add:East Industry Zone KuangYan  
Town Cixi Ningbo China  
P.C:315333

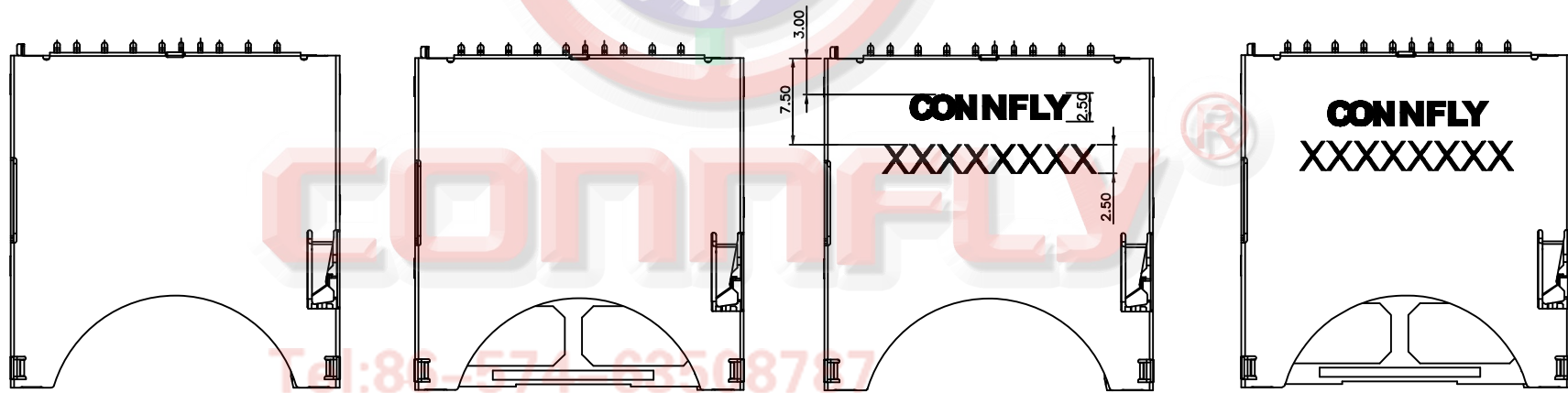
GENERAL TOLERANCE		ANGLE TOLERANCE	
X.	$\pm 0.60$	X.	$\pm 5^{\circ}$
.X	$\pm 0.38$	.X	$\pm 3^{\circ}$
.XX	$\pm 0.25$	.XX	$\pm 2^{\circ}$

PROJECTION	TITLE	SD CARD PUSH-PUSH POST $\phi 1.35\text{mm}$ H=2.75MM	
UNITS	mm	SHEET SIZE	A4
SHEET SIZE	A4	SERIES	DS1139-01 SERIES

DRAWING TYPE	CUSTOMER		
SCALE	1:1	SHEET	2 OF 3
DRAWING NO.	C-DS1139-01-XXXXXX-B		

晨翔电子有限公司  
**CONNFLY® CONNFLY ELECTRONIC CO., LTD**

REV.	DESCRIPTION	DRAWN	CHECKED	APPROVED
A	NEW RELEASE	JLZ 10/14/14'		LJC 10/14/14'
B	DRAWING UPDATE	JLZ 05/03/17'		



普通型

带假卡

喷码

带假卡+喷码

NOTES: XXXXXX: Year Month Day, e.g. Oct 14th, 2014,  
jet printing 20141014

Fax:86-574-63510817  
E-mail:sale@connfly.com  
http://www.connfly.com  
Add:East Industry Zone KuangYan  
Town Cixi Ningbo China  
P.C:315333

GENERAL TOLERANCE		ANGLE TOLERANCE		PROJECTION		TITLE	SD CARD PUSH-PUSH POST $\phi$ 1.35mm H=2.75MM			
X.	$\pm 0.60$	X.	$\pm 5^\circ$	UNITS	mm					
.X	$\pm 0.38$	.X	$\pm 3^\circ$	SHEET SIZE	A4	SERIES	DS1139-01 SERIES			
.XX	$\pm 0.25$	.XX	$\pm 2^\circ$							
DRAWING TYPE		CUSTOMER				晨翔电子有限公司 CONNFLY® CONNFLY ELECTRONIC CO., LTD				
SCALE		1:1	SHEET						3 OF 3	
DRAWING NO.		C-DS1139-01-XXXXXX-B								