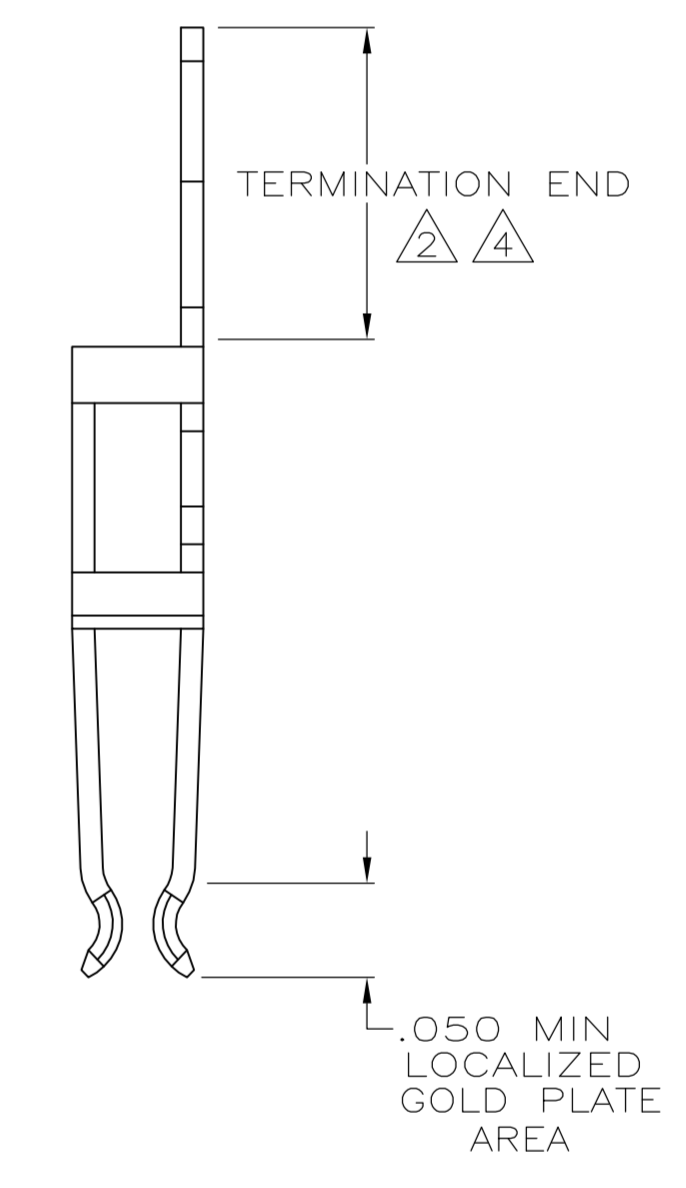
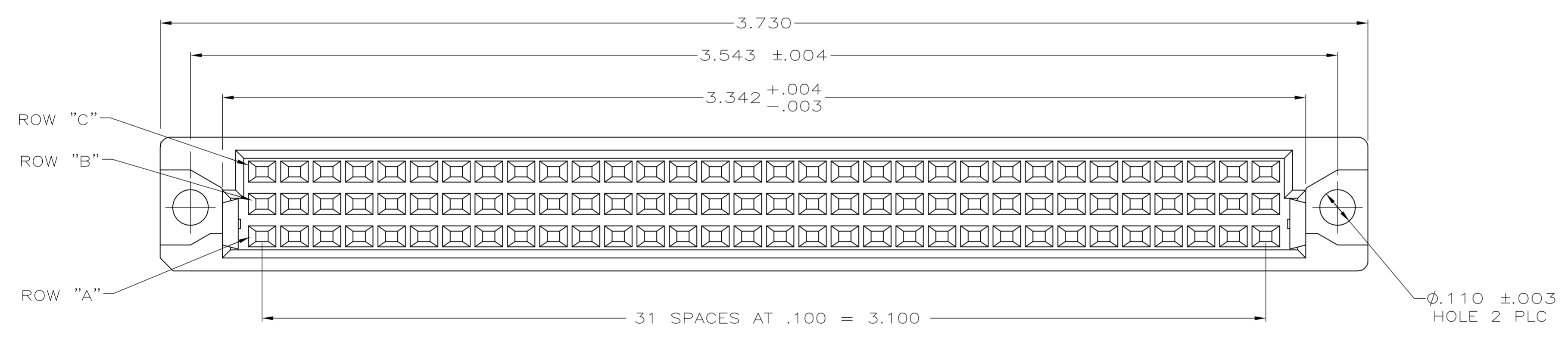


- 1. DIMENSION EQUALS .568 WHEN FULLY TERMINATED.
- 2. .000030 MIN. GOLD ON GOLD PLATE AREA, .000100 MIN. BRIGHT TIN LEAD ON TERMINATION END, ALL OVER .000050 NICKEL.
- 3. ASSEMBLY DESIGNED FOR #26 AND #28 AWG STRANDED CONDUCTOR AND #26, #28 AND #30 AWG SOLID CONDUCTOR RIBBON CABLE ON .050 CENTERS.
- 4. .000030 MIN. GOLD ON GOLD PLATE AREA, .000100 MIN. BRIGHT TIN ON TERMINATION END, ALL OVER .000050 NICKEL.



DETAIL Z
SCALE 10:1

	4	CONTACTS LOADED IN ROWS A & C	746603-4
OBSOLETE	2	CONTACTS LOADED IN ROWS B & C	746603-3
OBSOLETE	2	CONTACTS LOADED IN ROWS A & B	746603-2
OBSOLETE	2	CONTACTS LOADED IN ROWS A & C	746603-1

FINISH	DESCRIPTION	PART NUMBER
--------	-------------	-------------

THIS DRAWING IS A CONTROLLED DOCUMENT. DIMENSIONING AND TOLERANCING PER ASME Y14.5M-2009

DIMENSIONS: INCHES	TOLERANCES UNLESS OTHERWISE SPECIFIED:	DWG: D KEITZER 11-1-89	CHK: -	APVD: -	NAME: -
0 PLC ± -	1 PLC ± -	PRODUCT SPEC: 108-46003	APPLICATION SPEC: -	SIZE: A1	CAGE CODE: 00779
2 PLC ± -	3 PLC ± .005	WEIGHT: -	SCALE: 4:1	SHEET: 1 of 1	REV: H
4 PLC ± -	ANGLES ± 1°	CUSTOMER DRAWING	STE TE Connectivity		

ASSEMBLY, EUROLATCH AMP-LATCH

Mouser Electronics

Authorized Distributor

Click to View Pricing, Inventory, Delivery & Lifecycle Information:

[TE Connectivity:](#)

[746603-4](#)