

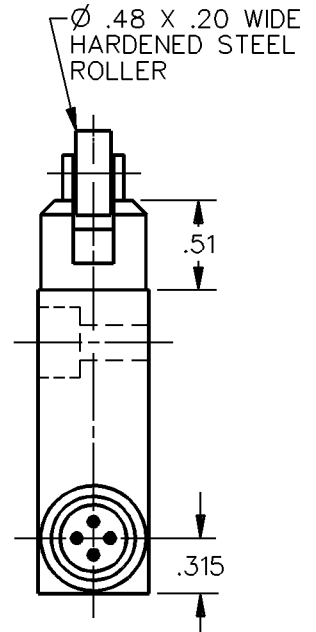
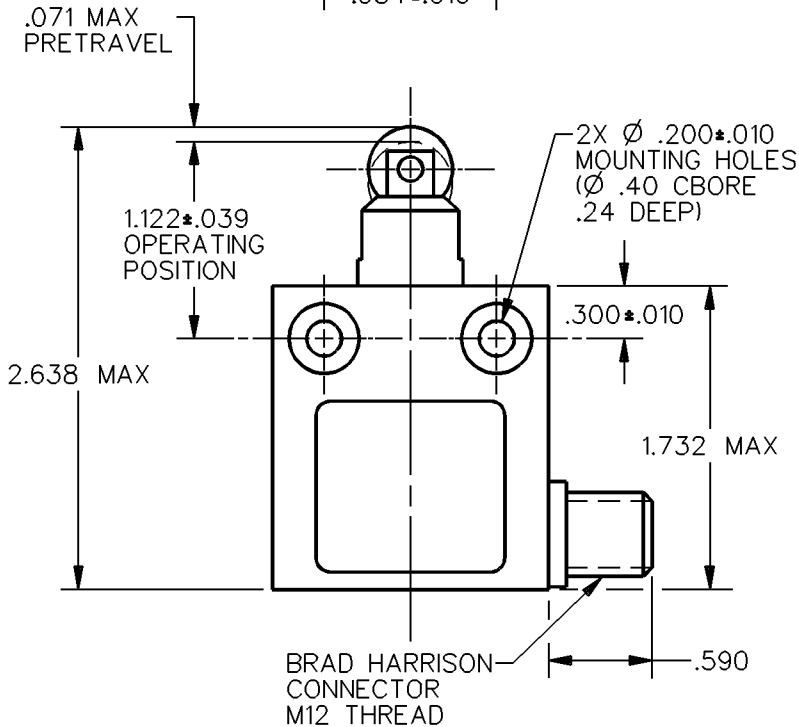
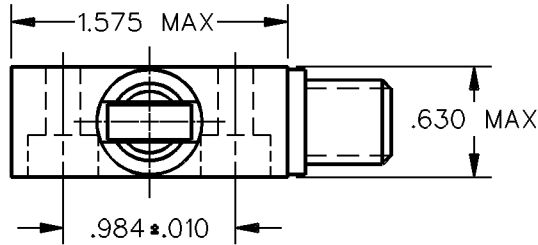
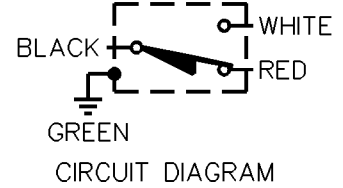
MICRO SWITCH
a Honeywell Division

FED. MFG. CODE 91929

**MINIATURE PRECISION
LIMIT SWITCH**

CATALOG LISTING

912CE2-AQ

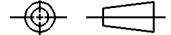


- NOTES
1 - ZINC HOUSING FINISHED WITH GRAY PAINT
2 - SIDE EXIT CONNECTOR

ANSI Y14.5M-1982 APPLIES

THIS DRAWING COVERS A PROPRIETARY ITEM AND IS THE PROPERTY OF MICRO SWITCH, A DIVISION OF HONEYWELL. THIS DRAWING IS NOT TO BE COPIED OR USED WITHOUT THE APPROVAL OF MICRO SWITCH.

THIRD ANGLE PROJECTION



CHARACTERISTICS	ELECTRICAL DATA CONTACT ARRANGEMENT S P D T	SCALE	FULL	DO NOT SCALE PRINT
		OPERATING FORCE — — — 2.7 LB MAX RELEASE FORCE — — — — 1.0 LB MIN DIFFERENTIAL TRAVEL — — — .004 MAX OVERTRAVEL — — — — — .118 MIN	5A - 250 VAC 1/10HP - 125 OR 250 VAC 	UNLESS OTHERWISE SPECIFIED TOLERANCES ARE ONE PLACE (.0) ±.030 TWO PLACE (.00) ±.015 THREE PLACE (.000) ±.005 ANGLES ± WEIGHT

914CE2-AQ
 M
 DRAWING NUMBER
 1
 ISSUE
 REVISIONS
 CHECK
 CHECK
 DRAWN
 S A V 25 OCT 91
 CHECK

REPLACES
 RELEASE NO. CO-69061