

PRESSURE SWITCHES

PS83



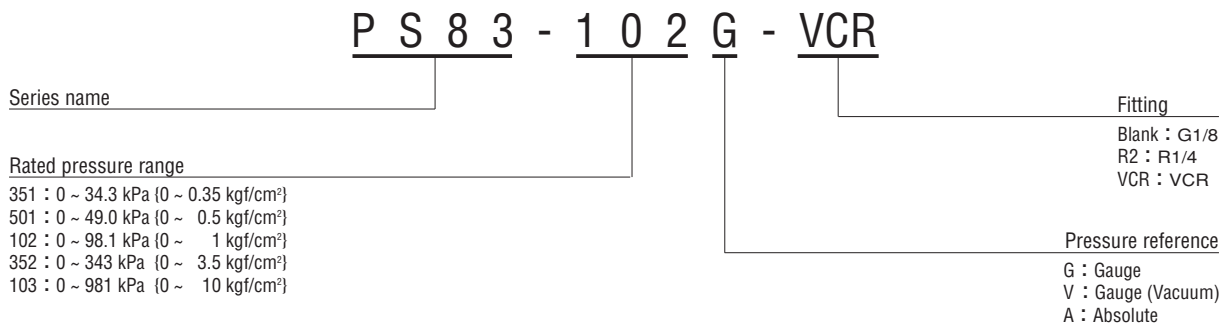
FEATURES

- Solidstate pressure switch with no mechanical moving parts
- High corrosion resistance by double diaphragm structure
- Two pressure setting points
- Wide pressure medium compatibility
- Can be attached with a *VCR® fitting

INTERNAL STRUCTURE (G 1/8)

Part name		Material
①	Fitting	SUS 316L
②	(P15 or P12.5) "O" ring	Fluoro-rubber
③	Housing	Aluminum
④	Compensation resistor board	Ceramic
⑤	Sealed liquid	Silicone oil

MODEL NUMBER DESIGNATION



※ Please refer to the LIST OF MODEL NUMBERS when placing orders.

※ VCR® is a registered trade name of Cajon Co. CAJON® is a registered trade name of Swagelok Co.

Note: For handling of VCR fittings, please contact a service center of Swagelok Co.

LIST OF MODEL NUMBERS

Pressure reference Pressure port	kPa (kgf/cm ²) Rated pressure range	Gauge					Absolute	
		0 ~ 49.0 {0 ~ 0.5}	0 ~ 98.1 {0 ~ 1}	0 ~ 343 {0 ~ 3.5}	0 ~ 981 {0 ~ 10}	0 ~ -98.1 {0 ~ -1}	0 ~ 34.3 {0 ~ 0.35}	0 ~ 98.1 {0 ~ 1}
G 1/8 (PF 1/8)		PS83-501G	PS83-102G	PS83-352G	PS83-103G	PS83-102V	PS83-351A	PS83-102A
R 1/4 (PT 1/4)		PS83-501G-R2	PS83-102G-R2	PS83-352G-R2	PS83-103G-R2	PS83-102V-R2	PS83-351A-R2	PS83-102A-R2
VCR (9/16-18UNF)		PS83-501G-VCR	PS83-102G-VCR	PS83-352G-VCR	PS83-103G-VCR	PS83-102V-VCR	PS83-351A-VCR	PS83-102A-VCR

※ Verify the above model numbers when placing orders.

STANDARD SPECIFICATIONS

● Unless otherwise specified, the specs are defined at an ambient temperature of 25 ± 5 °C and excitation voltage of 12 V DC.

Item	Model number	PS83							
		501G	102G	102V	352G	103G	351A	102A	
General specifications	Pressure reference	Gauge					Absolute		
	Rated pressure range	kPa {kgf/cm ² }	49.0 {0.5}	98.1 {1}	-98.1 {-1}	343 {3.5}	981 {10}	34.3 (abs) {0.35}	98.1 (abs) {1}
	Maximum pressure	kPa {kgf/cm ² }	98.1 {1}	196 {2}		686 {7}	1961 {20}	103 (abs) {1.05}	196 (abs) {2}
	Break-down pressure	kPa {kgf/cm ² }	147 {1.5}	294 {3}		1030 {10.5}	2941 {30}	147 (abs) {1.5}	294 (abs) {3}
	Operating temp. range	°C	-20 ~ 70						
	Compensated temp. range	°C	0 ~ 50						
	Operating humidity	%RH	35 ~ 85 (No condensation)						
	Storage temp.	°C	-20 ~ 70 (Atmospheric pressure humidity 65 %RH maximum)						
	Pressure medium		Corrosive gases/liquids compatible with SUS 316L ※ 1						
	Insulation resistance	MΩ minimum	100 (500 V DC)						
	Dielectric strength		500 V AC, 60 s (Leakage current 1mA maximum)						
	Sealed liquid		Silicone oil						
	Pressure port		G 1/8 (PF 1/8) ※ 2, R 1/4 (PT 1/4), 1/4 VCR®						
	Net weight	g	Approx. 140						
Power	Supply voltage	V DC	12 ~ 24 ± 10 %						
	Ripple content	maximum	10 % (P-P) maximum						
	Consumption current	maximum	20 mA						

※ 1 : Also compatible with SUS316 in case of PS83-□□□□-VCR.

※ 2 : In case of G 1/8 type, An "O" ring is supplied as accessory.
(P15 for positive press., P12.5 for negative / absolute press.)

PS83

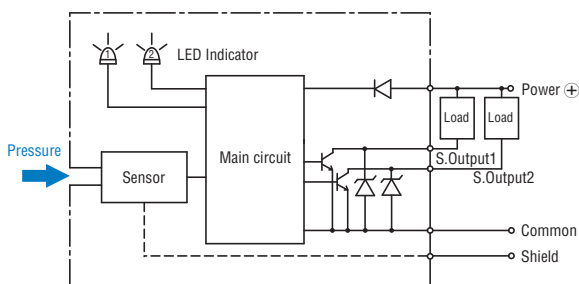
PRESSURE SWITCHES

Item		Model number	PS83					
			501G	102G	102V	352G	103G	351A
Switch output	No. of output		2					
	Output interface		NPN open collector output					
	Setting method		Adjustable by VR					
	Adjustable range		Zero through rated pressure, minimum					
	Display		Red LED (lighted when output is ON.)					
	0 ~ 50 °C Accuracy (Reference temp.: 25 °C)	% F.S.	± 3					
	Hysteresis	% F.S. maximum	2					
	Switching capacity		30 V DC 80 mA maximum					
	Residual voltage	V maximum	0.8					
	Response	ms	Approx. 2					

ENVIRONMENTAL CHARACTERISTICS

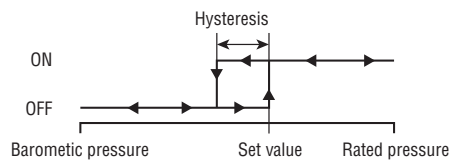
Test item	Test conditions (At 25 ± 5 °C)	Permissible change
Vibration	10 ~ 500 Hz, 1.5 mm maximum/98.1 m/s ² , 3 directions for 2 hours each	Switch output setting: ± 1 %F.S. maximum
Shock	490 m/s ² , 3 directions for 3 times each	
Pressure cycling	0 ~ Rated pressure, 10 ⁶ cycles	
Moisture resistance	40 °C, 90 ~ 95 %RH, 240 hrs.	

INTERNAL ELECTRICAL SCHEMATICS

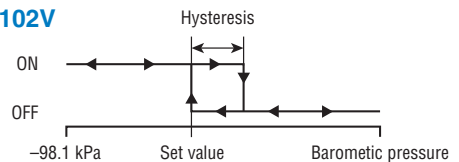


SWITCHING OPERATION

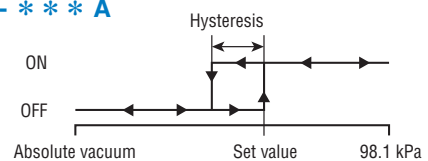
● PS83-***G



● PS83-102V



● PS83-***A

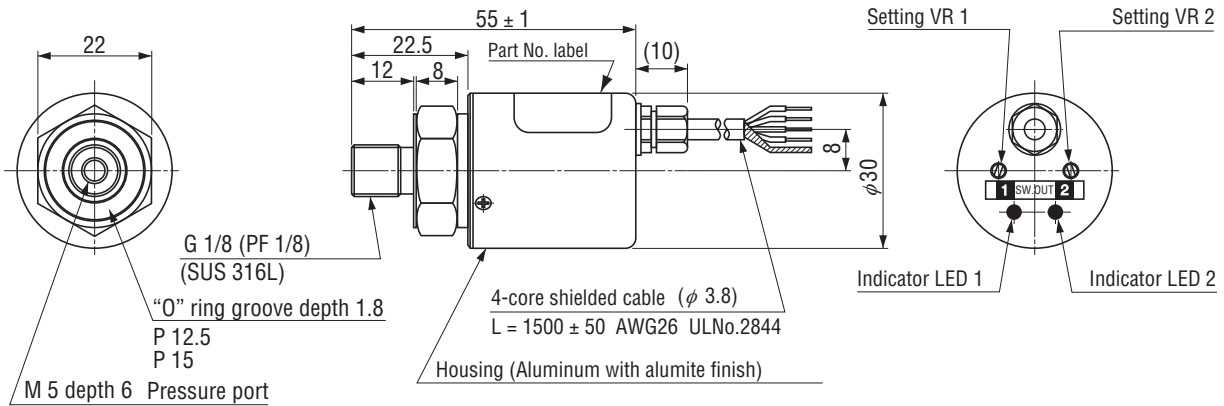


※ 2 switches show same performance.

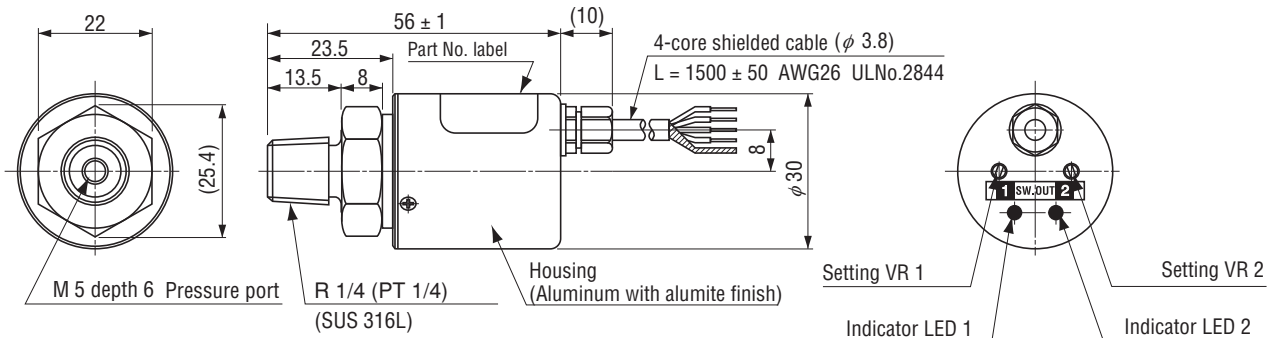
OUTLINE DIMENSIONS

Unless otherwise specified, tolerance : ± 0.5 (Unit: mm)

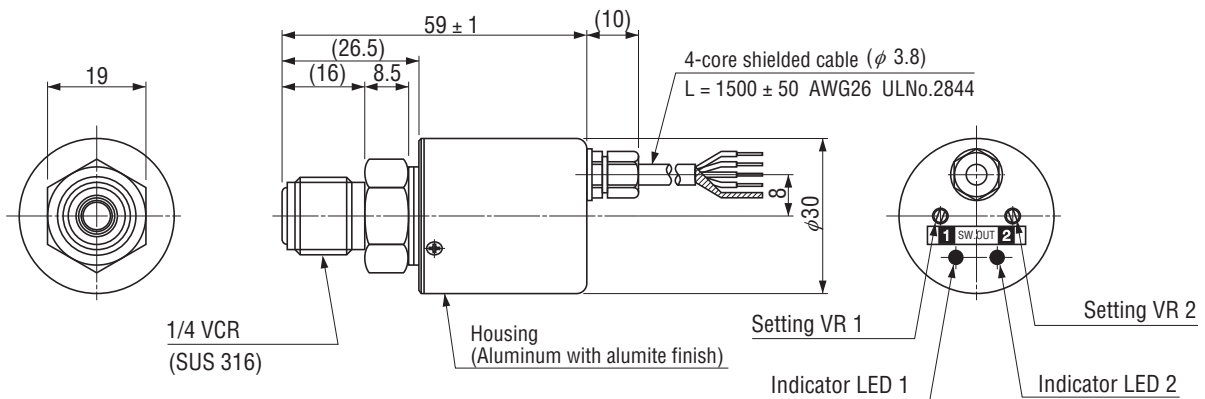
PS83 (G 1/8 type)



PS83 (R1/4 type)



PS83 (VCR type)



Wire color	Connection
Red	Power \oplus
Green	Output 1
White	Output 2
Black	Common
Shield	Fitting

Mouser Electronics

Authorized Distributor

Click to View Pricing, Inventory, Delivery & Lifecycle Information:

Nidec:

[PS83-102A](#) [PS83-102A-R2](#) [PS83-102A-VCR](#) [PS83-102G](#) [PS83-102G-R2](#) [PS83-102G-VCR](#) [PS83-501G](#) [PS83-501G-R2](#) [PS83-501G-VCR](#) [PS83-351A](#) [PS83-351A-R2](#) [PS83-351A-VCR](#) [PS83-352G](#) [PS83-352G-R2](#) [PS83-352G-VCR](#) [PS83-102V](#) [PS83-102V-R2](#) [PS83-102V-VCR](#) [PS83-103G](#) [PS83-103G-R2](#) [PS83-103G-VCR](#)