

Cleats & Cable Fixings

Fire Performance AP Clips

Application

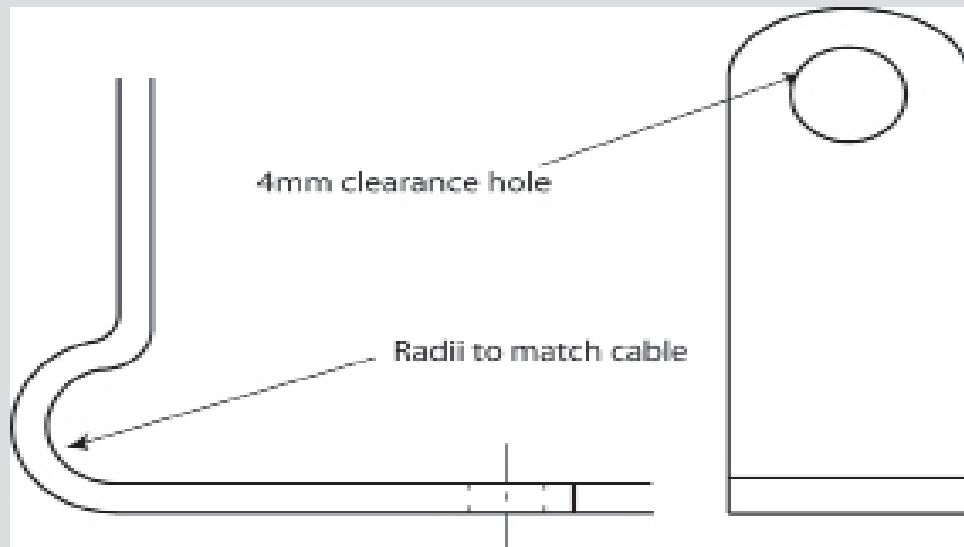
> AP Clips are suitable for the cables FP200 Gold[®], FP Plus[™], FP Plus Flex[™] and Afumex LSX[™]

Features & Benefits

- > Securely holds one cable - Ideal for single cable run
- > Ideal for visible installations
- > Made from BS EN 1652 copper strip
- > Meets the cable support requirements of BS 5839-1:2002+A2:2008
- > Has a melting point in excess of 1000°C
- > Fire tested with FP cables
- > Finished with a red or white LSOH polyester coating



Fire Performance AP Clips



Recommended Clips for FP Cables

Cross Sectional Area mm ²	FP 200 Gold [®]	FP Plus [™]	FP Plus Flex [™]	Afumex LSX [™]
Two Core				
1.0	AP7	AP8	AP8	AP7
1.5	AP7	AP9*	AP9	AP9
2.5	AP9	AP11*	AP11	AP10
4.0	AP11	—	AP12	AP11
Three Core				
1.0	AP7	AP9	AP9	AP8
1.5	AP8	AP10	AP10	AP9
2.5	AP10	—	AP11	AP10
4.0	AP12	—	AP13	AP12
Four Core				
1.0	AP8	AP10	AP10	AP9
1.5	AP9	AP11	AP11	AP10
2.5	AP11	—	AP13	AP11
4.0	AP13	—	AP15	AP13
Seven Core				
1.0	AP12	—	—	—
1.5	AP13	—	—	—
2.5	AP16	—	—	—
Twelve Core				
1.5	AP18	—	—	—
2.5	AP22	—	—	—
Nineteen Core				
1.5	AP20	—	—	—
2.5	AP25	—	—	—
		—	—	—

*New Generation FP Plus[™]

Note: See individual cable datasheets for clip spacing recommendations