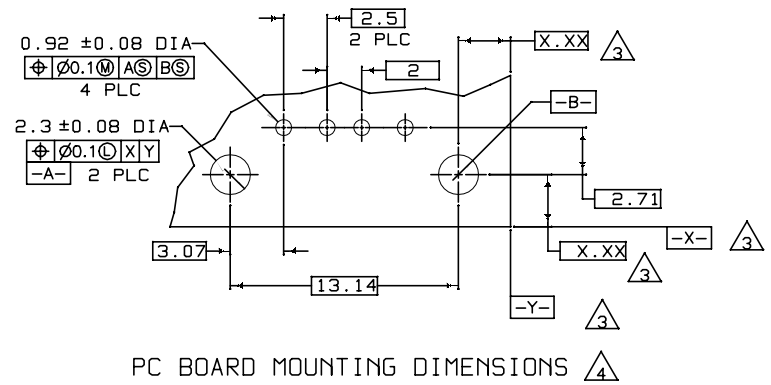
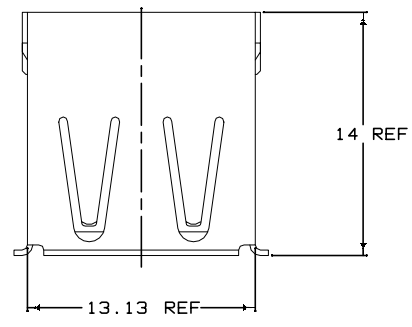
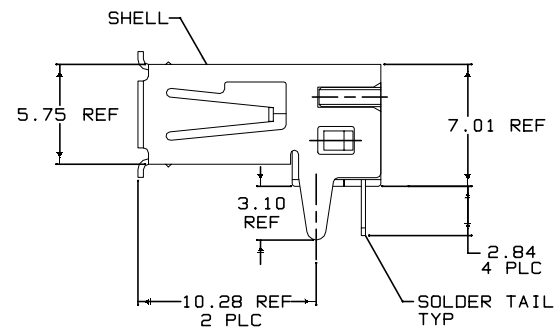
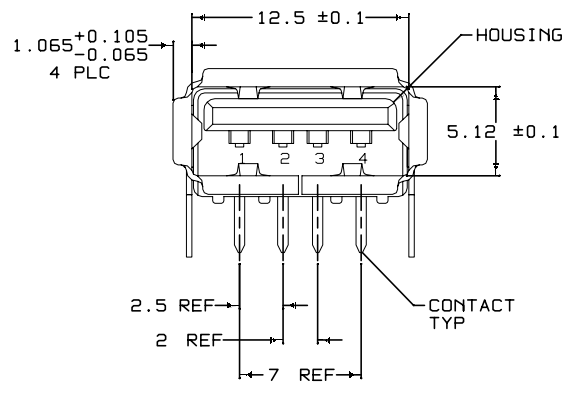


REVISIONS				
REV	LR	DESCRIPTION	DATE	BY
A2		ECR-21-105705	19MAY2021	RR SZ



PC BOARD MOUNTING DIMENSIONS Δ 4



- Δ 1 MATERIAL:
SHELL & CONTACTS- COPPER ALLOY.
HOUSING- UL 94V-0 RATED, THERMOPLASTIC, COLOR SEE TABLE.
- Δ 2 PLATING:
CONTACTS- 0.076um MINIMUM GOLD OVER 0.76um MINIMUM PALLADIUM-NICKEL ON MATING AREA.
3.8um MINIMUM MATTE TIN ON SOLDER TAILS.
BOTH OVER 1.27um MINIMUM NICKEL.
CONTACT ALTERNATE PLATING: 0.76um MIN GOLD ON MATING AREA, 3.80um MIN MATTE TIN ON SOLDER TAILS, BOTH OVER 1.27um MIN NICKEL.
SHELL: 2~5um MINIMUM BRIGHT TIN
- Δ 3 DATUM AND BASIC DIMENSIONS ESTABLISHED BY CUSTOMER.
- Δ 4 RECOMMENDED PC BOARD THICKNESS OF 1.57.

TAPE&REEL	YES	BLACK	6364372-5
TAPE&REEL	YES	NATURAL	6364372-3
TUBE	YES	NATURAL	6364372-2
TUBE	NO	BLACK	6364372-1
PACKAGING	HIGH TEMPERATURE COMPATIBLE	HOUSING COLOR	PART NUMBER

THIS DRAWING IS A CONTROLLED DOCUMENT. DWN: J.JIANG 12APR2004
 CHK: S.YAO 12APR04
 DRWG: J.LOU 12APR04

TE TE Connectivity

RECEPTACLE ASSEMBLY, RIGHT ANGLE, 4POSITION, THRU-HOLE, USB

DIMENSIONS: mm	TOLERANCES UNLESS OTHERWISE SPECIFIED:	0 PLC ± -	1 PLC ± -	2 PLC ± 0.25	3 PLC ± -	4 PLC ± -	ANGLES ± -				
MATERIAL	FINISH	WEIGHT	0	SIZE	A2	CAGE CODE	00779	DRAWING NO	6364372	RESTRICTED TO	-
CUSTOMER DRAWING		SCALE	5:1	SHEET	1 of 1	REV	A2				