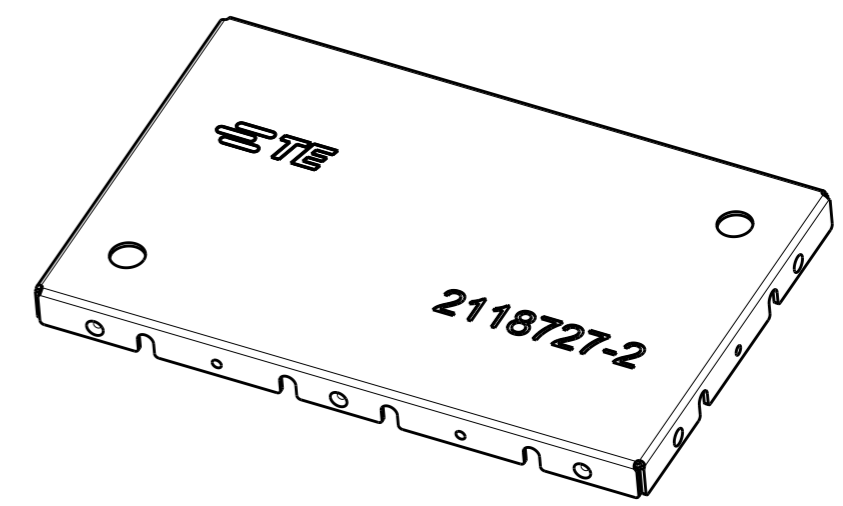
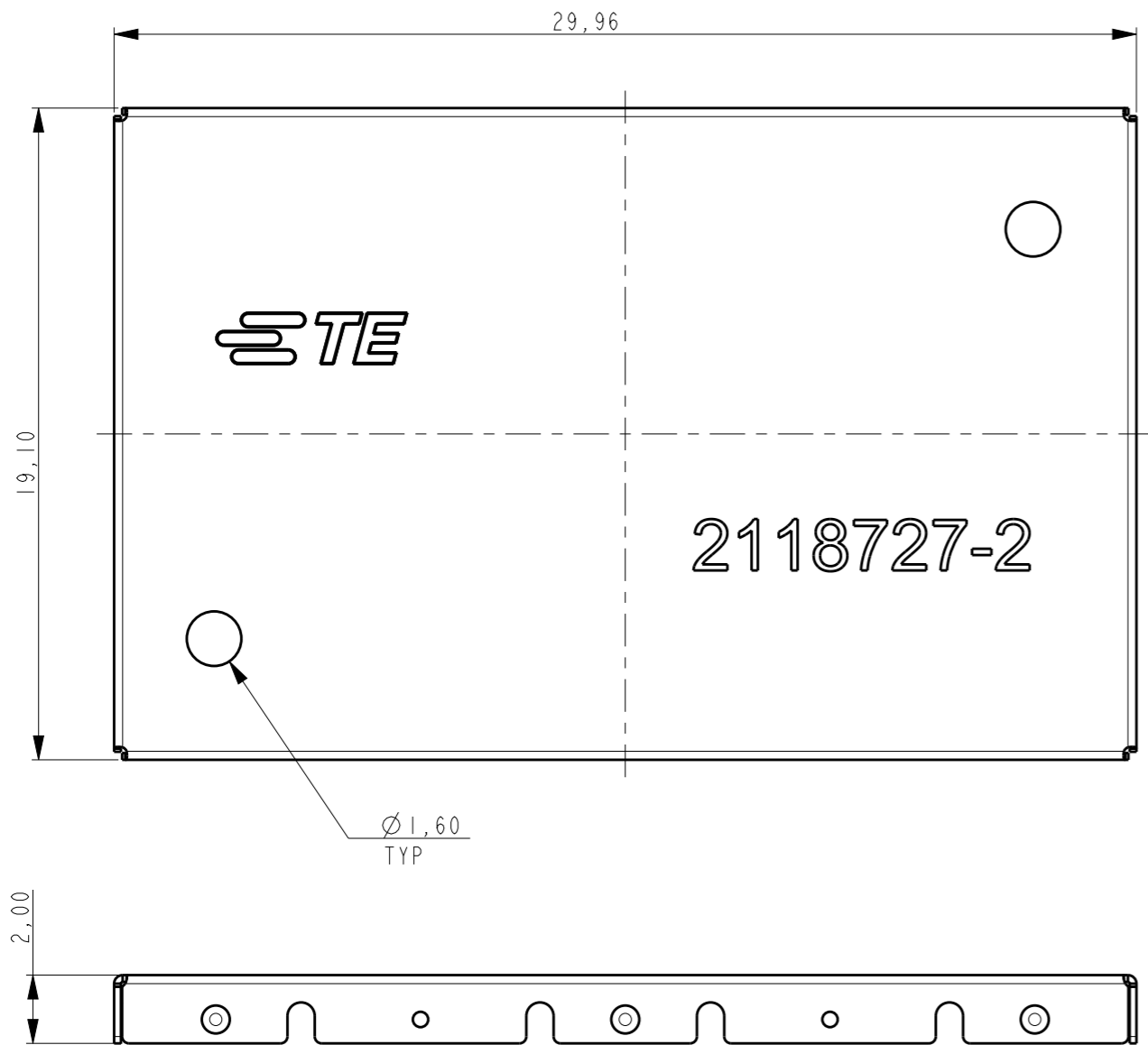


THIS DRAWING IS UNPUBLISHED. RELEASED FOR PUBLICATION
 © COPYRIGHT - BY TYCO ELECTRONICS CORPORATION. ALL RIGHTS RESERVED.

LOC	DIST	REVISIONS					
H	-	P	LTR	DESCRIPTION	DATE	DWN	APVD
			3	INCREASE LENGTH TO 29.96	17OCT2016	VL	SS
			A	DRAWING RELEASED	24APR2017	VL	SS
			A1	REVISED PER ECO-17-007644	26MAY2017	VL	SS
			A2	REVISED PER ECO-17-013857	21SEP2017	SS	HL



- NOTES: SCALE 3:1
- 1 MATERIAL: 0.20mm CRS. 1,25 - 3.00µm MATTE TIN FINISH.
 - 2 MATERIAL: 0.20mm AL. 1.20 - 2.00µm MATTE TIN FINISH OVER NICKEL FLASH.
 - 3 STAMPING BURR OUTSIDE OF PART, MAX 0.05mm.
 - 4 PARTS TO BE FREE OF OIL AND CONTAMINENTS.
 - 5 PART IS RoHS COMPLIANT PER TE CONNECTIVITY STANDARD TEC-138-702.
 - 6 REFER TO 3D MODEL FOR UNSPECIFIED DIMENSIONS.
 - 7 PACKAGING: BULK

7	2	2118727-4
7	1	2118727-2
PACKAGING	MATERIAL	PART NUMBER

THIS DRAWING IS A CONTROLLED DOCUMENT. DIMENSIONING AND TOLERANCING PER ASME Y14.5M-2009.		DWN S. SU 05-APR-16	TE Connectivity	
DIMENSIONS: mm 		CHK V. LAC 24APR2017		
TOLERANCES UNLESS OTHERWISE SPECIFIED: 0 PLC ±0.2 1 PLC ±0.15 2 PLC ±0.10 3 PLC ± 4 PLC ± ANGLES ±2°		APVD V. LAC 24APR2017	NAME STANDARD SHIELD COVER	
MATERIAL 1-		PRODUCT SPEC 108-19493	SIZE A3	
FINISH 1-		APPLICATION SPEC 114-115014	CAGE CODE 00779	DRAWING NO C-2118727
		WEIGHT -	RESTRICTED TO -	
		CUSTOMER DRAWING	SCALE 5:1	SHEET 1 OF 1 REV A2

Mouser Electronics

Authorized Distributor

Click to View Pricing, Inventory, Delivery & Lifecycle Information:

[TE Connectivity:](#)

[2118727-2](#)