

THIS DRAWING IS UNPUBLISHED.

RELEASED FOR PUBLICATION

20

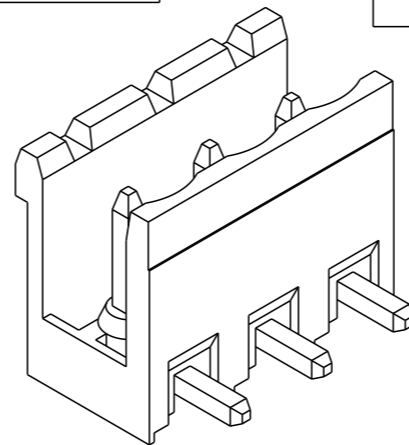
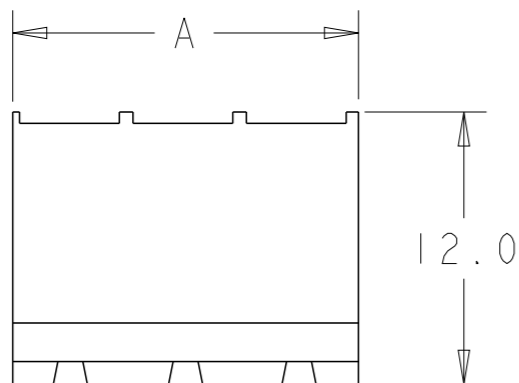
LOC

DIST

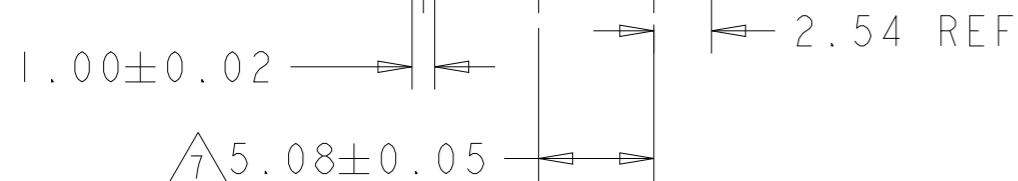
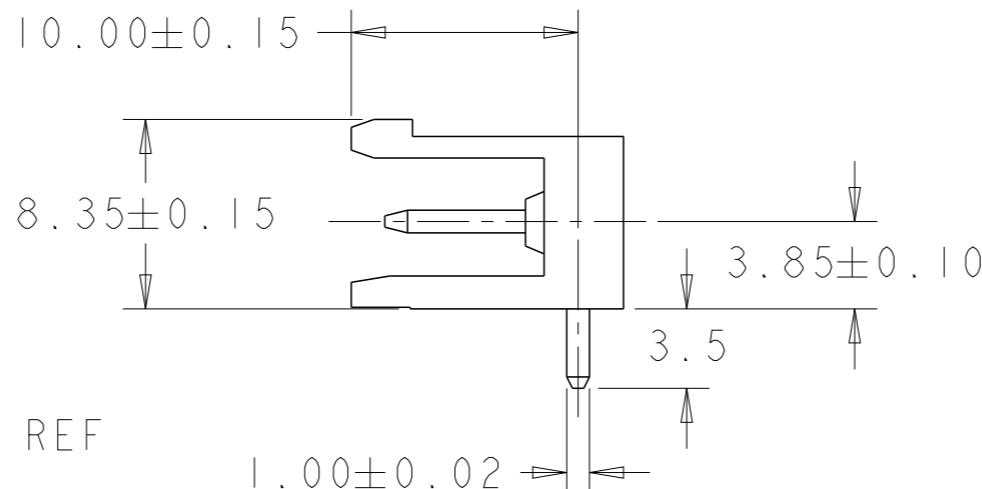
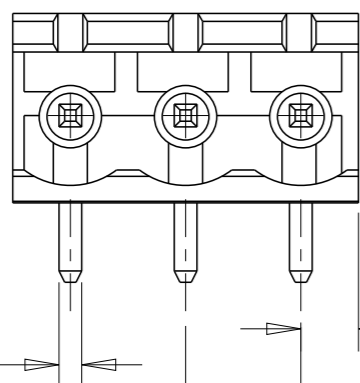
REVISIONS

© COPYRIGHT 20 Tyco Electronics AMP GmbH ALL RIGHTS RESERVED.

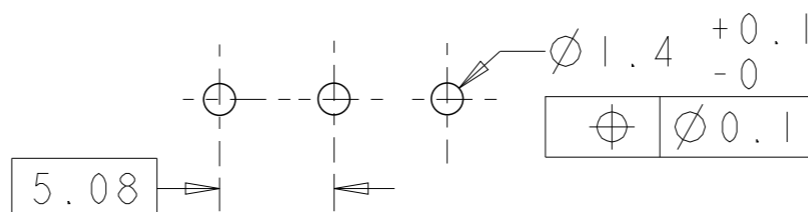
P	LTR	DESCRIPTION	DATE	DWN	APVD
	C3	PN 2-282815-6 ADDED	26MAR2018	RK	PS



282815-3 AS SHOWN



RECOMMENDED PC BOARD LAYOUT



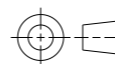
COLOR	DIM. A	NO OF POS.	PART NUMBER
ORANGE	15.24	3	2-282815-6
GREEN	127.00	25	<del>2-282815-5</del>
GREEN	121.92	24	<del>2-282815-4</del>
GREEN	116.84	23	<del>2-282815-3</del>
GREEN	111.76	22	<del>2-282815-2</del>
GREEN	106.68	21	<del>2-282815-1</del>
GREEN	101.60	20	<del>2-282815-0</del>
GREEN	96.52	19	<del>1-282815-9</del>
GREEN	91.44	18	<del>1-282815-8</del>
GREEN	86.36	17	<del>1-282815-7</del>
GREEN	81.28	16	<del>1-282815-6</del>
GREEN	76.20	15	<del>1-282815-5</del>
GREEN	71.12	14	<del>1-282815-4</del>
GREEN	66.04	13	<del>1-282815-3</del>
GREEN	60.96	12	<del>1-282815-2</del>
GREEN	55.88	11	<del>1-282815-1</del>
GREEN	50.80	10	<del>1-282815-0</del>
GREEN	45.72	9	282815-9
GREEN	40.64	8	282815-8
GREEN	35.56	7	282815-7
GREEN	30.48	6	282815-6
GREEN	25.40	5	282815-5
GREEN	20.32	4	282815-4
GREEN	15.24	3	282815-3
GREEN	10.16	2	282815-2

OBSOLETE

OBSOLETE

THIS DRAWING IS A CONTROLLED DOCUMENT.

DIMENSIONS:  
mm



TOLERANCES UNLESS OTHERWISE SPECIFIED:

- 0 PLC ±-
- 1 PLC ±0.3
- 2 PLC ±0.25
- 3 PLC ±-
- 4 PLC ±-
- ANGLES ±2

MATERIAL  
SEE NOTES

FINISH  
SEE NOTES

DWN 25 JUL 2001

E. ZANOLINI

CHK 25 JUL 2001

D. BIEVENOUR

APVD 25 JUL 2001

D. BIEVENOUR

PRODUCT SPEC

108-20166

APPLICATION SPEC

114-20079

WEIGHT

-

CUSTOMER DRAWING

25 JUL 2001  
E. ZANOLINI  
25 JUL 2001  
D. BIEVENOUR  
25 JUL 2001  
D. BIEVENOUR



TE Connectivity

NAME  
TERMINAL BLOCK HEADER ASSEMBLY  
90 DEGREE OPEN ENDS, STACKING  
5.08mm PITCH

SIZE	CAGE CODE	DRAWING NO	RESTRICTED TO
A3	00779	C-282815	


SCALE 3:1 SHEET 1 OF 2 REV C3


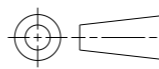
THIS DRAWING IS UNPUBLISHED.      RELEASED FOR PUBLICATION      20

© COPYRIGHT 20      Tyco Electronics AMP GmbH      ALL RIGHTS RESERVED.

LOC	DIST	REVISIONS					
		P	LTR	DESCRIPTION	DATE	DWN	APVD
		-		SEE SHEET 1	-	-	-

NOTES:

1. MATERIALS AND FINISH  
HOUSING: PA 6-6, UL 94-V0.  
TERMINAL: BRASS, TIN PLATED.
  2. MECHANICAL  
MAX. INSERTION FORCE PER POLE : 3.0 N  
MIN. WITHDRAWAL FORCE PER POLE : 1.5 N  
MIN. PC BOARD HOLES DIAMETER : 1.4 mm  
MAX. PC BOARD THICKNESS : 2.4 mm
  3. ELECTRICAL  
WIRE RANGE : 12-30 AWG  
MAX. VOLTAGE : 300 V  
MAX CURRENT : 15 A  
CONTACT RESISTANCE : <15 m Ohm  
INSULATION RESISTANCE : >1000 M Ohm (500V DC)
  4. END-TO-END STACKABLE WITHOUT LOSS OF CENTERLINE SPACING.
  5. RECOGNIZED UNDER THE COMPONENT PROGRAM OF UNDERWRITERS LABORATORIES INC. FILE NO E60677.
  6. OPERATING TEMPERATURE RANGE: -40°C TO +110°C
-  NOT CUMULATIVE TOLERANCE.

THIS DRAWING IS A CONTROLLED DOCUMENT.		DWN E. ZANOLINI 25 JUL 2001	 TE Connectivity	
DIMENSIONS: mm		CHK D. BIEVENOUR 25 JUL 2001		
TOLERANCES UNLESS OTHERWISE SPECIFIED:		APVD D. BIEVENOUR 25 JUL 2001	NAME TERMINAL BLOCK HEADER ASSEMBLY 90 DEGREE OPEN ENDS, STACKING 5.08mm PITCH	
		PRODUCT SPEC 108-20166	RESTRICTED TO	
MATERIAL SEE NOTES		APPLICATION SPEC 114-20079	SIZE A3	CAGE CODE 00779
FINISH SEE NOTES		WEIGHT -	DRAWING NO C-282815	
CUSTOMER DRAWING			SCALE 3:1	SHEET 2 OF 2
			REV C3	

# Mouser Electronics

Authorized Distributor

Click to View Pricing, Inventory, Delivery & Lifecycle Information:

[TE Connectivity:](#)

[282815-6](#)