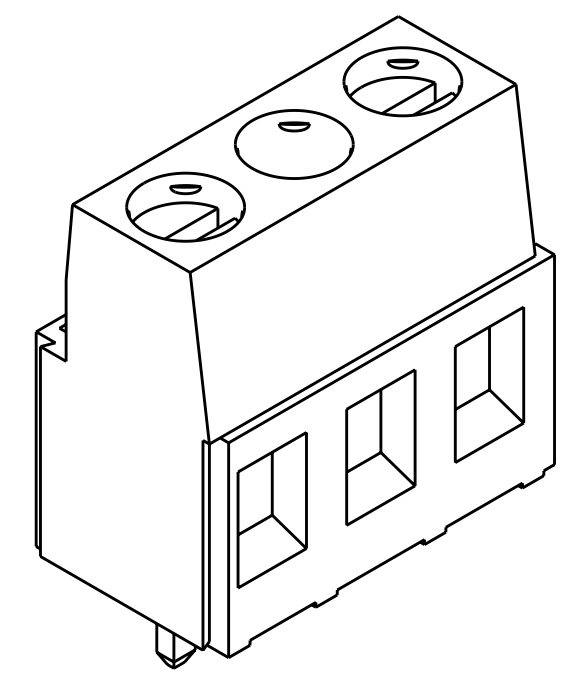
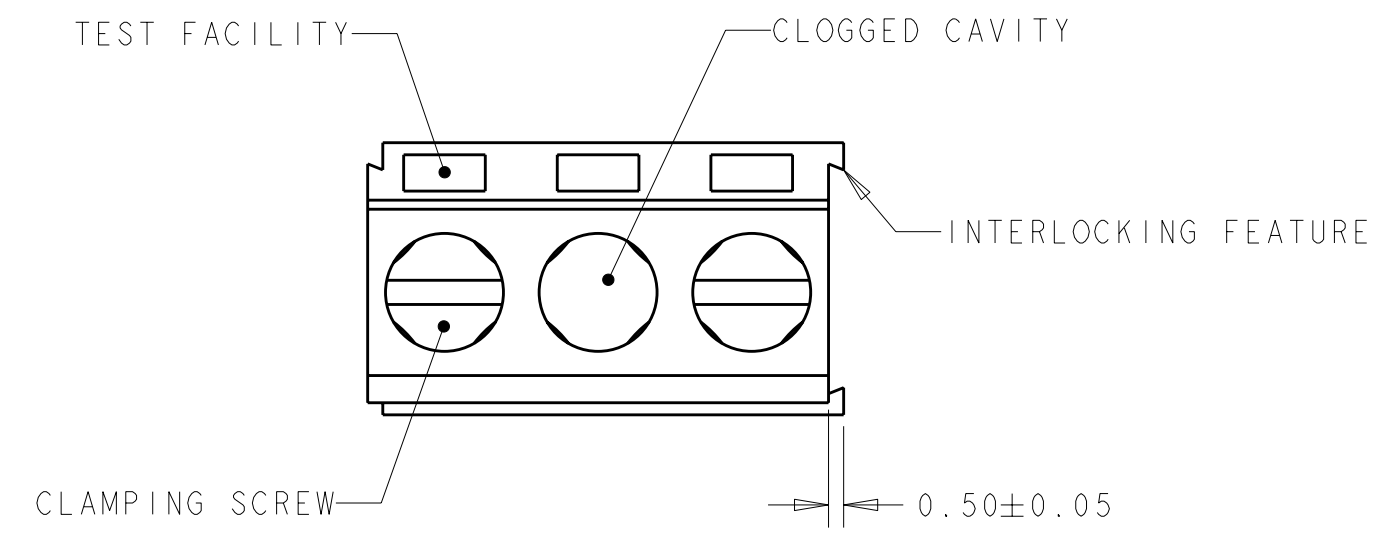


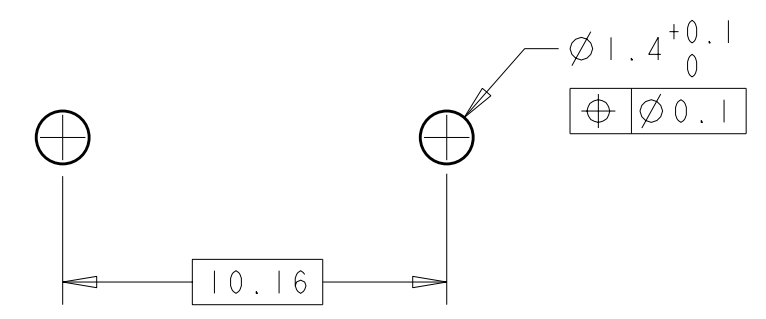
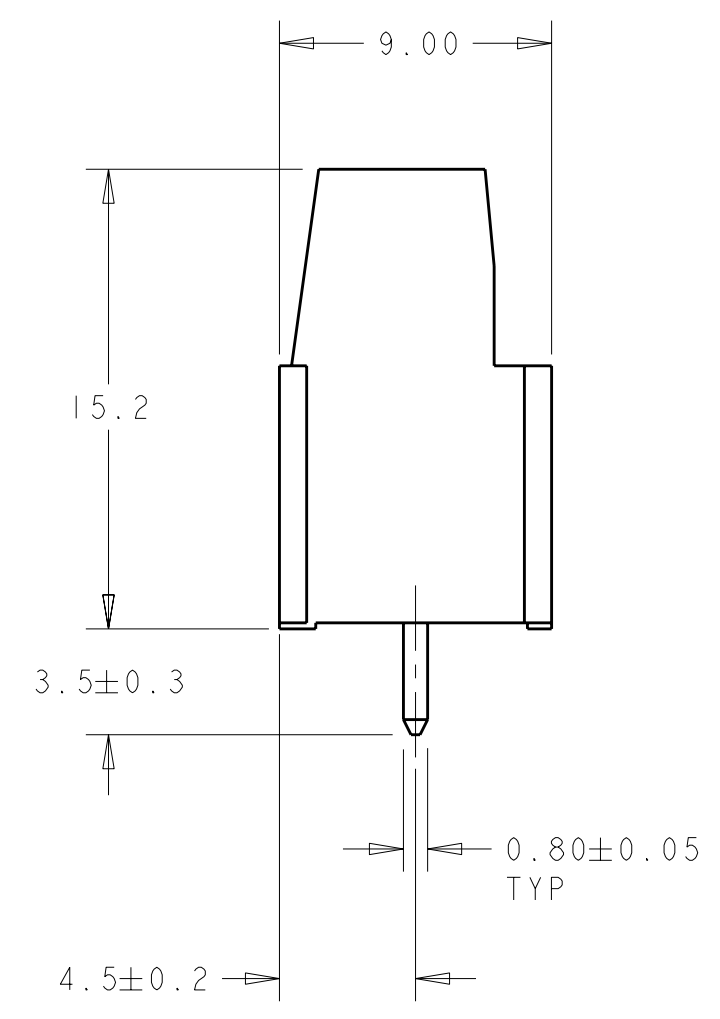
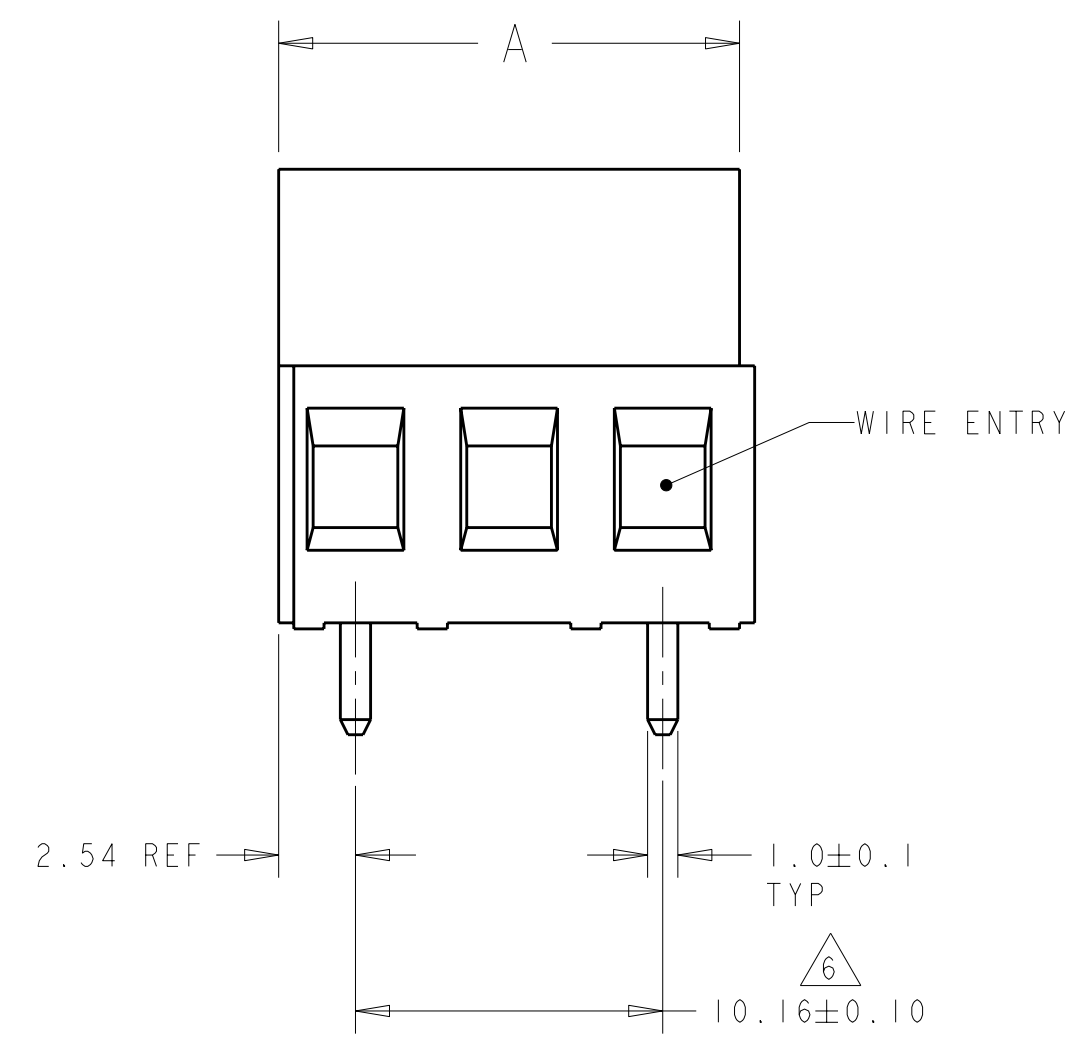
THIS DRAWING IS UNPUBLISHED. RELEASED FOR PUBLICATION 20  
 © COPYRIGHT 20 ALL RIGHTS RESERVED.

LOC		DIST		REVISIONS			
P	LTR	DESCRIPTION	DATE	DWN	APVD		
FT	0	EI	REVISED PER ECO-11-005294	06APR2011	RK	HMR	



282843-2 AS SHOWN

- 1. MATERIALS AND FINISH:  
 HOUSING: PA 6-6, UL 94-V0, COLOR: GREEN.  
 CLAMP: BRASS, NICKEL PLATED.  
 TERMINAL: BRASS, TIN PLATED.  
 CLAMPING SCREW: M3, BRASS, NICKEL PLATED.
- 2. SUITABLE FOR 1,6-2,4mm. PCB THICKNESS.
- 3. WIRE SIZE RANGE  
 SOLID WIRE: 0,03-2,5mm<sup>2</sup> (13AWG)  
 STRANDED WIRE: 0,03-1,5mm<sup>2</sup> (15AWG)
- 4. RECOGNIZED UNDER THE COMPONENT PROGRAM OF UNDERWRITERS LABORATORIES INC. FILE No E60677.
- 5. IMO CERTIFICATE WITH SURVEILLANCE IN CONFORMITY WITH IEC 998-1/998-2-1.
- 6. NOT CUMULATIVE TOLERANCE.
- 7. INK MARKING: COLOR BLACK.



RECOMMENDED PC BOARD LAYOUT  
 SCALE 5:1

SEE DETAIL L	15.24	3	1-282843-4
-	127.00	13	1-282843-3
-	116.84	12	1-282843-2
-	106.68	11	1-282843-1
-	96.52	10	1-282843-0
-	86.36	9	282843-9
-	76.20	8	282843-8
-	66.04	7	282843-7
-	55.88	6	282843-6
-	45.72	5	282843-5
-	35.56	4	282843-4
-	25.40	3	282843-3
-	15.24	2	282843-2
MARKING	A	POSN	PART NUMBER

THIS DRAWING IS A CONTROLLED DOCUMENT.		DWN E.ZANOLINI 05SEP2001	TE Connectivity	
		CHK D.BIEVENOUR 05SEP2001		
		APVD D.BIEVENOUR 05SEP2001	NAME	
DIMENSIONS: mm		PRODUCT SPEC	TERMINAL BLOCK, PCB MOUNT, SIDE WIRE ENTRY, STACKING W/INTERLOCK, 10.16mm PITCH	
TOLERANCES UNLESS OTHERWISE SPECIFIED:		APPLICATION SPEC	SIZE	RESTRICTED TO
0 PLC ±0		WEIGHT	A200779	
1 PLC ±.3		CAGE CODE		
2 PLC ±.25		DRAWING NO		
3 PLC ±0		A200779C-282843		
4 PLC ±0		SCALE 4:1		
ANGLES ±2°		SHEET 1 OF 2		
FINISH		REV E1		

4

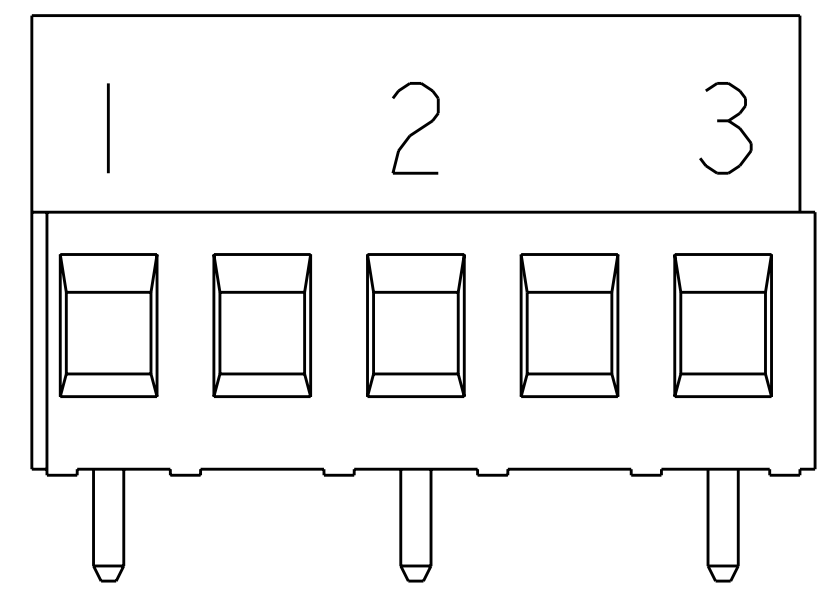
3

2


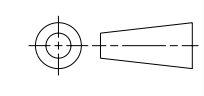
1

THIS DRAWING IS UNPUBLISHED.      RELEASED FOR PUBLICATION      20  
 © COPYRIGHT 20      ALL RIGHTS RESERVED.

LOC	DIST	REVISIONS			
P	LTR	DESCRIPTION	DATE	DWN	APVD
FT	0	-	SEE SHEET 1	-	-



△ 7 DETAIL L

THIS DRAWING IS A CONTROLLED DOCUMENT.		DWN E. ZANOLINI	05SEP2001	 TE Connectivity
DIMENSIONS:		CHK D. BIEVENOUR	05SEP2001	
mm		APVD D. BIEVENOUR	05SEP2001	
		PRODUCT SPEC	-	
TOLERANCES UNLESS OTHERWISE SPECIFIED:		APPLICATION SPEC		NAME
0 PLC	±0	-		TERMINAL BLOCK, PCB MOUNT, SIDE WIRE ENTRY, STACKING W/INTERLOCK, 10.16mm PITCH
1 PLC	±.3	-		SIZE
2 PLC	±.25	-		A200779
3 PLC	±0	-		CAGE CODE
4 PLC	±0	-		G-282843
ANGLES	±2°	WEIGHT		DRAWING NO
FINISH	-	CUSTOMER DRAWING		RESTRICTED TO
MATERIAL		SCALE		4:1
-		SHEET		2 OF 2
-		REV		E1

# Mouser Electronics

Authorized Distributor

Click to View Pricing, Inventory, Delivery & Lifecycle Information:

[TE Connectivity:](#)

[282843-7](#)