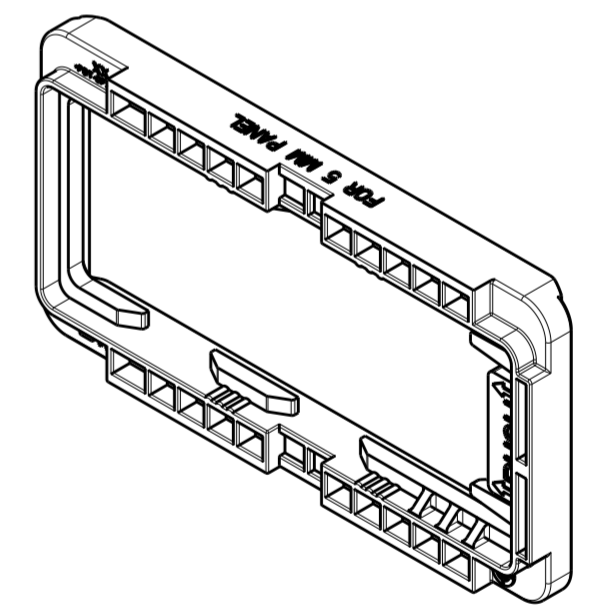
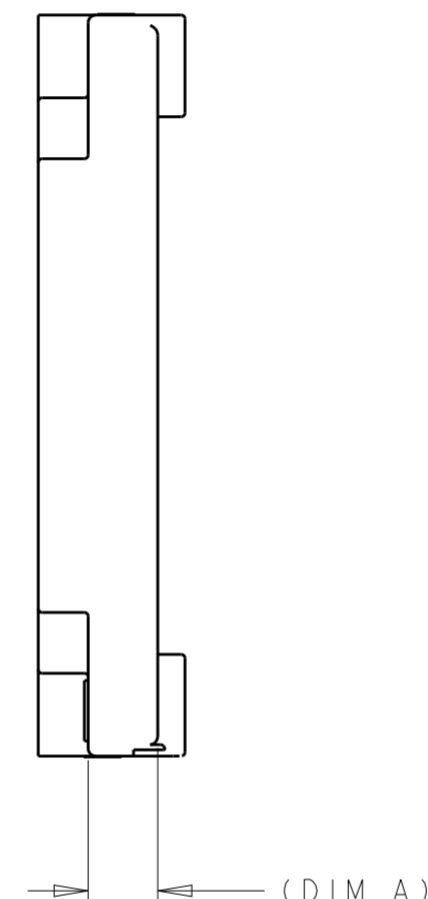
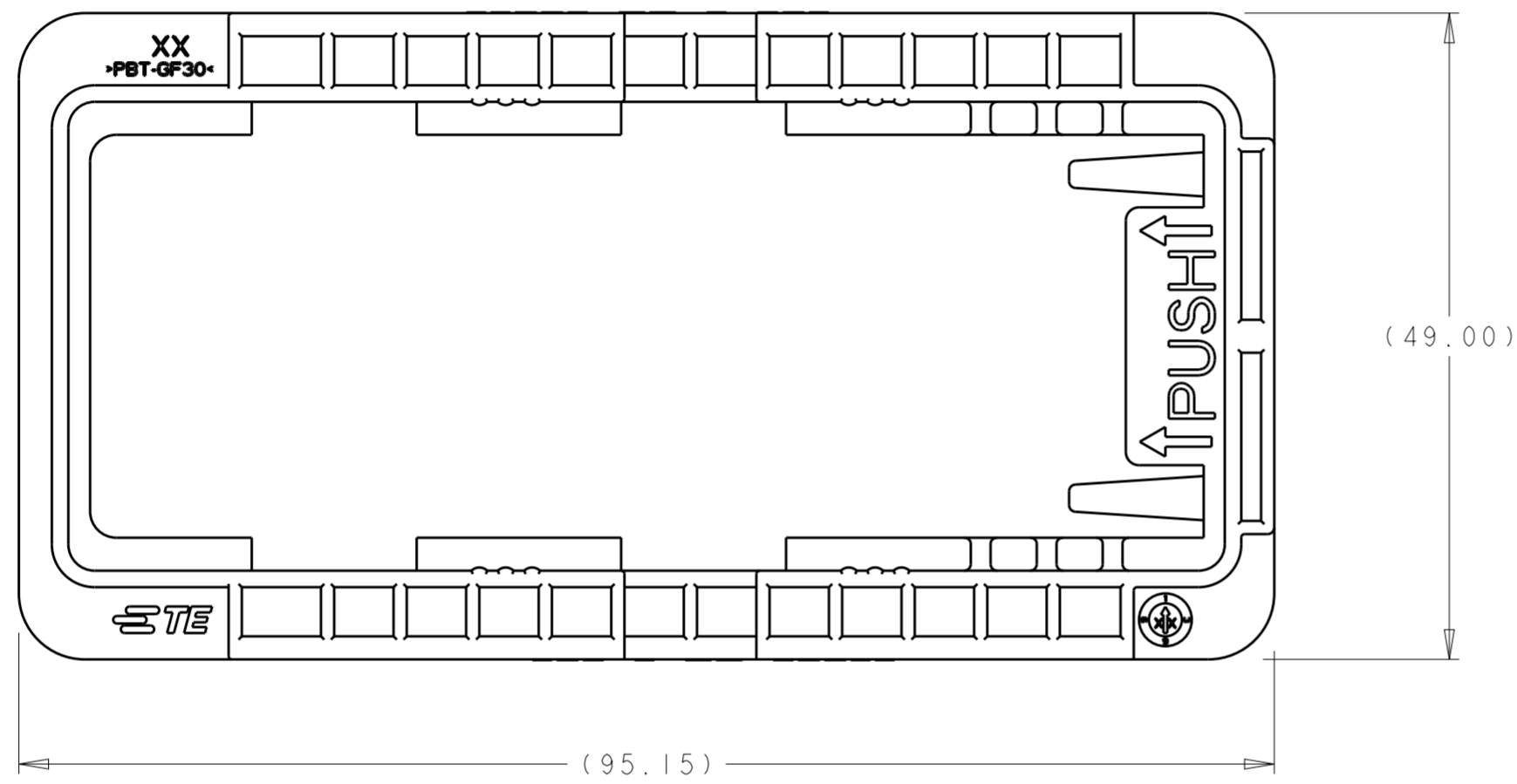


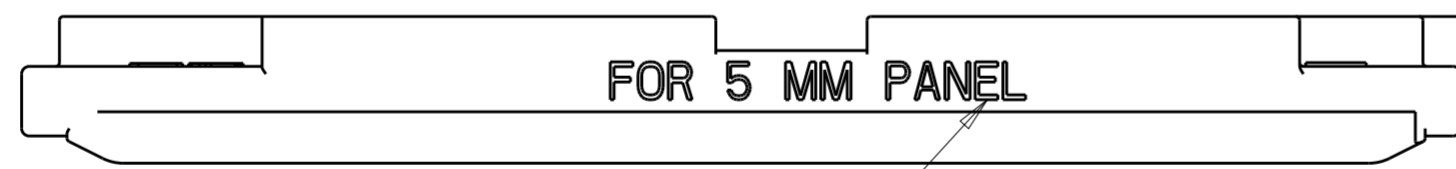
THIS DRAWING IS UNPUBLISHED. RELEASED FOR PUBLICATION 20
 © COPYRIGHT 20 BY - ALL RIGHTS RESERVED.

REVISIONS				
P	LTR	DESCRIPTION	DATE	APVD
	A	RELEASED PER ECO-15-014111	09OCT2015	DLD DCS

- 1 MATERIAL: PBT-GF30
COLOR: SEE TABLE
- 2. FOR USE WITH TE P/N 2272889.
- 3 MARKING FOR RECOMMENDED PANEL THICKNESS. SEE TABLE FOR PART NUMBER TO PANEL THICKNESS RELATIONSHIP.



SCALE 1:1



2203876-1 SHOWN

BLACK	3.0±0.10	8.4	2203876-3
YELLOW	4.0±0.10	7.4	2203876-2
RED	5.0±0.10	6.4	2203876-1
COLOR	PANEL THICKNESS 3	DIM A	PART NUMBER

THIS DRAWING IS A CONTROLLED DOCUMENT.		DWN D. STRAUSSER 10OCT2013	TE Connectivity	
DIMENSIONS:		CHK D. STRAUSSER 10OCT2013		
mm	TOLERANCES UNLESS OTHERWISE SPECIFIED:	APVD D. STRAUSSER 10OCT2013	NAME MOUNTING CLIP, ML CONNECTOR	
0 PLC ±	1 PLC ±	PRODUCT SPEC	RESTRICTED TO	
2 PLC ±	3 PLC ±	APPLICATION SPEC	SIZE	CAGE CODE
4 PLC ±	ANGLES ±°	WEIGHT	A20779	G-2203876
MATERIAL	FINISH	CUSTOMER DRAWING	SCALE 2:1	SHEET 1 OF 1
-	-			REV A