



ENGLISH

Datasheet

## RS Pro Blade, 1 Blade Segments

RS Stock No: **382-0166**



### Product Details

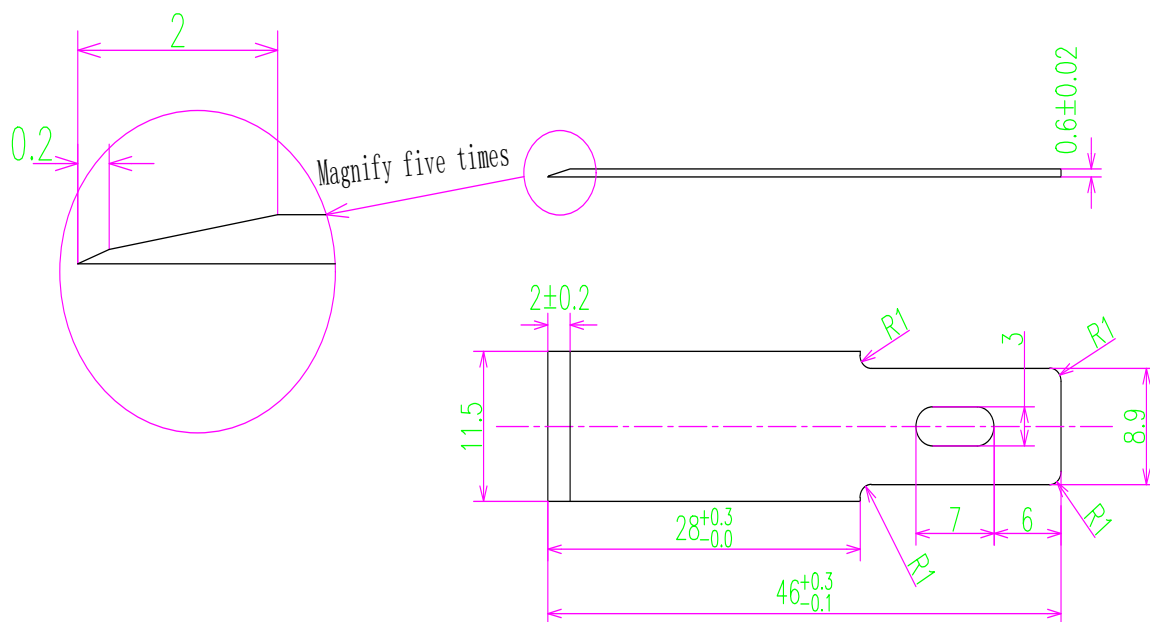
RS Pro 1 segment blade is supplied in a pack of 100.

### Features and Benefits

- Single segment
- Supplied in a pack of 100

### Specifications:

For Use With	Precision Craft Knife
Number of Blade Segments	1
Blade Thickness	0.3 mm
Finish	Neutral Colour
Hardness	58 to 64 HRC
Material	High Carbon Steel (SK-3) Blade (German Steel)
Quantity	100



Note

1. Heat treatment hardness: HRC58°-HRC63°
2. There should be no scratches, rust spots or other defects on the blade surface.
3. Single-sided blade with double-layer blade to ensure sharp edge.
4. The tolerance is  $\pm 0.05$ mm.