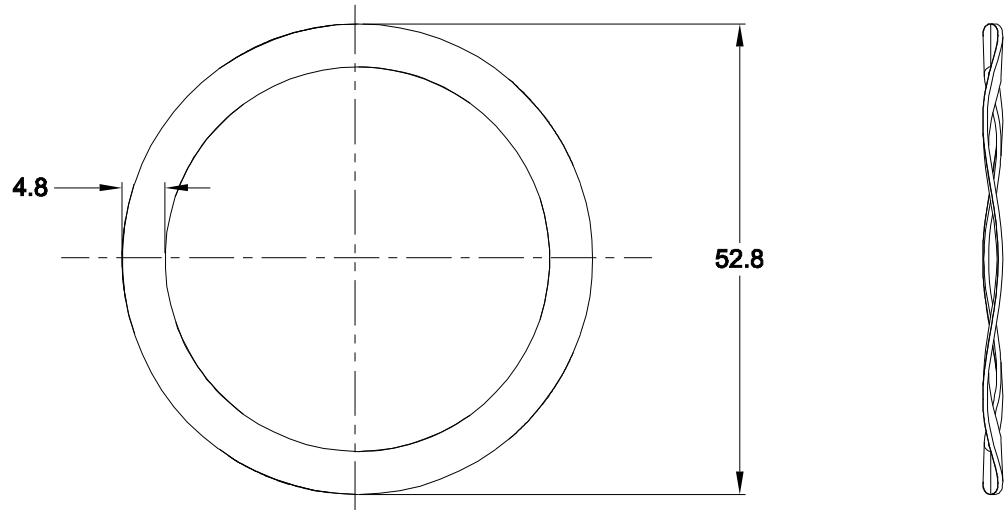



REVISIONS					
REV	ECO	DESCRIPTION	DATE	BY	APPR
A1		RELEASE NEW PRODUCT	10AUG15	ORION	TOMMY



**NOTES: UNLESS OTHERWISE SPECIFIED**

1. MATERIAL: STEEL
2. RoHS COMPLIANT
3. USE WITH AHDP SERIES SIZE 24 RECEPTACLE,
4. ALL DIMENSIONS ARE FOR REFERENCE USE ONLY.

AT14-001-2486		DESCRIPTION		ITEM
PART NUMBER		DESCRIPTION		ITEM
QUANTITY	MATERIALS LIST			
<b>UNLESS OTHERWISE SPECIFIED</b> 1) All dimensions are in metric(mm). 2) Tolerances are as follows: 1 PL DEC ±0.30    Fractions ±1/64 2 PL DEC ±0.15    Angles ±1° 3 PL DEC ±0.08 3) Note reference = 		<b>SIGNATURES</b> DRAWN: ORION LI    10AUG15 CHECKED: ENGINEER: APPROVAL: TOMMY.XIE    10AUG15 CUSTOMER:		<h1>Amphenol</h1> Sine Systems - www.amphenol-sine.com 44724 Morley Drive Clinton Township, MI 48036
MATERIAL SPECIFICATIONS:		THIS DRAWING IS SUPPLIED FOR INFORMATION ONLY. DESIGN FEATURES, SPECIFICATIONS AND PERFORMANCE DATA SHOWN HEREON ARE THE PROPERTY OF THE AMPHENOL CORPORATION. NO RIGHTS OF REPRODUCTION ARE IMPLIED. ALL DIMENSIONS ARE SUBJECT TO NORMAL MANUFACTURING VARIATIONS.		LOCK WASHER, SIZE 24, AHDP SERIES SIZE: A    TYPE: C-    DWG NO: AT14-001-2486    REVISION: A1
PROCESS SPECIFICATIONS:		SCALE: NONE		SHEET 1 OF 1
NEXT ASSY:				