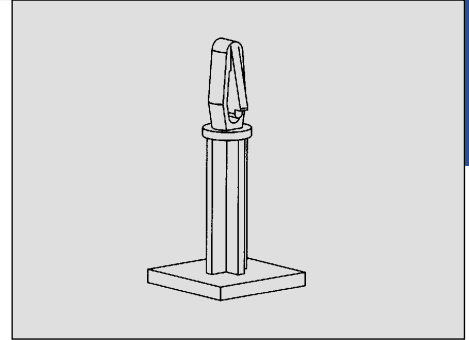
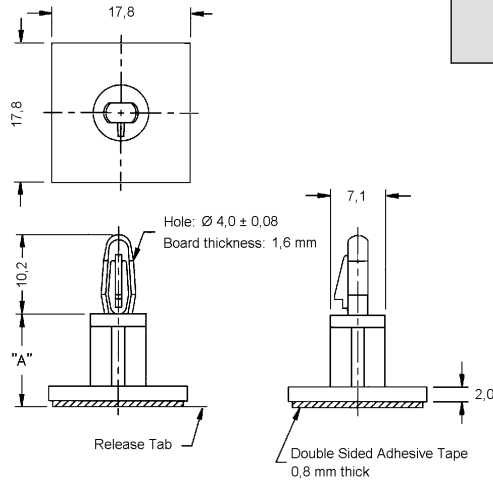


Part No.	"A" mm
LCBSB-3-01A-RT	4.8
LCBSB-4-01A-RT	6.4
LCBSB-6-01A-RT	9.5
LCBSB-8-01A-RT	12.7
LCBSB-10-01A-RT	15.9
LCBSB-12-01A-RT	19.1
LCBSB-14-01A-RT	22.2
LCBSB-16-01A-RT	25.4
LCBSB-18-01A-RT	28.6



LCBSB

LOCKING CIRCUIT BOARD SUPPORT
ON BASE



Material: Nylon 6/6 - natural; UL 94 V-2, RMS-01
or
Nylon 6/6 - natural; UL 94 V-0, RMS-19
Adhesive Tape: Temperature Range: -20°C to +50°C
Std. Pk.: 1.000 pcs.

Note:

LCBSB	3	01	A-RT
-------	---	----	------

Part Length Material Code +Adh. Tape