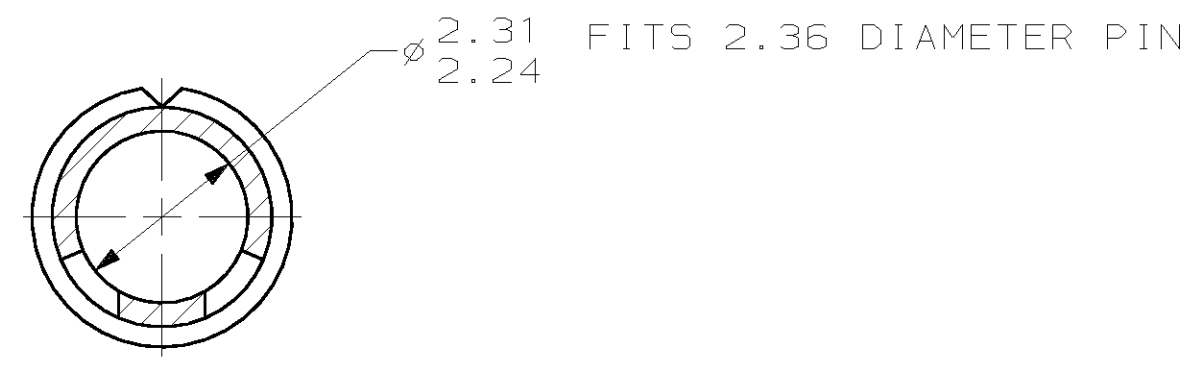
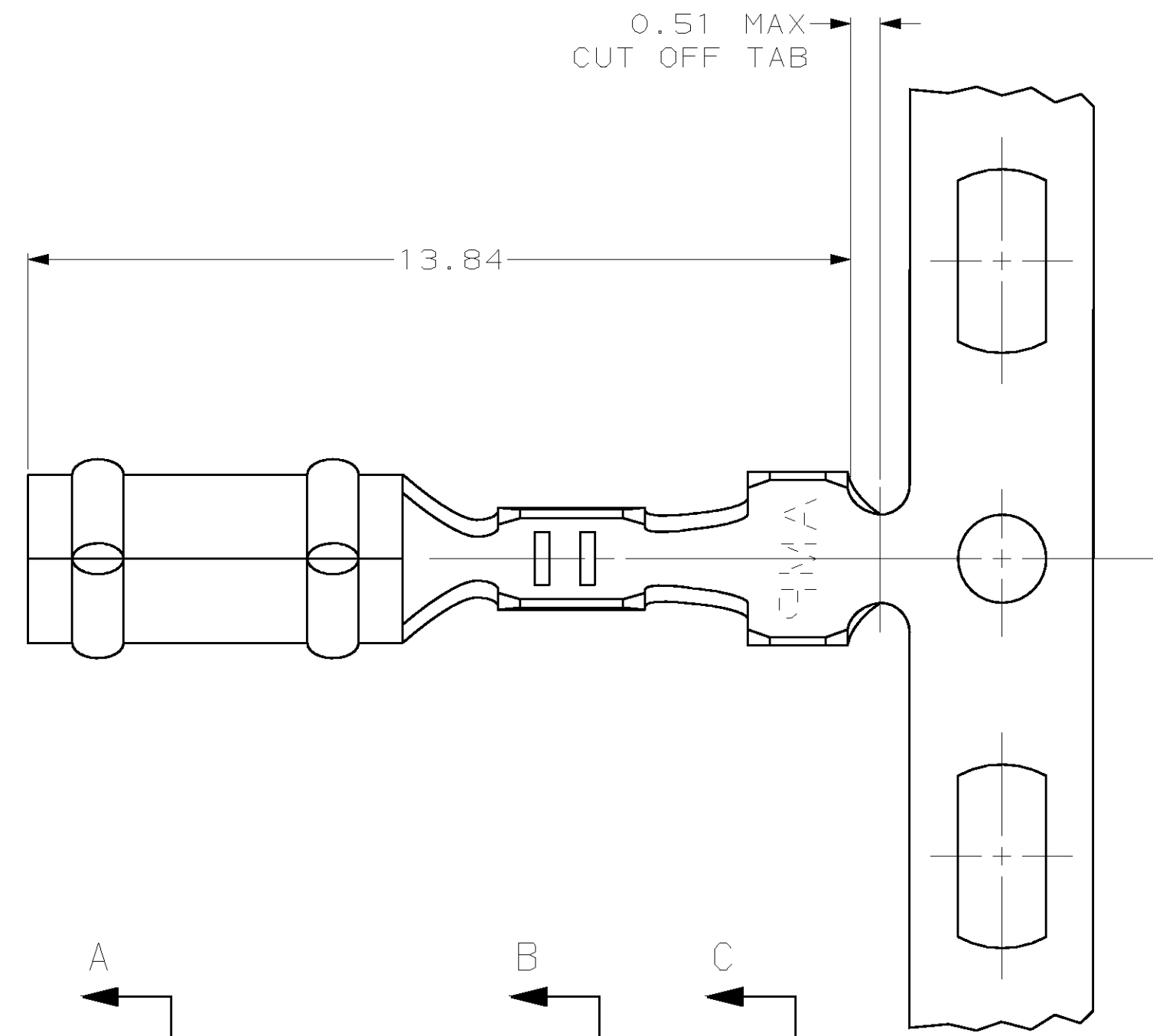


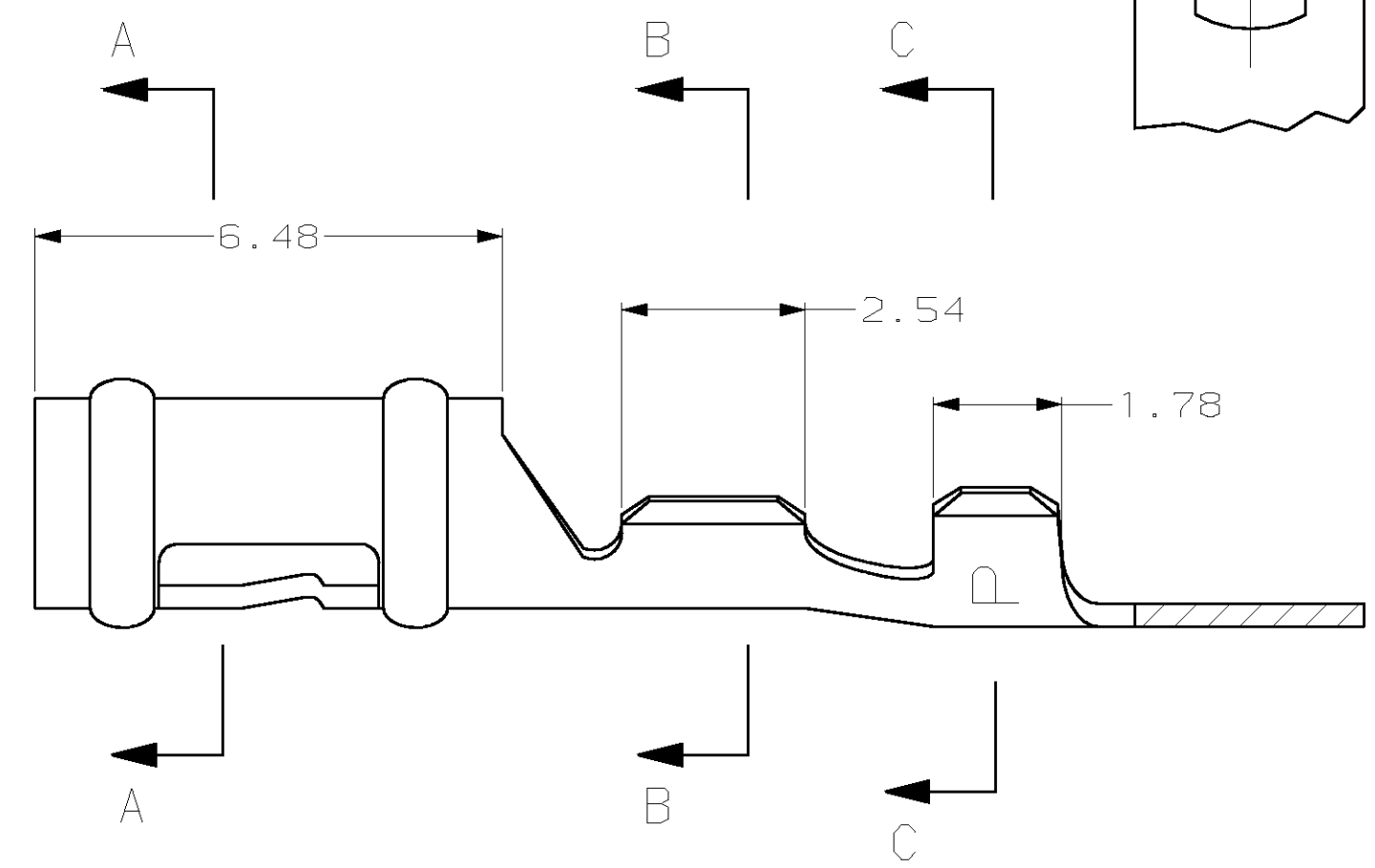
THIS DRAWING IS UNPUBLISHED. RELEASED FOR PUBLICATION .19
 (C) COPYRIGHT 19 BY AMP INCORPORATED. ALL RIGHTS RESERVED.

LOC		DIST		REVISIONS			
P	LTR	DESCRIPTION	DATE	DWN	APVD		
CM	52	F	REVIS PER EC 0G1B-0065-99	17-JUN-99	KW	JE	

1. WIRE RANGE: 0.08 - 0.15 MM² (28 - 26 AWG)
2. INSULATION RANGE: 0.81 - 1.45



SECTION A-A



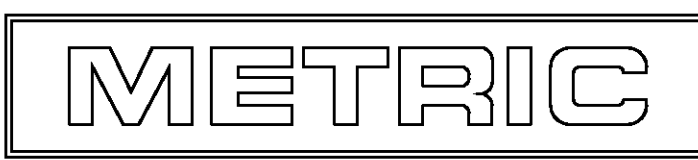
SECTION B-B

SECTION C-C

MINI APPLICATOR	350221-1 PART NUMBER
-----------------	----------------------

MM	IN	MM	IN	MM	IN	MM	IN
1.45	.057	1.96	.077	2.79	.110	-	-
0.81	.032	1.93	.076	2.54	.100	-	-
0.51	.020	1.78	.070	2.36	.093	13.84	.545
0.32	.013	1.57	.062	2.31	.091	6.48	.255
0.13	.005	1.55	.061	2.24	.088	3.18	.125
MM	IN	MM	IN	MM	IN	MM	IN

CONVERSION TABLE



THIS DRAWING IS A CONTROLLED DOCUMENT.		DWN	T. BECK	6-16-97	AMP Incorporated Harrisburg, PA 17105-3608	
DIMENSIONS: mm		CHK	R. SWING	6-16-97		
TOLERANCES UNLESS OTHERWISE SPECIFIED:		APVD	A. BEDDICK	8-22-97		
0 PLC ±- 1 PLC ±- 2 PLC ±0.13 3 PLC ±- 4 PLC ANGLES ±-		PRODUCT SPEC	108-1025			
MATERIAL: 0.32 PH BRZ		FINISH	PRE TIN		APPLICATION SPEC	114-1008
		WEIGHT	-		SIZE	A2
		CUSTOMER DRAWING			CAGE CODE	00779
		SCALE	10:1		DRAWING NO	C-350221
		SHEET	1 OF 1		RESTRICTED TO	-
		REV	F			

350221

Mouser Electronics

Authorized Distributor

Click to View Pricing, Inventory, Delivery & Lifecycle Information:

[TE Connectivity:](#)

[350221-1](#)