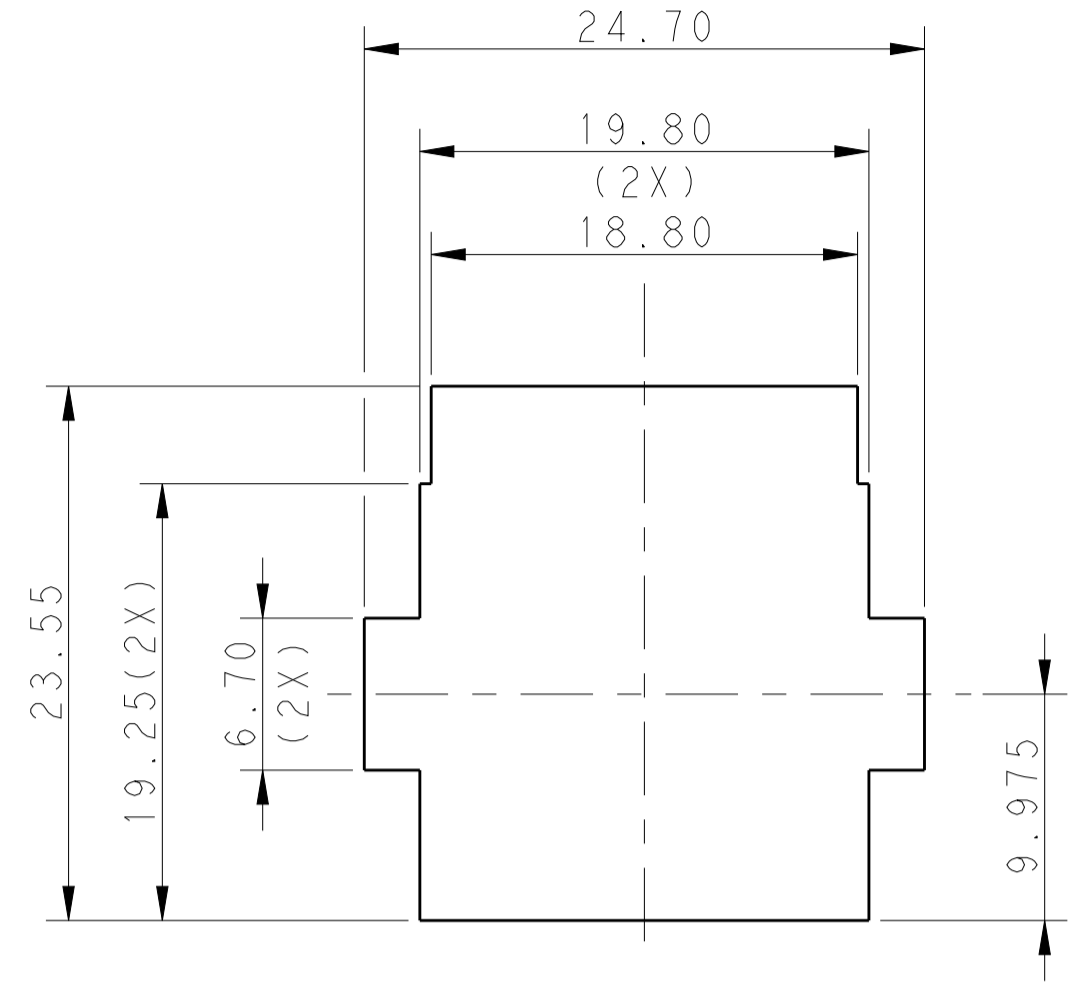
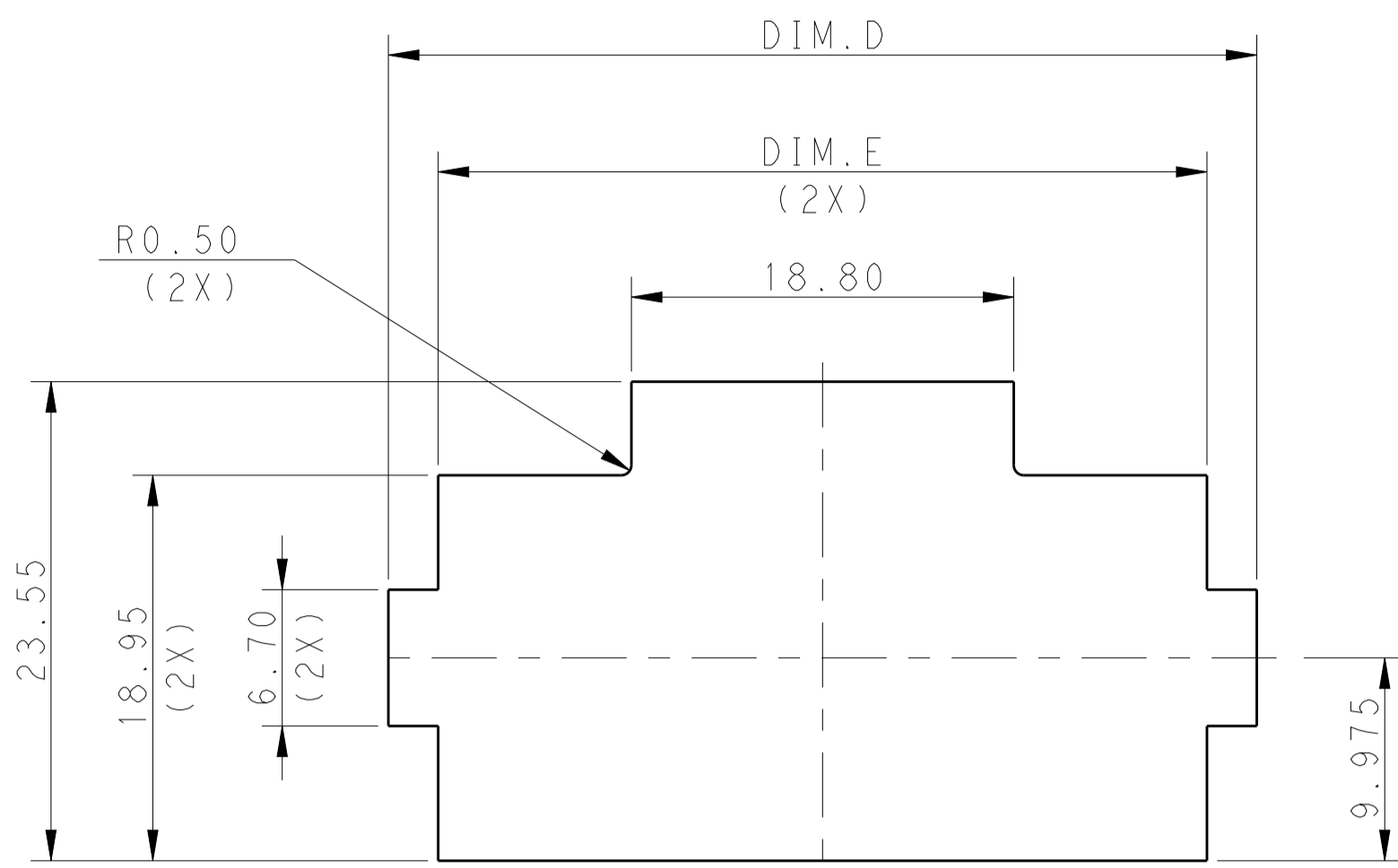
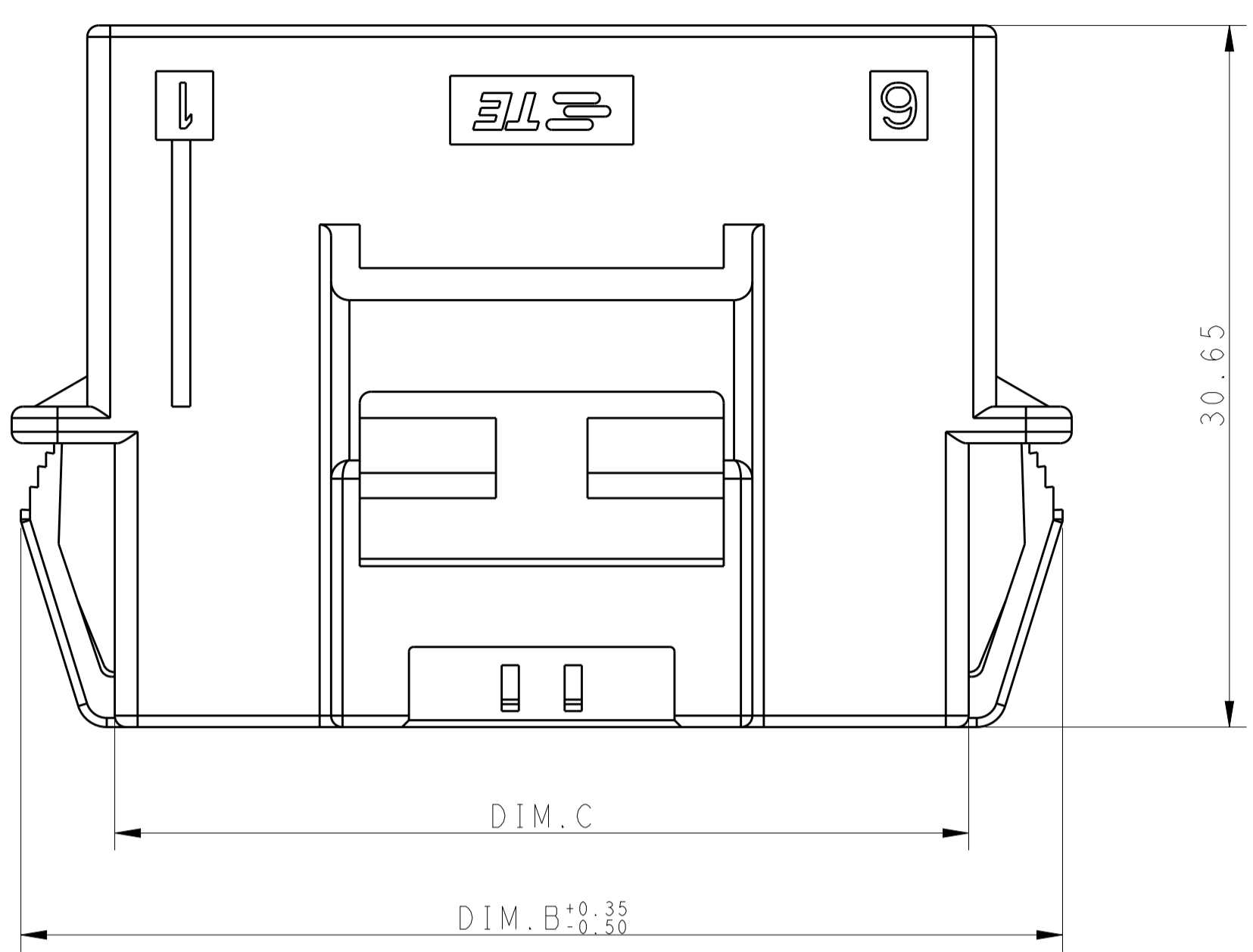
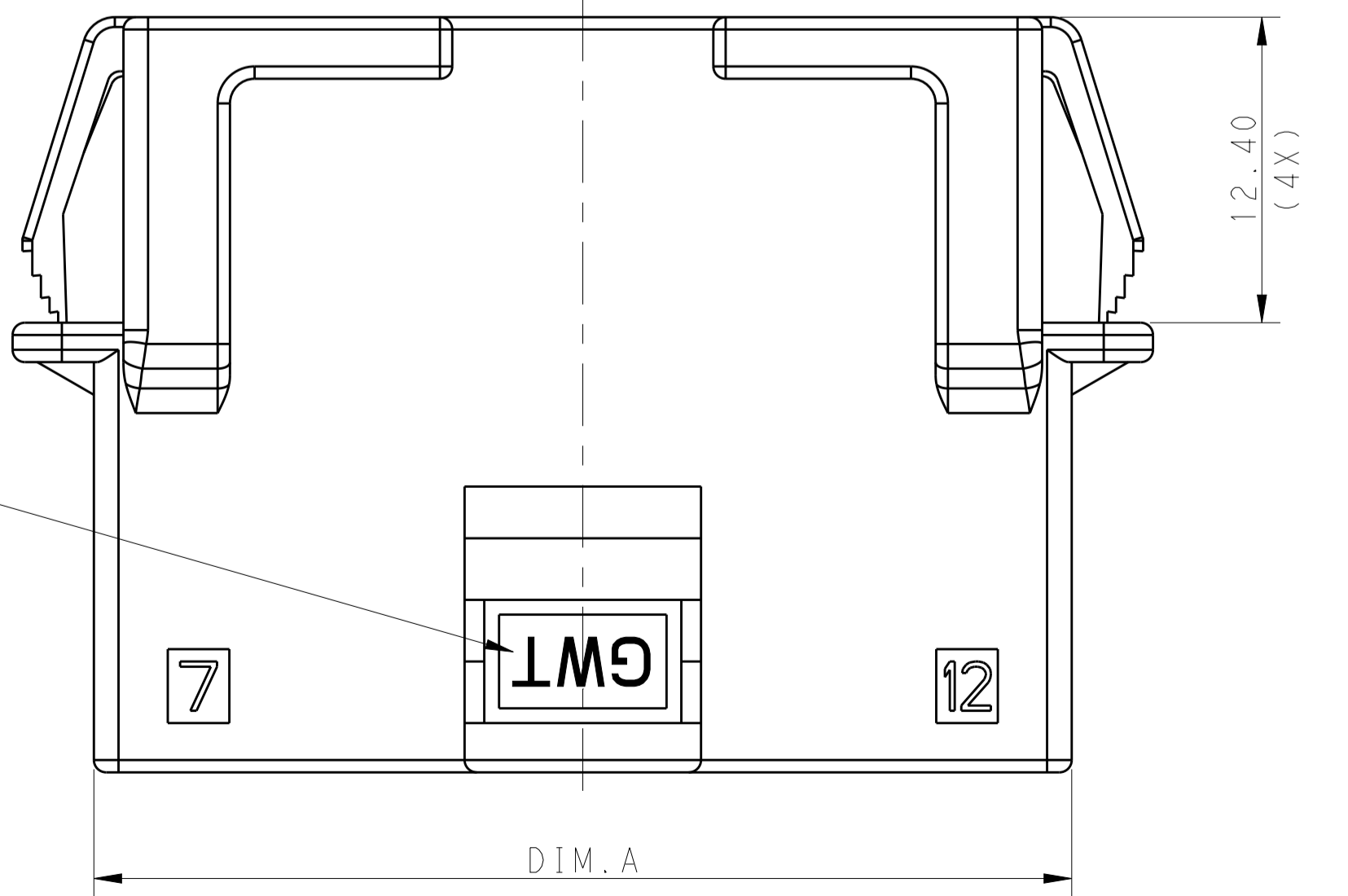
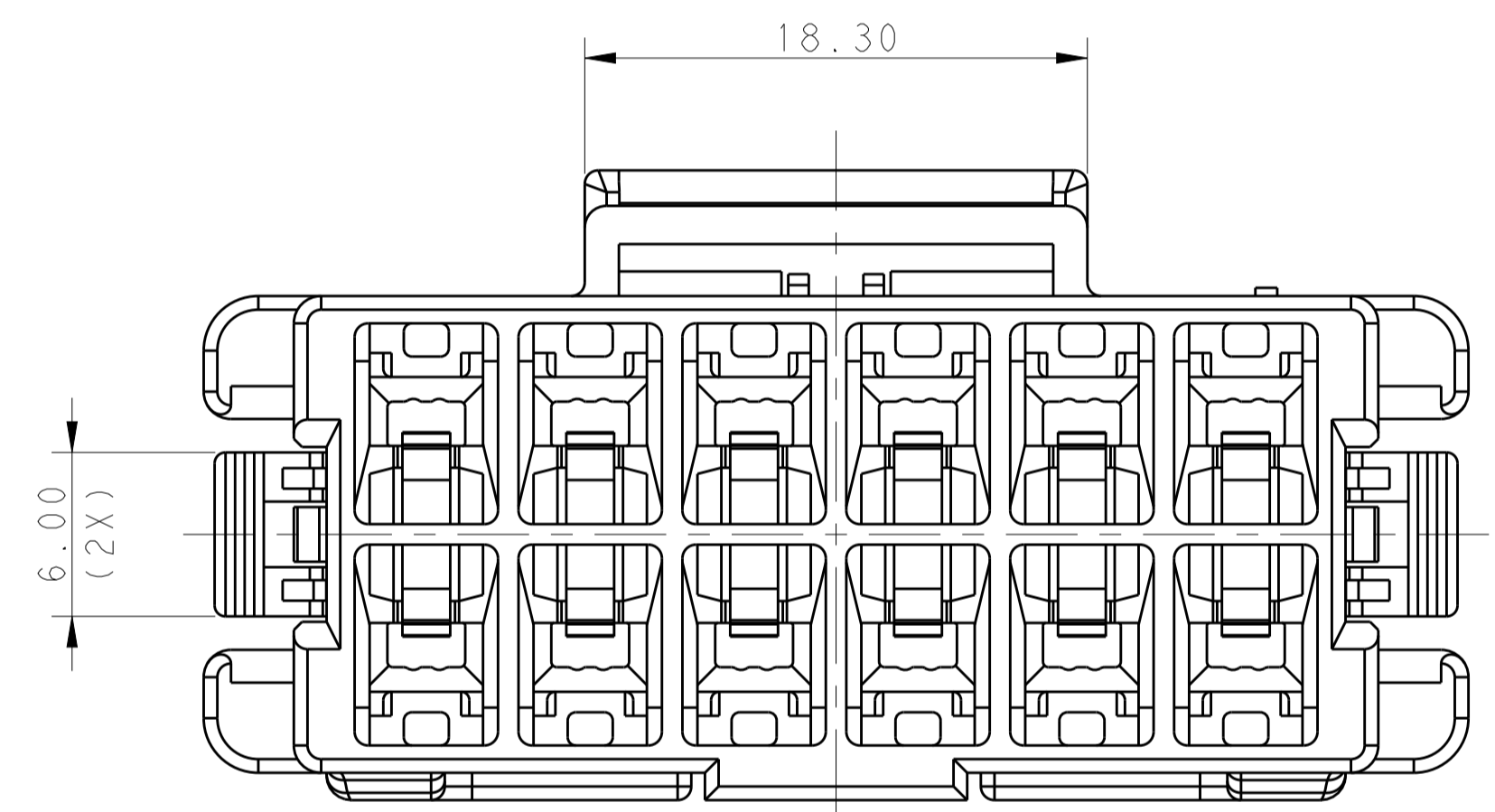
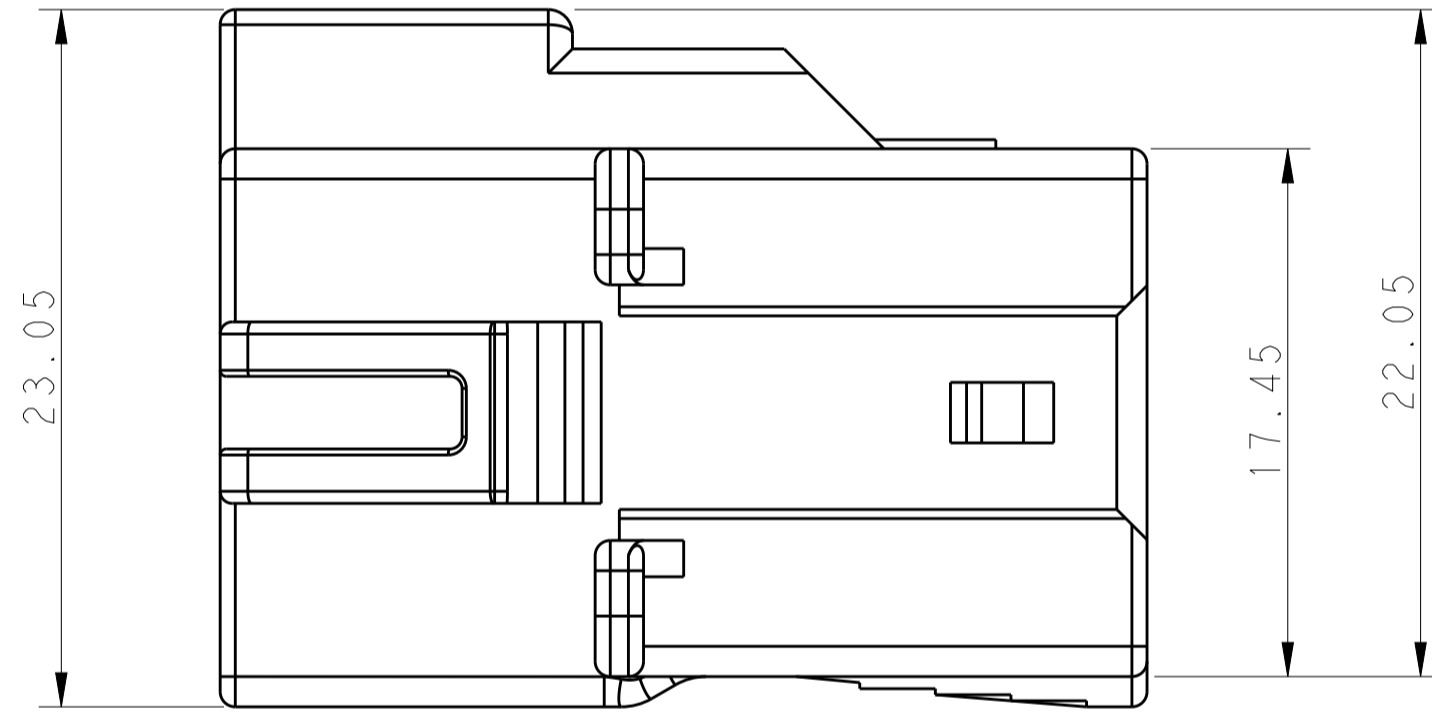
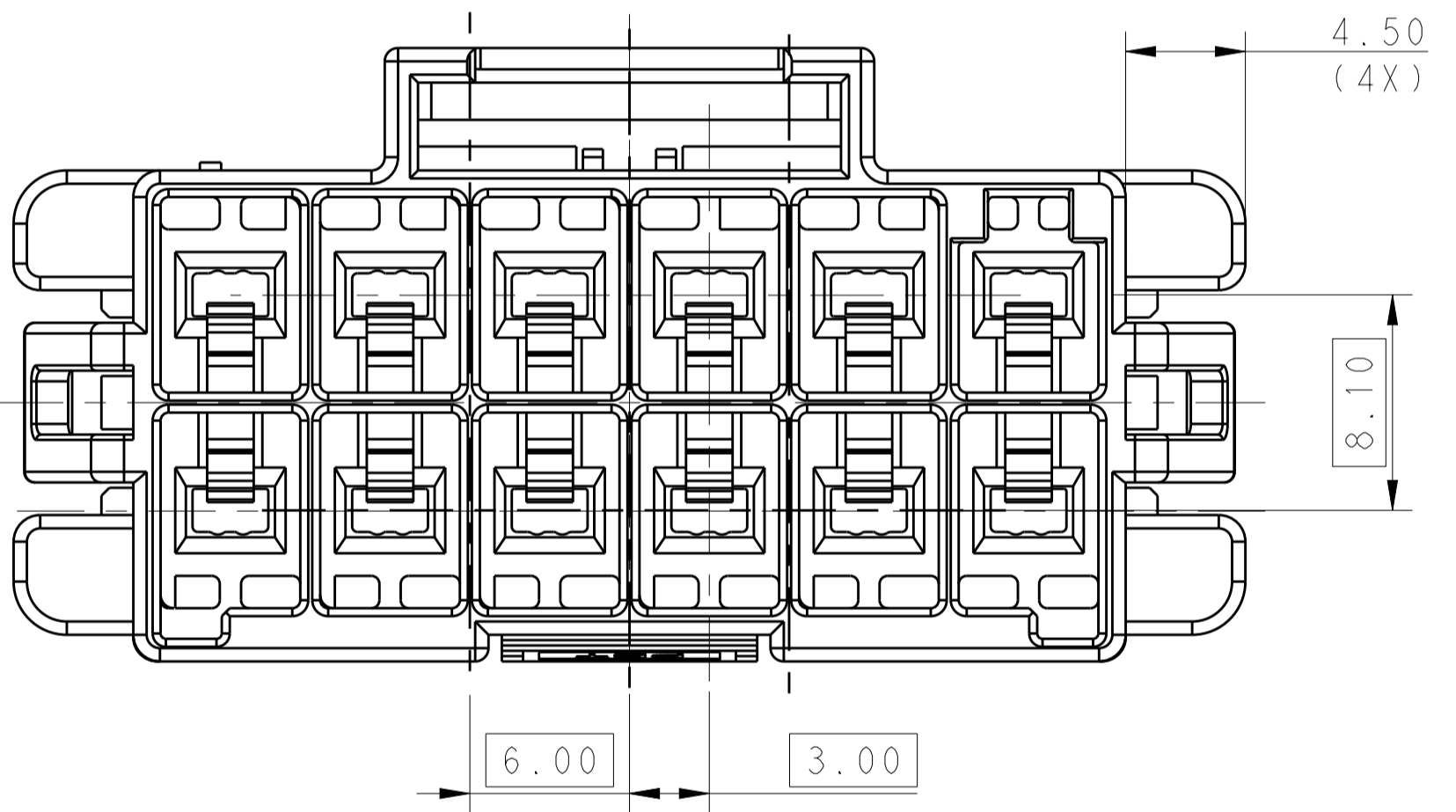


REVISONS		DATE	DWN	APVD
B1	REVISED PER ECR-18-016088	15OCT2018	BW	GJ
B2	REVISED PER ECR-19-000858	23JAN2019	BKW	GJ
B3	REVISED PER ECO-19-007289	10MAY2019	BKW	GJ



RECOMMENDED PANEL OPENING DIMENSIONS FOR CAP HOUSING 2*6 AND 2*5 AND 2*4 POSITIONS (TOLERANCE: ±0.15mm)

RECOMMENDED PANEL OPENING DIMENSIONS FOR CAP HOUSING 2*3 POSITION (TOLERANCE: ±0.15mm)



- MATERIAL:
 LEVEL A: PA6 GLASS FILLED, COMPLY WITH GLOW WIRE REQUIREMENTS FOR PARTS OF NON-METALLIC MATERIAL SUPPORTING A CURRENT-CARRYING CONNECTION DETAILED IN IEC 60335-1, SECTION 30 (GWT), UL 94V-0
 LEVEL B: PBT GLASS FILLED, HOT WIRE IGNITION (HWI) VERSION ARE MOLDED IN A RESIN THAT COMPLIES WITH TE PENDING HOT WIRE IGNITION TEST AND ARE RECOMMENDED FOR USE WITH HWI HOUSINGS THAT ALSO COMPLY, UL 94V-0

MATERIAL MARK:
 LEVEL A:GWT,LEVEL B:HWT

3. APPLICABLE CONTACT P/N
 TAB CONTACT: 1971238/1971780/82/84/86/88-*, 2238067-*, *-2324732-*

4. MATING CONN, P/N
 PLUG HSG: *-2232266-
 TPA (LOCK PLATE): *-1971778-*

5. RECOMMENDED PANEL THICKNESS:1.0~2.0mm

6. THIS PRODUCT HAS NOT COMPLETED VALIDATION TESTING.

POS	A	B	C	D	E
2*6	39.70	45.5	37.30	42.70	37.80
2*5	33.70	39.5	31.30	36.70	31.80
2*4	27.70	33.5	25.30	30.70	25.80
2*3	21.70	27.5	19.30		

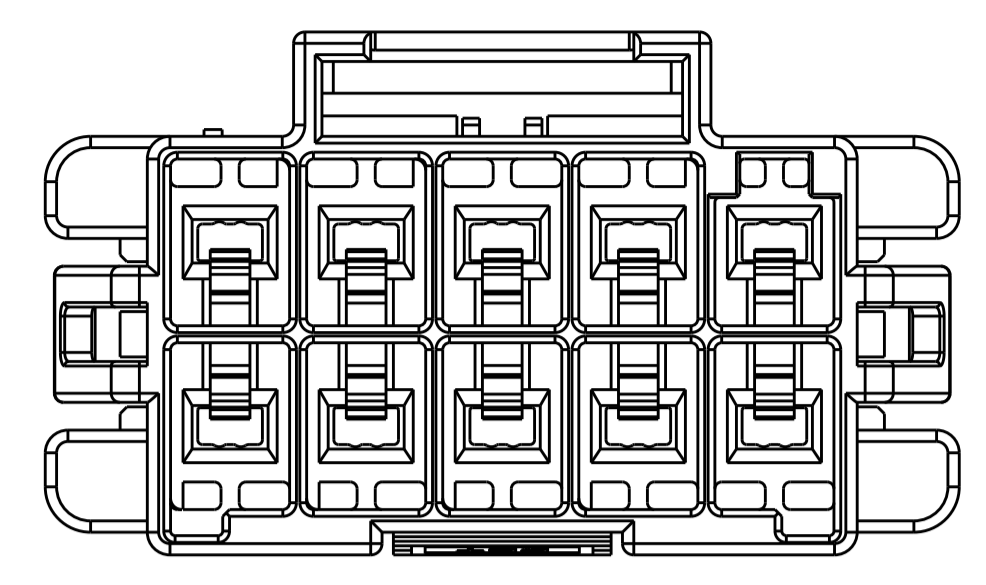
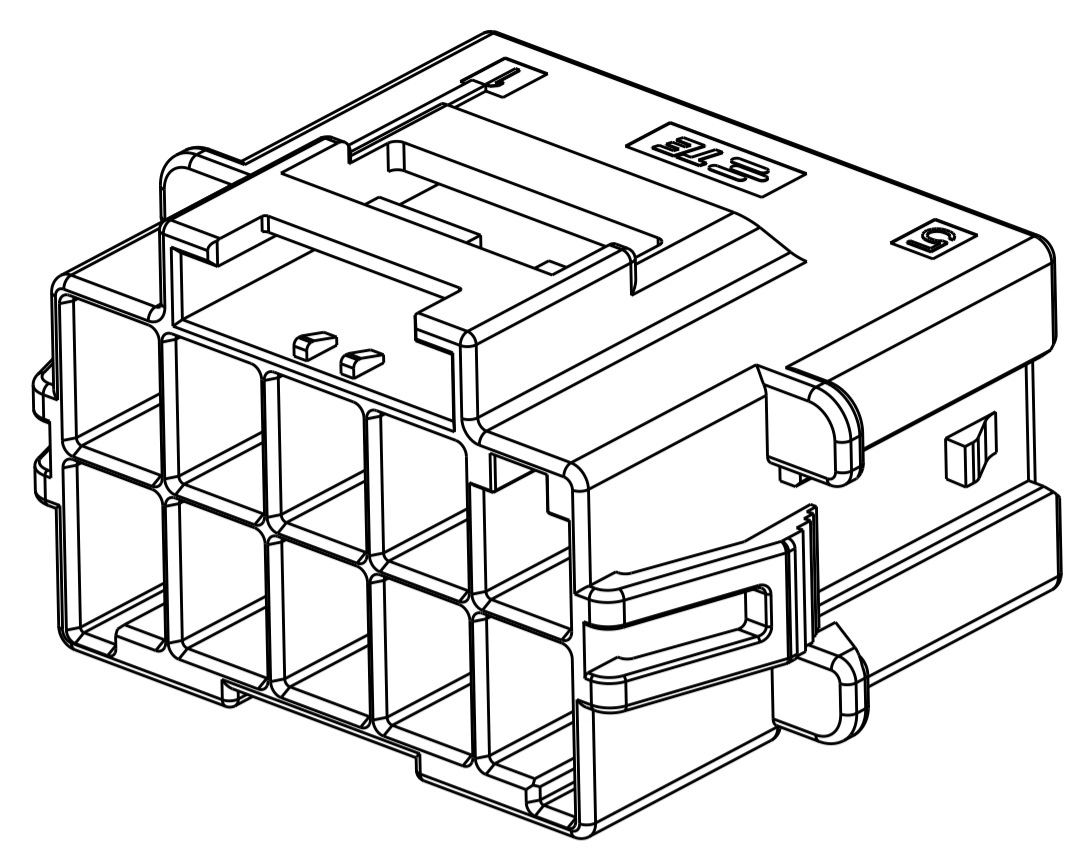
THIS DRAWING IS A CONTROLLED DOCUMENT.

DIMENSIONS:	TOLERANCES UNLESS OTHERWISE SPECIFIED:	DWN	26MAR2013
mm	0 PLC ±	CHK	TOMMY WU
	1 PLC ±0.35		HAPYE WU
	2 PLC ±0.25	APVD	YUHHONG MAO
	3 PLC ±	PRODUCT SPEC	108-106118
	4 PLC ±	APPLICATION SPEC	114-106118
	ANGLES ±	SIZE	A100779
MATERIAL	FINISH	WEIGHT	C=2232264
		Customer Drawing	SCALE

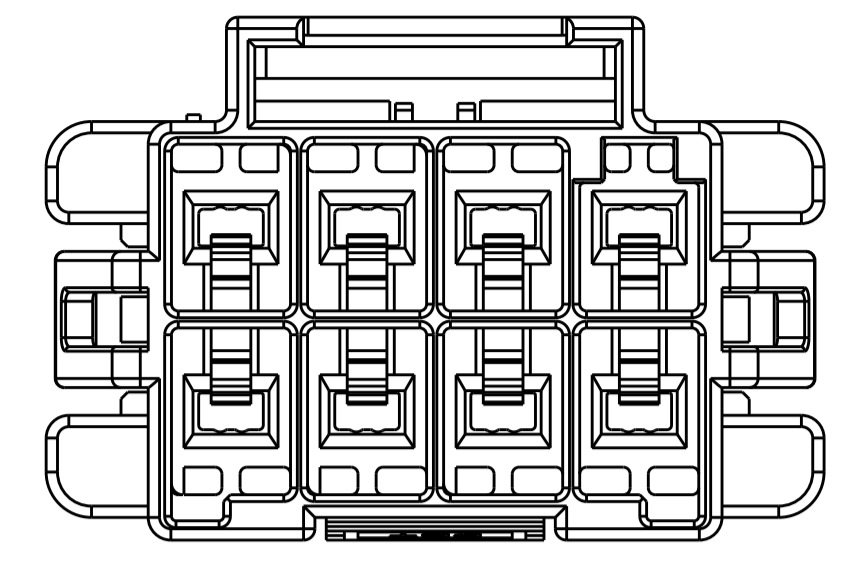
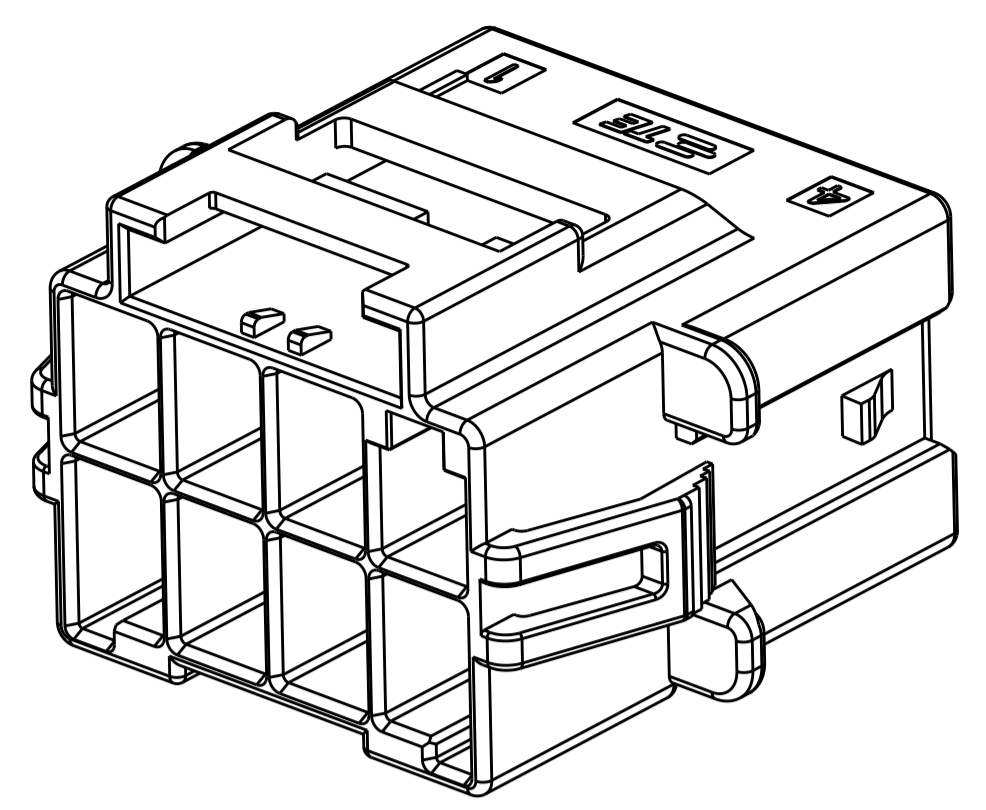
TE Connectivity
 CAP HOUSING, PANEL MOUNT, DOUBLE ROW POWER TRIPLE LOCK

RESTRICTED TO SHEET 1 OF 2 REV B3

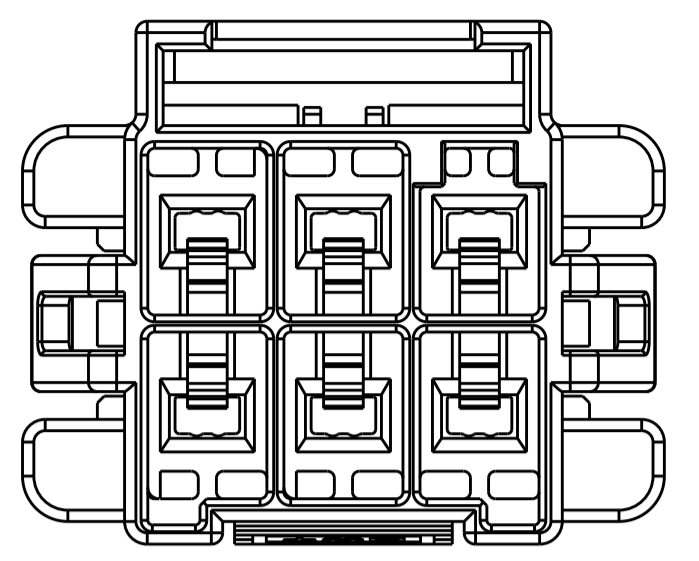
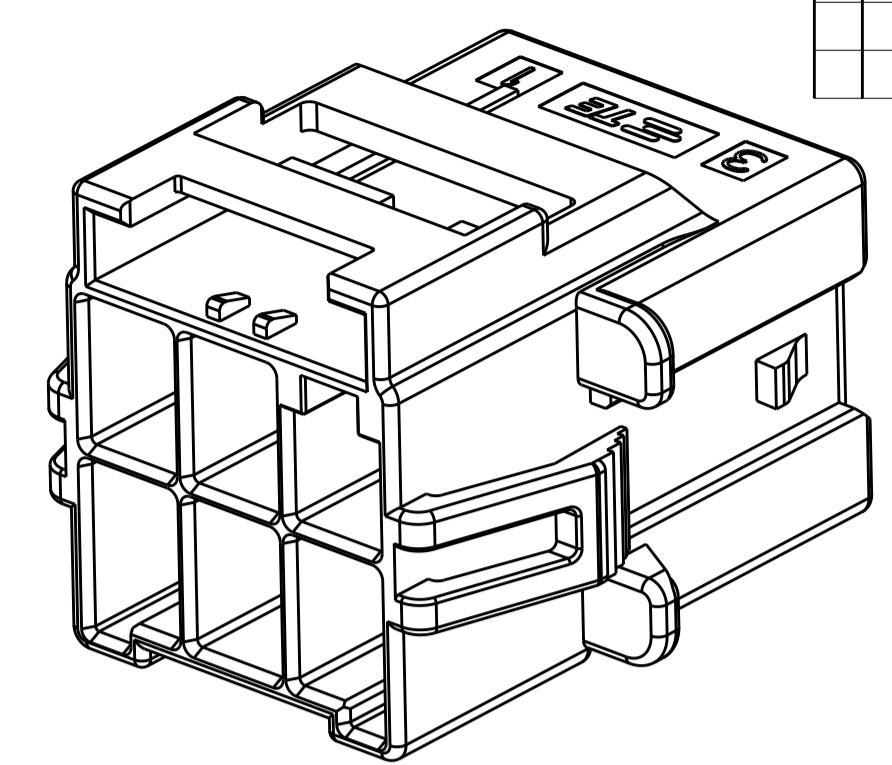
REV. NO.		REVISIONS				
LOC.	DIST.	DATE	DESCRIPTION	DATE	OWN.	APVD.
-	-	-	SEE SHEET 1	-	-	-



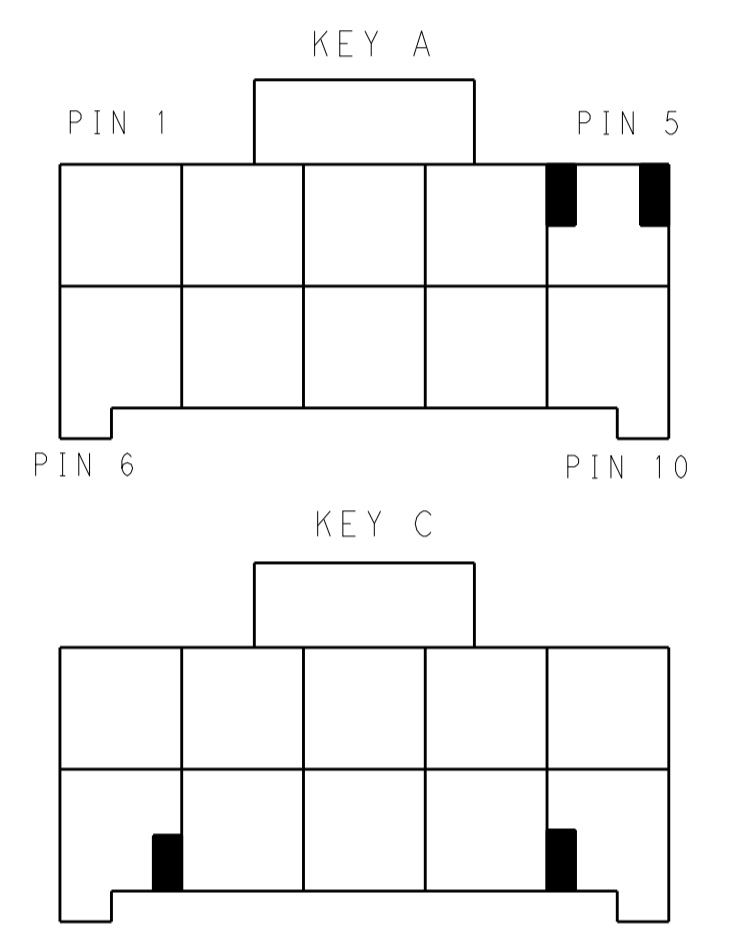
2*5 POSITIONS



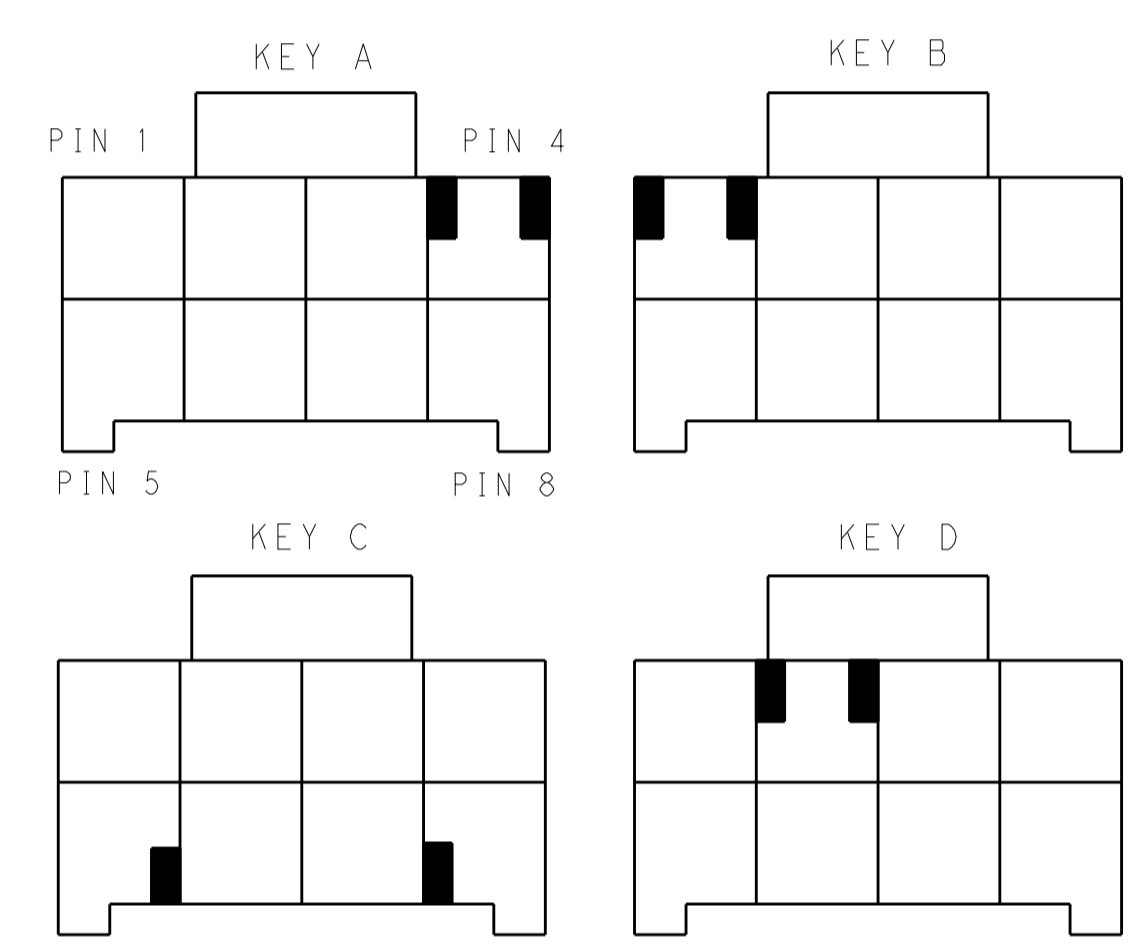
2*4 POSITIONS



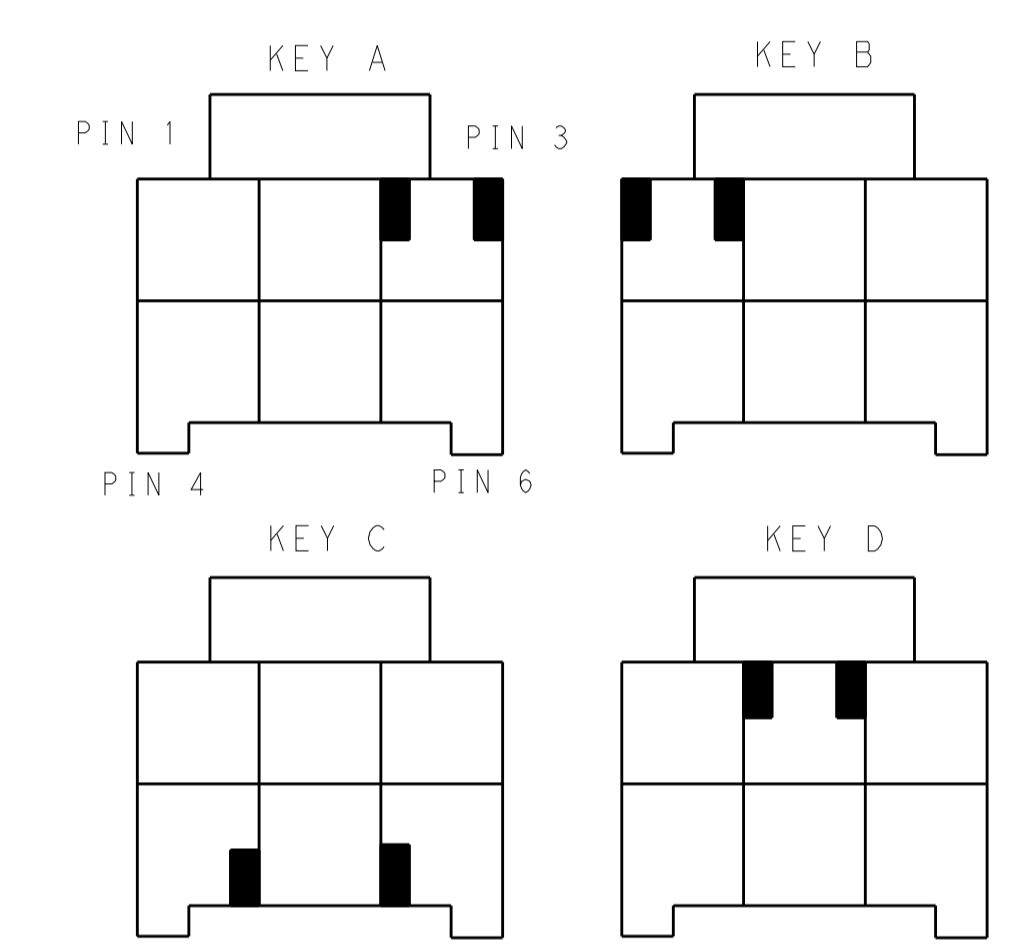
2*3 POSITIONS



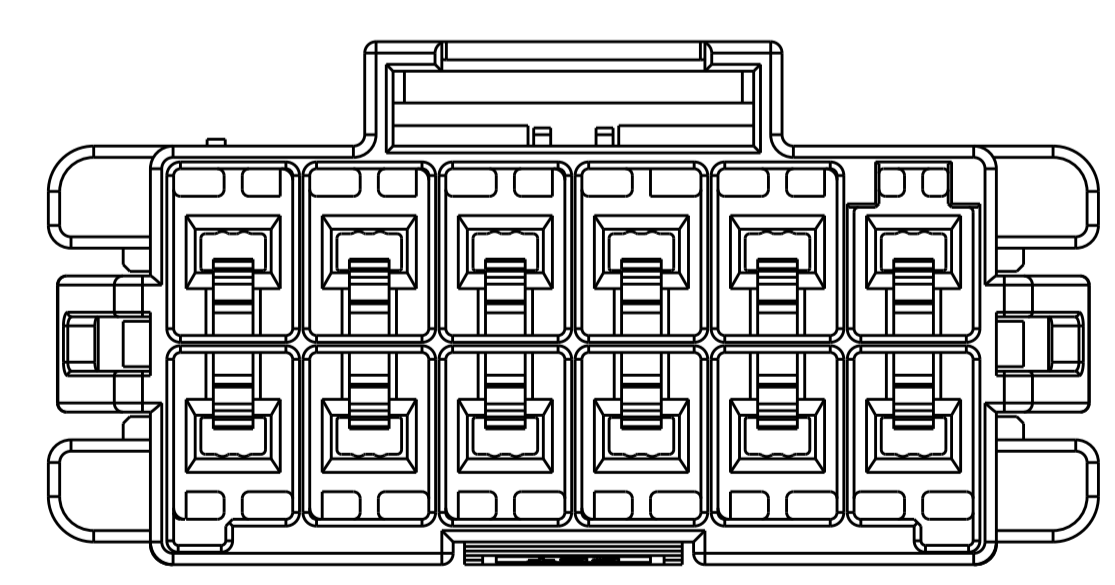
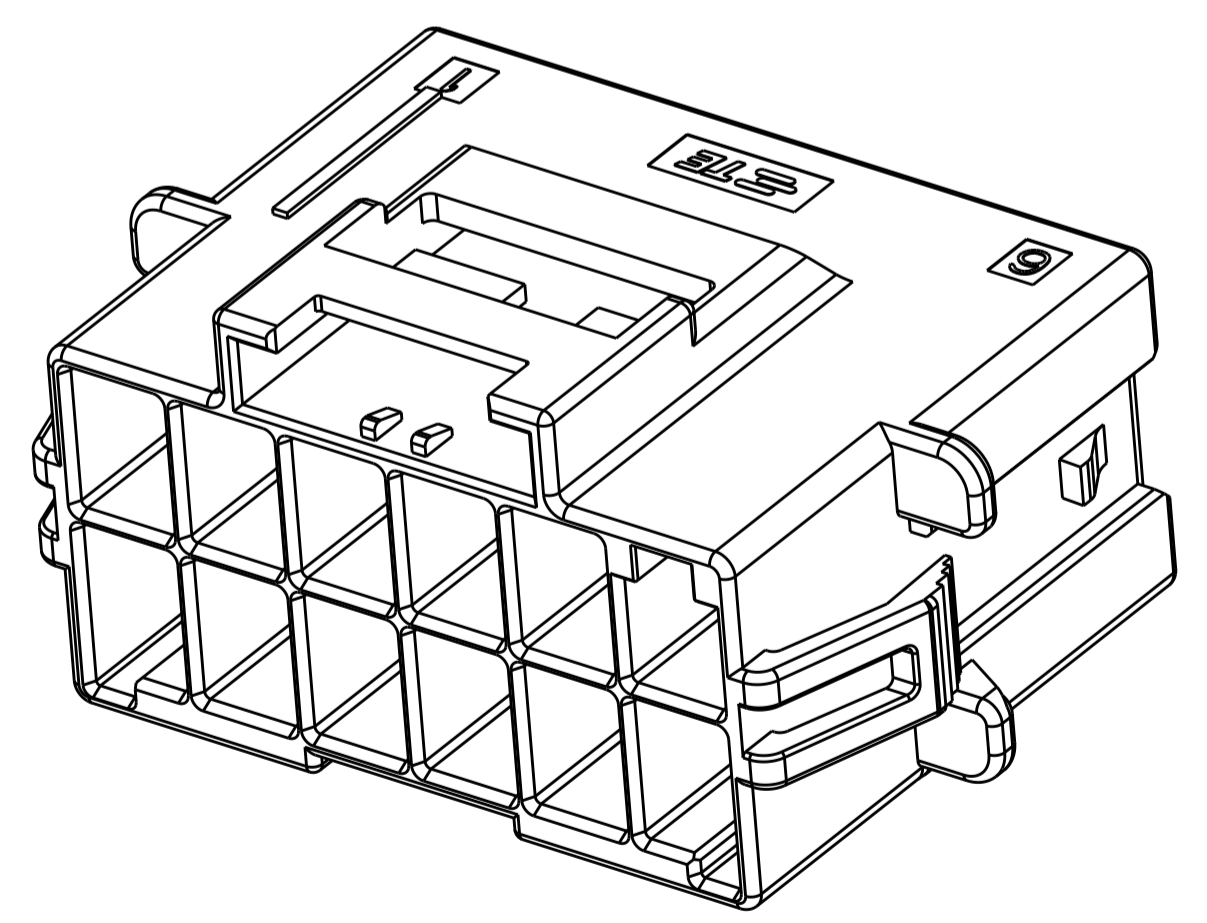
KEYING FOR 2*5 POS.



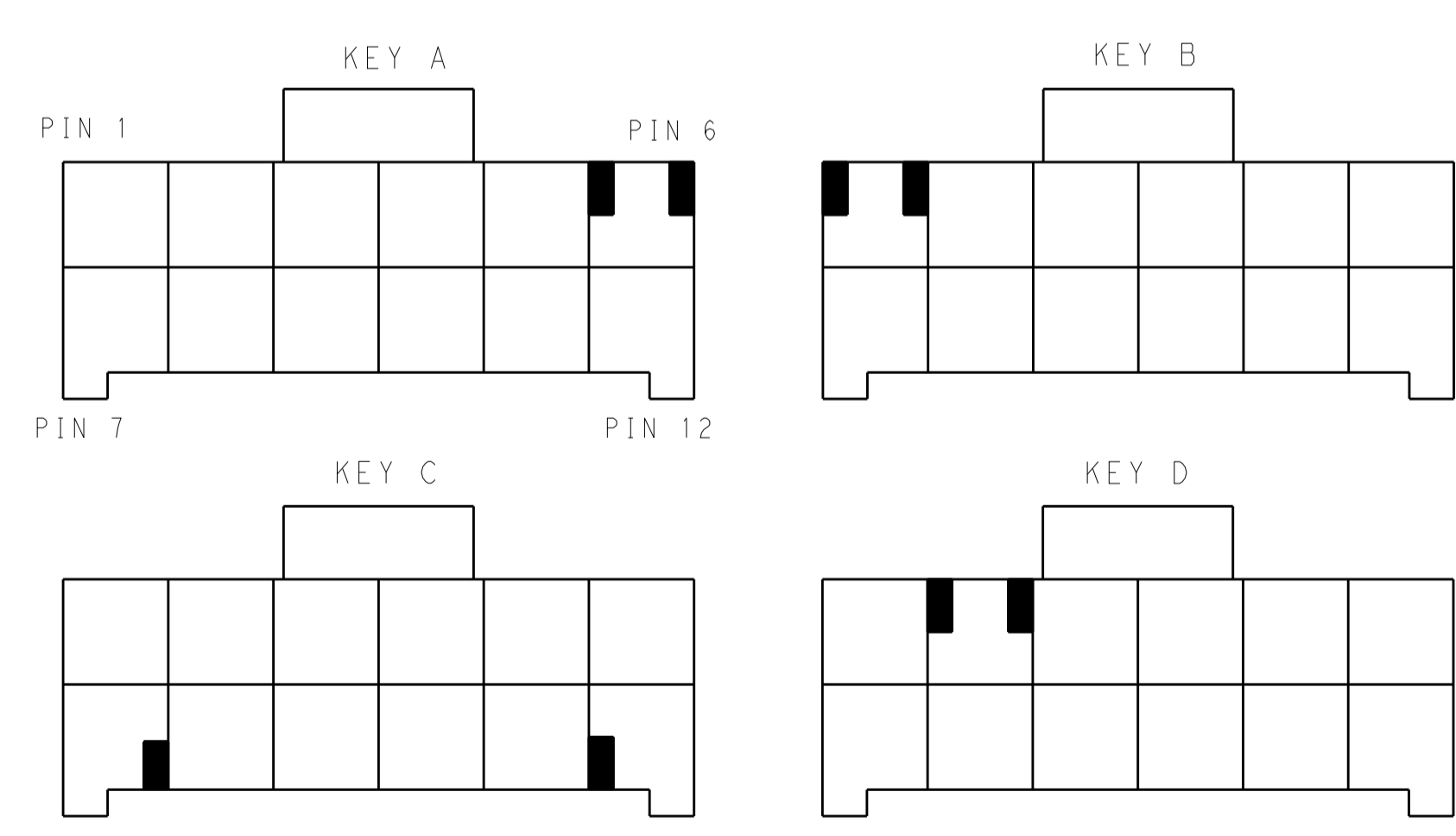
KEYING FOR 2*4 POS.



KEYING FOR 2*3 POS.



2*6 POSITIONS



KEYING FOR 2*6 POS.

POS.	MATERIAL	COLOR	KEY	P/N
2*6	LEVEL A	DARK GREY	KEY A	5-2232264-6
		BROWN	KEY B	6-2232264-6
		GREEN	KEY C	7-2232264-6
		ORANGE	KEY D	8-2232264-6
2*5	LEVEL A	DARK GREY	KEY A	5-2232264-5
		BROWN	KEY B	6-2232264-5
		GREEN	KEY C	7-2232264-5
		ORANGE	KEY D	8-2232264-5
2*4	LEVEL A	DARK GREY	KEY A	5-2232264-4
		BROWN	KEY B	6-2232264-4
		GREEN	KEY C	7-2232264-4
		ORANGE	KEY D	8-2232264-4
2*4	LEVEL B	BLACK	KEY A	1-2232264-4
		BLACK	KEY A	1-2232264-4
2*3	LEVEL A	DARK GREY	KEY A	5-2232264-3
		BROWN	KEY B	6-2232264-3
		GREEN	KEY C	7-2232264-3
		ORANGE	KEY D	8-2232264-3
2*3	LEVEL B	BLACK	KEY A	1-2232264-3
		BLACK	KEY A	1-2232264-3

THIS DRAWING IS A CONTROLLED DOCUMENT. DWN: TOMMY_WU 26MAR2013
 CHK: TOMMY_WU 26MAR2013
 APVD: HAPYE_WU 26MAR2013
 YUZHONG_MAO 26MAR2013

STE TE Connectivity

NAME: CAP HOUSING, PANEL MOUNT, DOUBLE ROW POWER TRIPLE LOCK

PRODUCT SPEC: 108-106118
 APPLICATION SPEC: 114-106118

SIZE: A1 00779 C=2232264
 SCALE: SHEET 2 OF 2 REV B3

MATERIAL: FINISH: WEIGHT: Customer Drawing

Mouser Electronics

Authorized Distributor

Click to View Pricing, Inventory, Delivery & Lifecycle Information:

[TE Connectivity:](#)

[5-2232264-6](#)