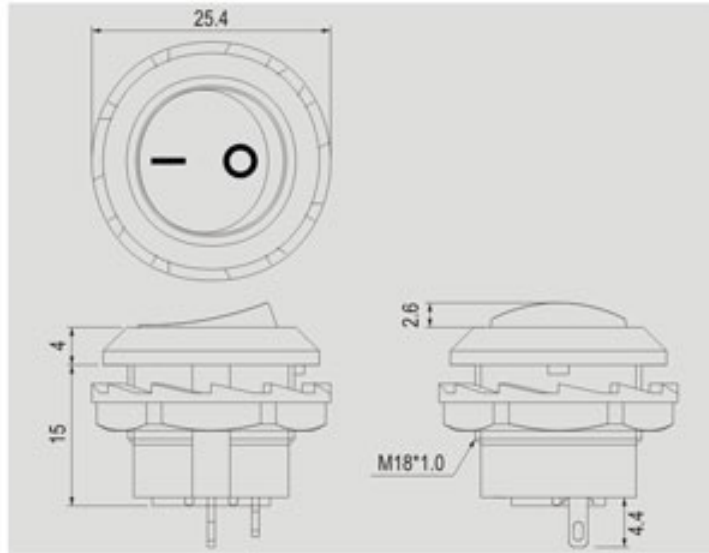
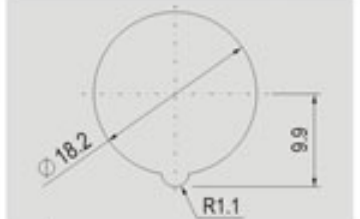


# R13-130.136

## Screw Type



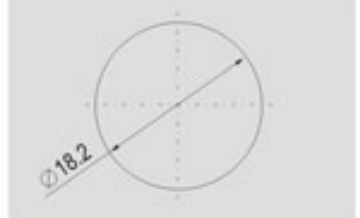
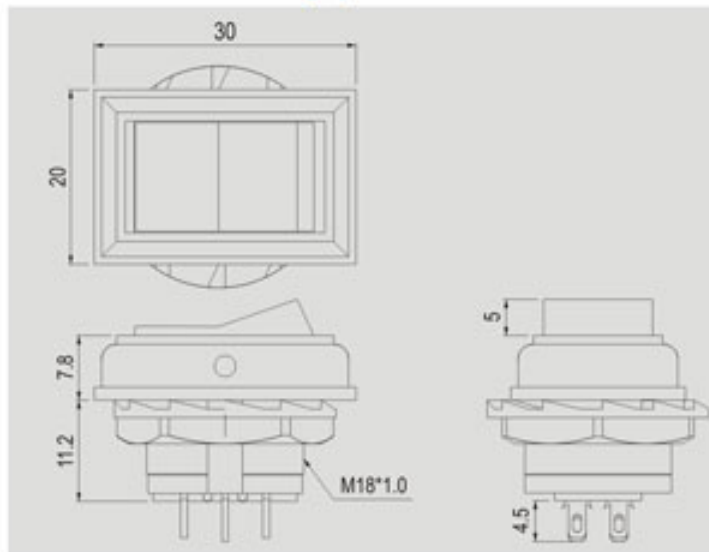
<b>Rating</b>
10A 125V AC 6A 250V AC
<b>Contact resistance</b>
50mΩ Max
<b>Insulation resistance</b>
DC 500V 100MΩ Min
<b>Dielectric strength</b>
AC 1500V 1 minute
<b>Cut-out for R13-130,136</b>



6 mm max  
Cut-out for R13-49

# R13-49

## Screw Type



6 mm max

### FEATURES

- \* MATERIAL: Actuators are nylon (UL flame: 94V-2). Terminals are silver plated brass.
- \* Phenolic base.
- \* Mounted by nut.

## R13- [ ] - [ ]

ROCKER	FUNCTION	TERMINAL
<b>1 3 0</b> 	<b>A</b>  2P SPST	<b>0 5</b> SO
<b>1 3 6</b> 	<b>B</b>  6P DPDT	
<b>4 9</b> 	<b>C</b>  3P SPDT	

