

# Rocker Switch

**Q-9414**

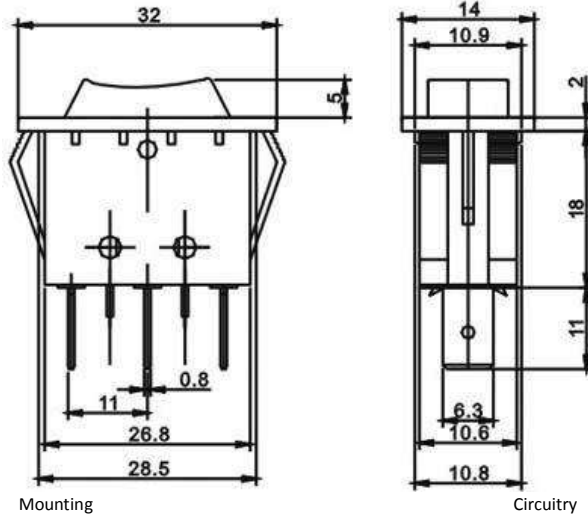
TYPE: **RS123-11C**



## SPECIFICATIONS

Contact Type: SPDT  
Rating: 10A 250V AC  
Contact R: 35mΩ max  
Insulation R: 500V DC 100MΩ min  
Dielectric Strength: 1 Minute 2000V AC  
Operating Temperature: -25°C ~ +105°C  
Electrical Life: 6, 000 Cycles

Outline Drawing



Mounting

Circuitry

