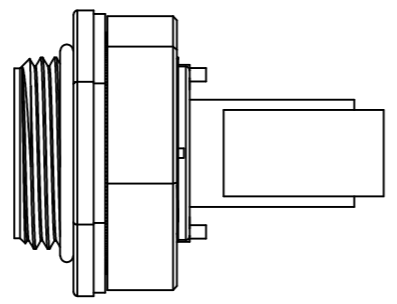
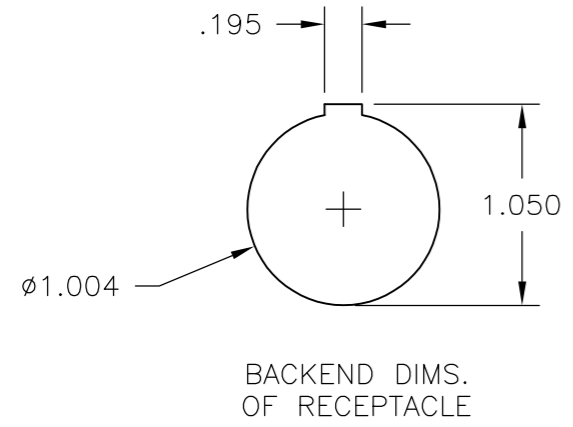
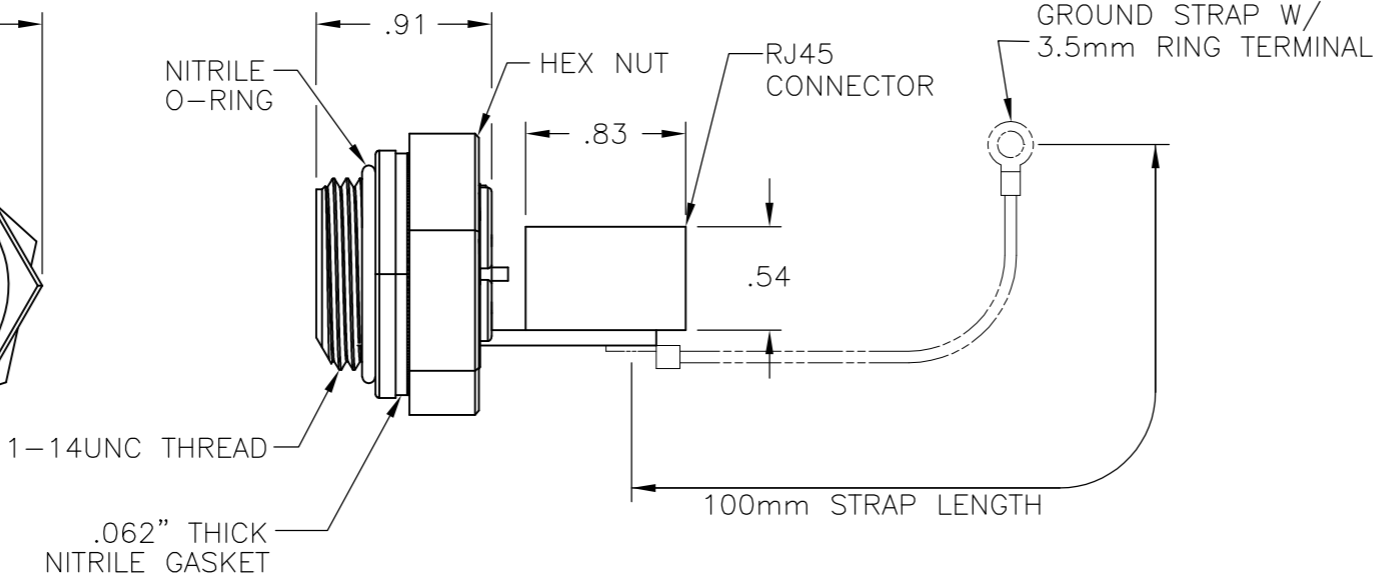
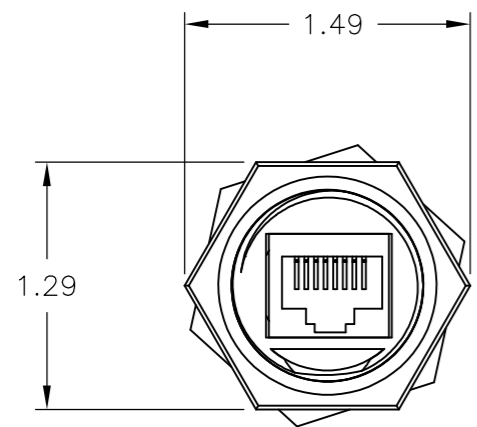


THIS DRAWING IS UNPUBLISHED. RELEASED FOR PUBLICATION  
 © COPYRIGHT - By - ALL RIGHTS RESERVED.

REVISIONS					
P	LTR	DESCRIPTION	DATE	DWN	APVD
	C3	CONTACT GOLD FINISH THICKNESS CORRECTED FROM 50µm TO 30µm AND OVERMOLD MATERIAL NOTE IS REMOVED.	26MAY2017	TJ	NG



- NOTES:
- ENVIRONMENTAL SPECIFICATIONS:  
 OPERATING TEMPERATURE: -20°C TO 80°C  
 IEC IP67 COMPLIANT
  - ELECTRICAL SPECIFICATIONS:  
 TIA/EIA RATING: CAT 5E  
 CURRENT RATING: 1.5A  
 VOLTAGE RATING: 125 V DC  
 RETURN LOSS: 5 dB AT 100 MHz
  - PHYSICAL SPECIFICATIONS:  
 O-RING MATERIAL: VITON  
 INSERT MATERIAL: ABS  
 COUPLING NUT MATERIAL: ABS  
 SHELL MATERIAL: ABS  
 PANEL THICKNESS: .125" MAX WITH GASKET  
 .187" MAX WITHOUT GASKET  
 .062" MIN  
 CONTACT FINISH: 30µm OF GOLD OVER 100µm OF NICKEL
  - SIZE OF SOLDER FILLET FROM THE SHIELD GROUND MAY VARY.



OBSOLETE	YES	1546413-4
	NO	1546413-3
SUPERSEDED	YES	1546413-2
SUPERSEDED	NO	1546413-1
	GROUND STRAP	PART NO.

STANDARD RJ45 PIN LAYOUT	
1	TO 1
2	TO 2
3	TO 3
4	TO 4
5	TO 5
6	TO 6
7	TO 7
8	TO 8

THIS DRAWING IS A CONTROLLED DOCUMENT.

DIMENSIONS: INCHES	TOLERANCES UNLESS OTHERWISE SPECIFIED:	DWN S SCHLEGEL 09OCT2002	TE Connectivity NAME RJ-45 BULKHEAD PASS THROUGH WITH BACKSIDE JACK				
	0 PLC ± -	CHK H WAKEEM 10/9/02					
	1 PLC ± -	APVD H WAKEEM 10/9/02					
MATERIAL	FINISH	PRODUCT SPEC		SIZE	CAGE CODE	DRAWING NO	RESTRICTED TO
REFER NOTES	REFER NOTES	APPLICATION SPEC	A3	00779	C-1546413		
		WEIGHT	CUSTOMER DRAWING		SCALE	SHEET	REV
					NTS	1 OF 1	C3

# Mouser Electronics

Authorized Distributor

Click to View Pricing, Inventory, Delivery & Lifecycle Information:

[TE Connectivity:](#)

[1546413-3](#)