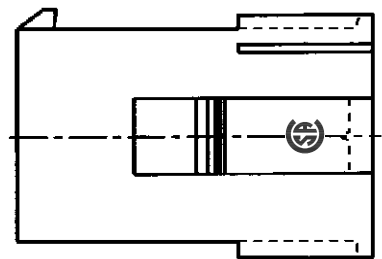
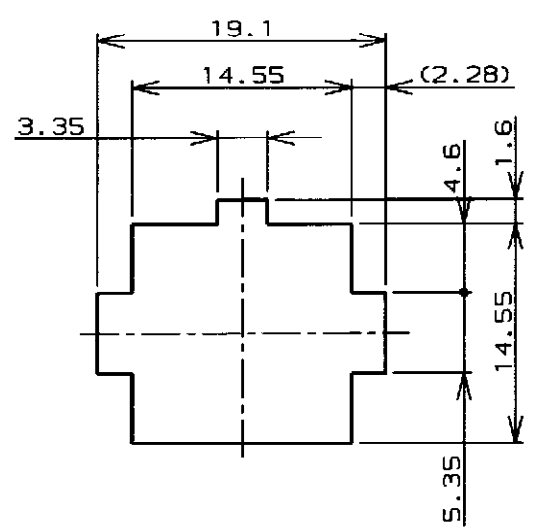
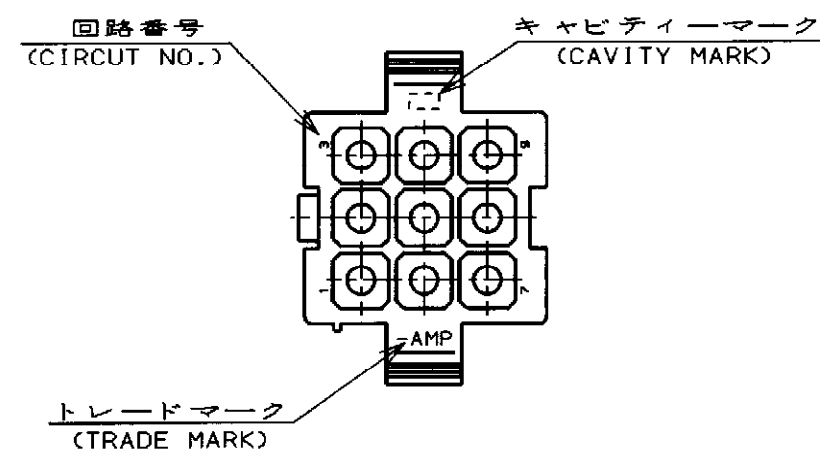
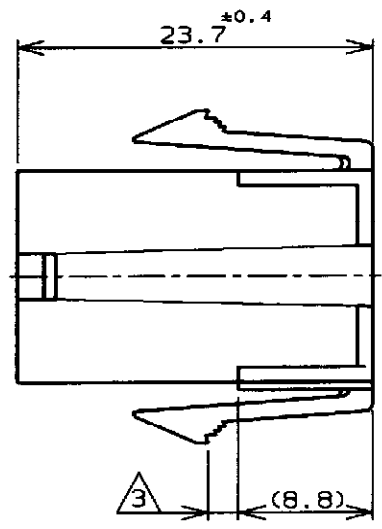
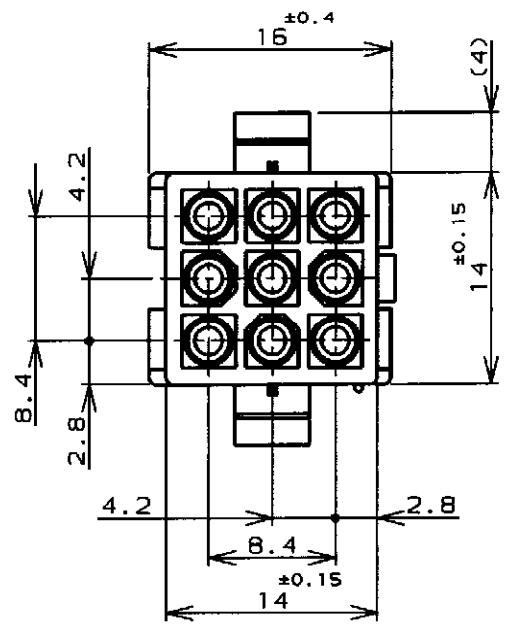


THIS DRAWING IS UNPUBLISHED. RELEASED FOR PUBLICATION
 © COPYRIGHT ALL RIGHTS RESERVED.

LOC		DIST		REVISIONS			
P	LTR	DESCRIPTION		DATE	DWN	APVD	
	E3	REVISED PER ECR-16-010553		05AUG2017	BW	SG	



注記;

1. 使用端子型番は170359, 170360, 170361, 170362
2. 嵌合相手ハウジング型番は172169
- △ 3 通用パネル厚 0.8-2.0mm
4. 取付穴打抜方向とハウジングの挿入方向は同じとする。

NOTE;

1. APPLICABLE CONT P/N: 170359, 170360, 170361, 170362
2. MATING HSG P/N: 172169
- △ 3 APPLICABLE PANEL THICKNESS: 0.8-2.0mm
4. HOUSING INSERTION INTO THE PANEL CUT-OUT MUST BE DONE IN THE SAME DIRECTION WITH PUNCH KNOCKING.
- △ 5 OBSOLETE PARTS: OBSOLETE CIS STREAMLINING PER D.RENAUD/D.SINISI

寸法公差は±0.20
(TOLERANCE: ±0.20)

パネル取付穴
(RECOMENDED PANEL OPENING DIMENSION)

△ 5
OBSOLETE

黒 (BLACK)	1-172161-9
青 (BLUE)	1-6
緑 (GREEN)	1-5
赤 (RED)	1-2
自然色 (NATURAL)	172161-1
色 (COLOR)	型番 (P/N)
WIRE RANGE 包含電線断面積	INSULATION DIA 被覆外径

DIMENSIONS: 単位・純 mm	TOLERANCES UNLESS OTHERWISE SPECIFIED 一般公差 (GENERAL TOLERANCE)	DWN	8 JUN '98	NAME 名称	9極ミニユニバーサルメイトンロックキャップハウジング (UL94V-0) 9Pos MINI UNIVERSAL MATE-N-LOCK CONN. CAP HOUSING (UL94V-0)
		CHK	15 JUN '98		
MATERIAL 材料	FINISH 仕上	APVD	15 JUN '98	SIZE	CAGE CODE
		66ナイロン UL94V-0 (GGNYLON UL94V-0)	15 JUN '98	A3	00779
		PRODUCT SPEC 製品規格 108-5138 INSTRUCTION SHEET 取り扱い説明書 IS-105J WEIGHT //		DRAWING NO 番号 C-172161	
CUSTOMER DRAWING			SCALE	SHEET	OF
			2-1	1	1
			REV	E3	

Mouser Electronics

Authorized Distributor

Click to View Pricing, Inventory, Delivery & Lifecycle Information:

[TE Connectivity:](#)

[1-172161-9](#)