

## 1/4 Wave Antenna SMA 868MHz



### Features

- 1/4 Wavelength Whip Antenna
- Rugged Flexible Plastic Finish.
- Available as BNC, SMA-Plug, M4 Screw Fixing
- Available as Straight or Hinged
- 50ohm Impedance
- Operating Temp -30 to +60°C
- Insulation resistance 500MΩ @500Vdc

### Applications

- General Low Power Radio
- M2M Applications
- Telemetry

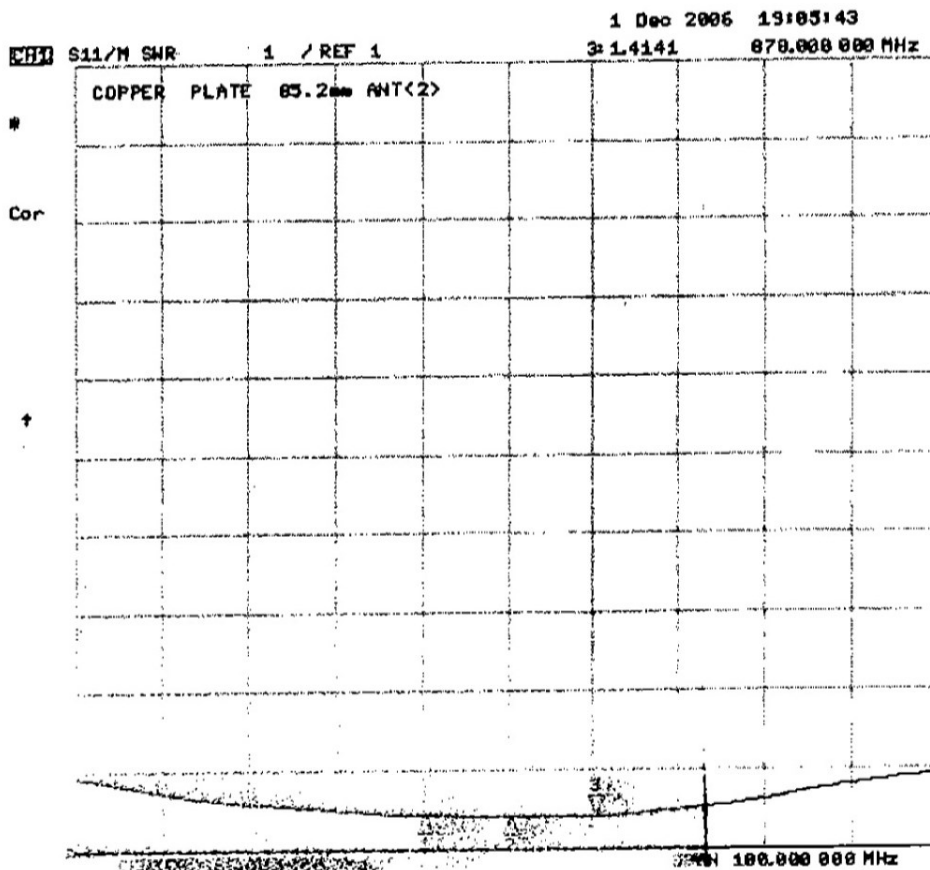
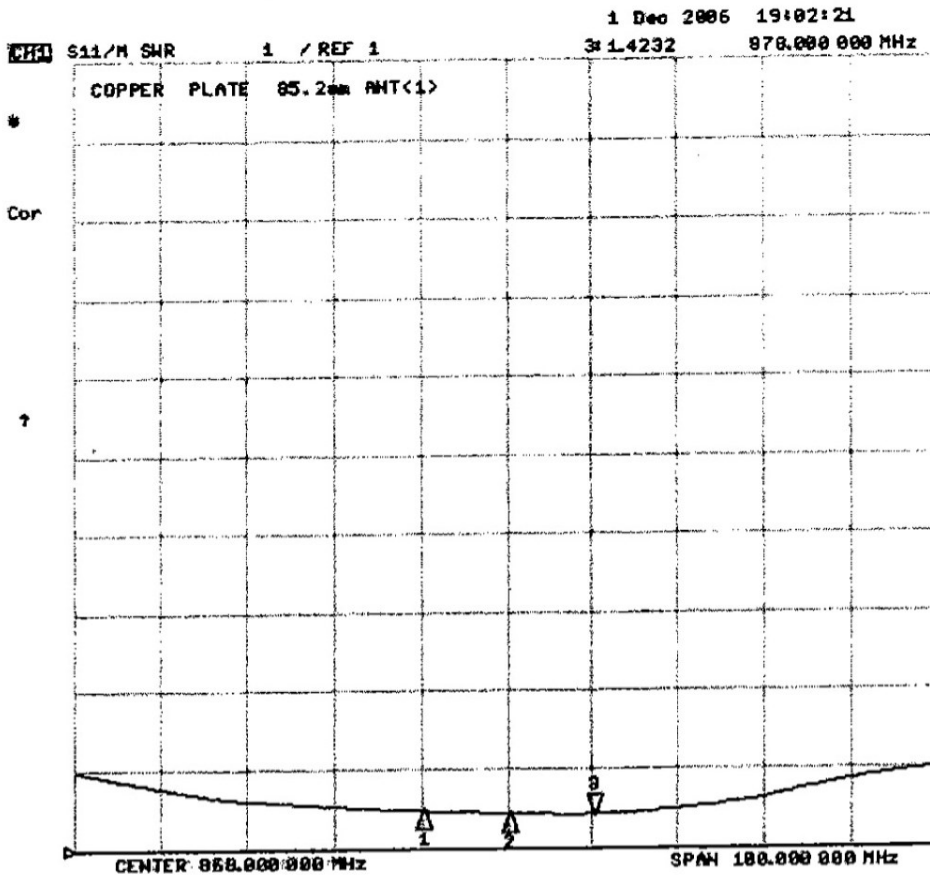
### Description

Rugged flexible 1/4 wavelength whip antenna with an SMA connection.  
Straight antenna in 868MHz.

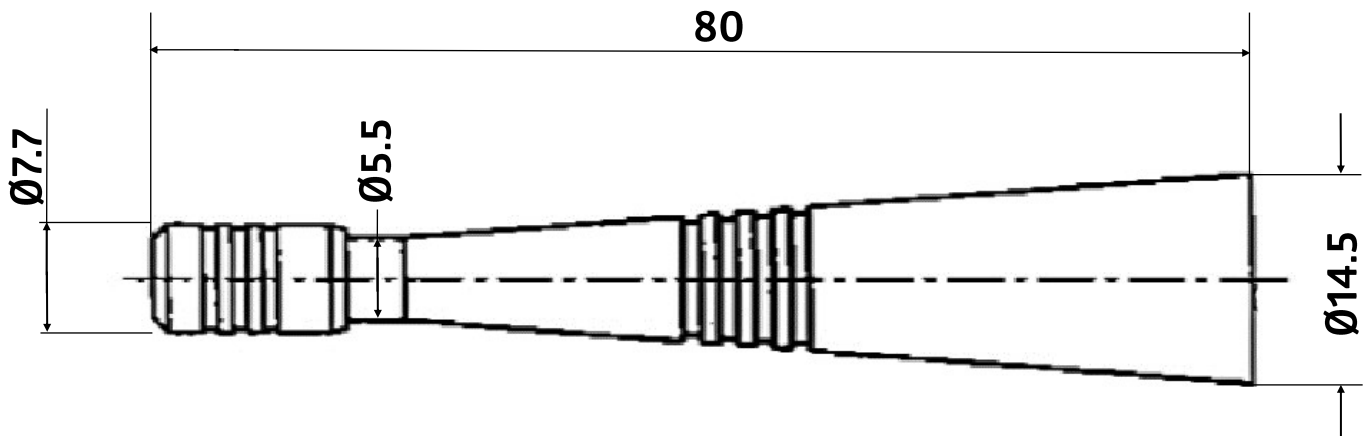
### Ordering Information

Part No	Description
FLEXI-SMA-868	Flexi Antenna 868MHz SMA

## Performance / VSWR Plot



## Mechanical Dimensions



Unit: MM

**RF Solutions Ltd. Recycling Notice  
Meets the following EC Directives:**

**DO NOT  
Discard with normal waste, please recycle.**

**ROHS Directive 2002/95/EC  
Specifies certain limits for hazardous substances.**

**WEEE Directive 2002/96/EC**  
Waste electrical & electronic equipment. This product must be disposed of through a licensed WEEE collection point. RF Solutions Ltd., fulfills its WEEE obligations by membership of an approved compliance scheme.

**Waste Batteries and Accumulators  
Directive 2006/66/EC**

Where batteries are fitted, before recycling the product, the batteries must be removed and disposed of at a licensed collection point.

**Disclaimer:**

Whilst the information in this document is believed to be correct at the time of issue, RF Solutions Ltd does not accept any liability whatsoever for its accuracy, adequacy or completeness. No express or implied warranty or representation is given relating to the information contained in this document. RF Solutions Ltd reserves the right to make changes and improvements to the product(s) described herein without notice. Buyers and other users should determine for themselves the suitability of any such information or products for their own particular requirements or specification(s). RF Solutions Ltd shall not be liable for any loss or damage caused as a result of user's own determination of how to deploy or use RF Solutions Ltd's products. Use of RF Solutions Ltd products or components in life support and/or safety applications is not authorised except with express written approval. No licences are created, implicitly or otherwise, under any of RF Solutions Ltd's intellectual property rights. Liability for loss or damage resulting or caused by reliance on the information contained herein or from the use of the product (including liability resulting from negligence or where RF Solutions Ltd was aware of the possibility of such loss or damage arising) is excluded. This will not operate to limit or restrict RF Solutions Ltd's liability for death or personal injury resulting from its negligence.

# Mouser Electronics

Authorized Distributor

Click to View Pricing, Inventory, Delivery & Lifecycle Information:

[RF Solutions:](#)

[FLEXI-SMA-868](#)