

Spare parts catalogue

ebm-papst Benelux

Version 2013



ebmpapst

ebm-papst Benelux B.V.

Engelseweg 127
NL-5705 AC Helmond
Postbus 230,
NL-5700 AE Helmond

T: +31 (0)492 50 29 00
F: +31 (0)492 50 29 50
E: verkoop@nl.ebmpapst.com
W: www.ebmpapst.nl

ebm-papst Benelux B.V.

Research Park Haasrode
Romeinsestraat 6/0101
B-3001 Heverlee-Leuven

T: +32 (0)16 39 62 00
F: +32 (0)16 39 62 20
E: info@be.ebmpapst.com
W: www.ebmpapst.be



The engineer's choice

Type	Direction of Airflow	VAC	m3/h	Page
AC axial fan				
A2D200-AA02-01	V	230/400	830	7
A2D200-AA02-02	A	230/400	830	9
A2E200-AF02-01	V	230	740	11
A2E200-AF02-02	A	230	740	13
W2E200-CF02-01	V	230	740	15
W2E200-CF02-02	A	230	740	17
A2D250-AA02-01	V	230/400	1685	19
A2D250-AA02-02	A	230/400	1685	21
A2E250-AE65-01	V	230	1610	23
A2E250-AE65-02	A	230	1610	25
W2E250-CE65-02	A	230	1610	27
A4S250-AA02-01	V	230	870	29
A4S250-AA02-02	A	230	870	31
W4S250-CA02-01	V	230	870	33
W4S250-CA02-02	A	230	870	35
A2D300-AD02-01	V	230/400	2760	37
A2D300-AD02-02	A	230/400	2760	39
A2E300-AC47-01	V	230	2440	41
A2E300-AC47-02	A	230	2440	43
W2E300-CC47-02	A	230	2440	45
S4E300-AS72-30	V	230	1690	47
S4E300-AS72-31	A	230	1690	49
S4E350-AN02-30	V	230	3305	51
S4E350-AN02-31	A	230	3305	53
S4E400-AP02-03	V	230	4235	55
S4E400-AP02-04	A	230	4235	57
S4E450-AP01-01	V	230	5705	59
AC centrifugal blower		VAC	m3/h	
G2E085-AA01-01		230	80	61
G2E108-AA01-01		230	160	63
G2E120-AR77-01		230	255	65
G2E140-AE77-01		230	370	67
R2E140-AE77-05		230	370	69
G2E140-AI28-01		230	485	71
G2E160-AY47-01		230	600	73
R2E160-AY47-01		230	600	75
G2E180-EH03-01		230	760	77
G4E180-GS11-01		230	1030	79
D2E097-BK80-02		230	400	81
D2E133-AM47-01		230	685	83
D2E133-AM47-23		230	685	85
D2E133-DM47-01		230	810	87
D4E133-AH01-55		230	510	89
D2E146-AP47-22		230	970	91
D2E146-HS97-01		230	725	93
D2E146-HT67-01		230	1060	95
D4E180-CA02-26		230	2110	97
D4E200-CA02-02		230	2380	99
D4E225-CC01-21		230	2650	101
D4E240-BA01-01		230	3490	103
R2S175-AB56-01		230	440	105
R2E190-AO26-05		230	570	107
R2E220-AA40-05		230	860	109
R2E225-AT51-05		230	850	111
R4E280-AD08-05		230	1425	113

Type		VAC	m3/h	Page
EC Centrifugal Blower				
D3G133-BF03-02		230	890	115
D3G146-LV13-01		230	1140	117
AC Compact fans				
	Size	VAC	m3/h	
8556 VW	80x80x38	230	50	119
8526 VWR-686	80x80x38	24	47	121
3956	92x92x25	230	59	123
3656	92x92x38	230	75	125
9956	119x119x25	230	117	127
4550 N	119x119x38	230	145	129
4656 N	119x119x38	230	160	131
4656Z-853	119x119x38	230	160	133
4606 N	119x119x38	115	180	135
ACi4420HH		195-265	180	137
5958	127x127x38	230	180	139
5656 S	135x135x38	230	235	141
7056 ES / W2E142BB0101	150x172x38	230	320	143
7855 ES / W2S130AA0301	150Øx55	230	325	145
7450 ES	150Øx55	230	380	147
W2E200-HK38-01		230	880	149
W2E250-HL06-01		230	1865	151
DC Compact fans				
	Size	V8 C	m3/h	
412	40x40x20	12	10	153
414	40x40x20	24	40	155
422J/2HP	40x40x28	12	25	157
612NGMLE	60x60x25	12	10	159
622HH	60x60x25	12	56	161
614F	60x60x15	24	29	163
624N	60x60x25	24	40	165
614NH	60x60x25	24	46	167
8412 N	80x80x25	12	69	169
8412 NH	80x80x25	12	79	171
8414 N	80x80x25	24	69	173
3412N	92x92x25	12	84	175
3414 N	92x92x25	24	84	177
3414 NHH	92x92x25	24	102	179
4412 FGML	119x119x25	12	114	181
4412 N	119x119x38	12	205	183
4414 F	119x119x25	24	170	185
4184 NX	119x119x38	24	180	187
4414 HH	119x119x38	24	285	189
4114 NH4	119x119x38	24	355	191
7114 N	150x38	24	360	193
6314/2TDHP	172x51	24	600	195
DV6224	172x51	24	540	197
RG160-28/14 N	220x220x56	24	209	199
Tangential fans				
QLZ06/1800-2518		VAC	m3/h	201
Q and IQ motors				
M4Q045-BD01-75		VAC	W	203
M4Q045-CA01-75		230	5	
M4Q045-CA03-75		230	7	
M4Q045-CA03-75		230	10	
M4Q045-CF01-75		230	16	
M4Q045-DA01-75		230	18	
M4Q045-DA05-75		230	23	
M4Q045-EA01-75		230	25	
M4Q045-EF01-75		230	34	
IQ3612 / 55330.01083		230		
IQ3620 / 55330.01150		230		
Motors				
		VAC	Cable length	205
M4S068BF0819		230	600	
M4S068BF0814		230	1000	205
				209

				Page
Type				
Capacitors		uF		206
280F00031		1		
280F00069		1.5		
280F00033		2		
280F00035		3		
280F00036		4		
280F00037		5		
280F00038		6		
280F00039		8		
280F00040		10		
280F00041		12		
280F00042		14		
280F00043		16		
280F00044		20		
280F00045		25		
280F00046		35		
Guard grilles		Fan series		207
LZ29-1		400		
LZ36		7000		
LZ28-1		600		
LZ23-1		3000		
LZ32-4		8000		
LZ30-4		9000/4000		
LZ25		5100/5600		
VR107		9000/4000		
LZ60		9000/4000		
LZ35		5000		
Transformer Speed Controllers	Productcode	VAC	A	208
TMV2-2,2	280F00085	230	2.2	
TMV2-3	280F00086	230	3.0	
TMV2-5	280F00087	230	5.0	
TMV2-7	280F00088	230	7.0	
TMV2-13,6	280F00089	230	13.6	
TMV3-4	280F00090	400	4.0	
TMV3-7	280F00091	400	7.0	
Speed controler	Product code	Mounting	A	210
2297-AG-110	280F00023	Surface	2.5	
2297-UCJ-110-212	280F00020	Built-in	2.5	
Attachment 1	Type			211
Connection leads EC / Cables	D3G146LV1301			

General information

Images used in this catalogue are an indication of the products described and may not be photographs of the actual product.

The technical drawings (with dimensions) do match the described product of that page.

The prices printed were current on the day of production of this catalogue. We reserve the right to alter prices at any time without prior notice. The price on our invoice is final.

All orders are shipped ex works.

Our general terms and conditions apply to all our price quotes, orders, etc.

All rights reserved. Nothing from this publication (edition) may be multiplied, saved in an automatic data file, made public, in any shape or way, either electronic, mechanical by photocopy, recording or any other way, without prior written approval from ebm-papst Benelux BV.

Terms of delivery

- Delivery:** ex-works Helmond.
To all our quotations and transactions the general conditions of sales and delivery for the metal- and electro technical industry FME CWM are applicable, as filed with the county-court at The Hague on 19th, October 1998 under number 119/1998.
At request we will sent you a copy.
- Transport:** On the basis of calculation before shipment of weight and size.
- Handling costs:** When the order amount is < € 500,00 we will charge an extra € 35,00 for handling.
- Payment:** Payable in advance (invoice will be faxed) / cash on delivery (extra costs € 11,50). When payable in advance goods will be ordered or sent after receipt of payment.

Contact information**ebm-papst Benelux**

Sales office
The Netherlands

Engelseweg 127
NL-5705 AC Helmond
P.O. box 230
NL-5700 AE Helmond

T: +31 (0)492 502 900
F: +31 (0)492 502 950
E: verkoop@nl.ebmpapst.com
W: www.ebmpapst.nl

Sales office
Belgium-Luxemburg

Romeinsestraat 6/0101
Researchpark Haasrode
B-3001 Heverlee-Leuven

T: +32 (0)16 396 200
F: +32 (0)16 396 220
E: info@be.ebmpapst.com
W: www.ebmpapst.be



Material : Rotor coated Black
Blades coated black steelplate

Direction of rotation Left CCW seen on rotor

Number of blades: 5

Protection: IP44

Isolation: B

Condensate discharges Rotor side

Mounting position: Free, Rotor on top on request

Mode of operation: Continuous S1

Bearings Maintenance free ball bearings

Motorprotection Integrated temperature switches

Cable Axial out of stator length: 450 mm

Norm EN 60335-1

Nominal data		Voltage	Frequency	Air flow	Speed	Power consumption	Current draw	Capacitor capacity	Sound pressure level	Min. back pressure	Perm. amb. temp.	Weight
Type	Motor	VAC	Hz	m3/h	rpm	W	A	uF/V	dB (A)	Pa	C	kg
A2D200-AA02-01	M2D068CF	230/400	50	830	2800	53	0,26/0,15	-	67	-	-25..75	1,7

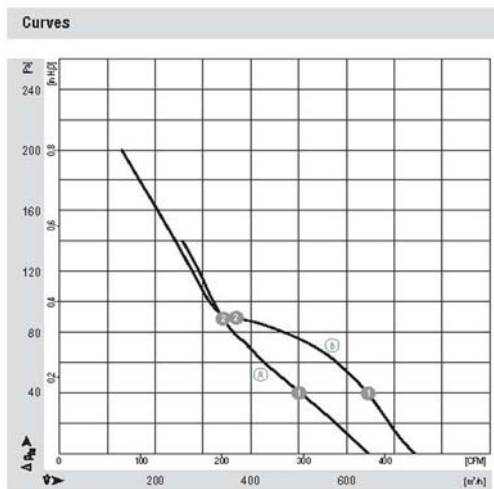
Subject to modification

Pricing

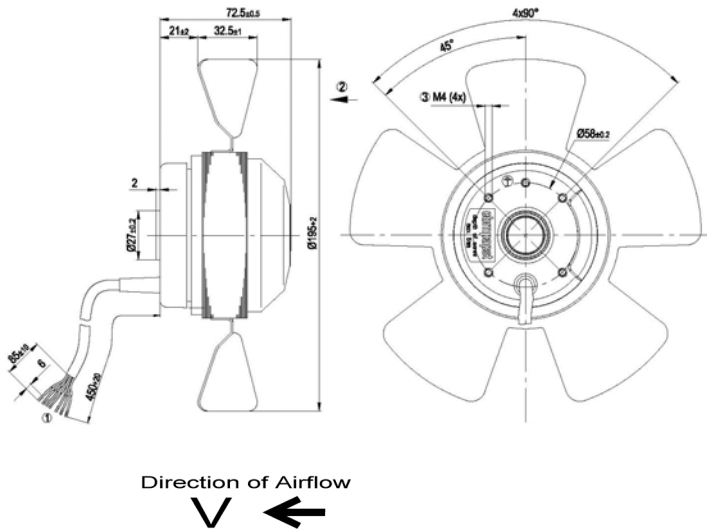
Product Code	Quantities		
	1	5-9	10>
A2D200-AA02-01	106,90	92,90	83,60

All prices are in euro, excluding VAT (BTW) Orders are shipped according to incoterms : DAP
A handling fee of € 35,00 is added to every order with a total value of less than € 500,00 (net, excl. VAT)

Pressure over air flow at 50Hz

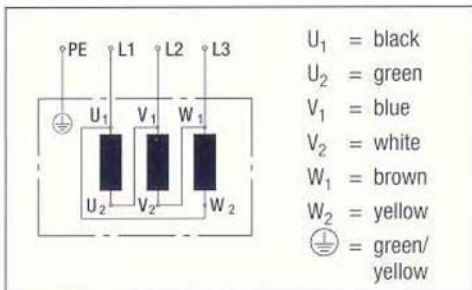


Drawing

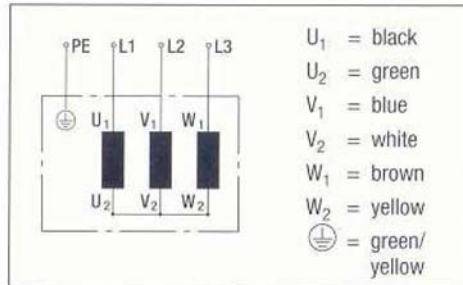


Connection illustration

Delta connection (3 phase 230VAC power system) without TOP



Star connection (3 phase 400VAC power system) without TOP





Material : Rotor coated Black
Blades coated black steelplate

Direction of rotation : Right CW seen on rotor

Number of blades: 5

Protection: IP44

Isolation: B

Condensate discharges : Rotor side

Mounting position: Free, Rotor on top on request

Mode of operation: Continuous S1

Bearings : Maintenance free ball bearings

Motorprotection : Integrated temperature switches

Cable : Axial out of stator length : 450 mm

Norm : EN 60335-1

Nominal data		Voltage	Frequency	Air flow	Speed	Power consumption	Current draw	Capacitor capacity	Sound pressure level	Min. back pressure	Perm. amb. temp.	Weight
Type	Motor	VAC	Hz	m3/h	rpm	W	A	uF/V	dB (A)	Pa	C	kg
A2D200-AA02-02	M2D068CF	230/400	50	830	2800	53	0,26/0,15	-	67	-	-25..75	1,7

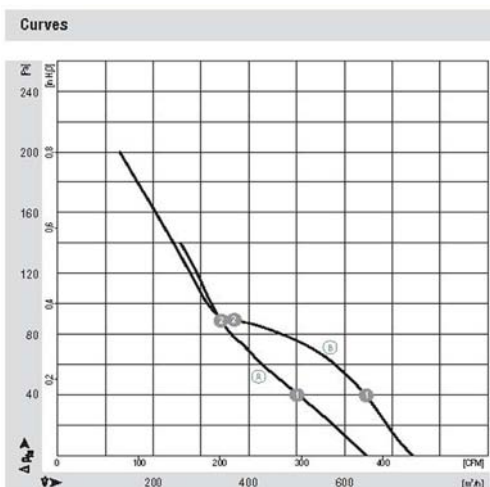
Subject to modification

Pricing

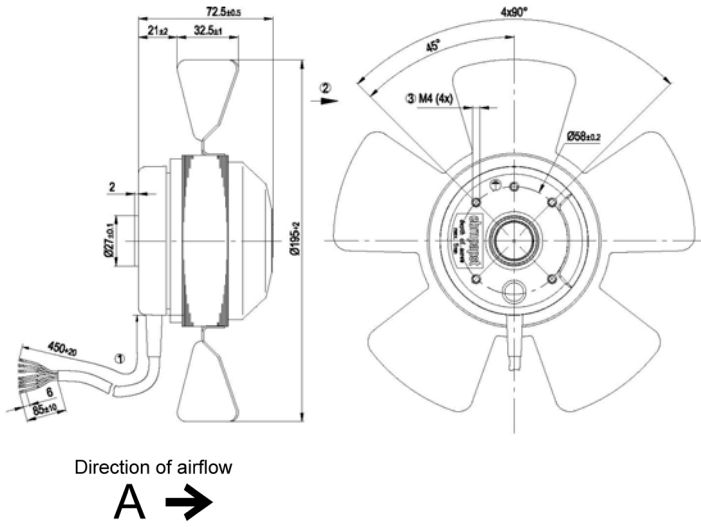
Product Code	Quantities		
	1	5-9	10>
A2D200-AA02-02	107,40	93,50	84,00

All prices are in euro, excluding VAT (BTW) Orders are shipped according to incoterms : DAP
A handling fee of € 35,00 is added to every order with a total value of less than € 500,00 (net, excl. VAT)

Pressure over air flow at 50Hz

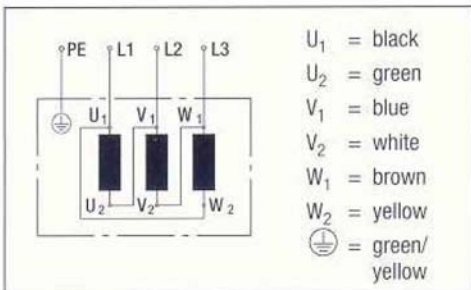


Drawing

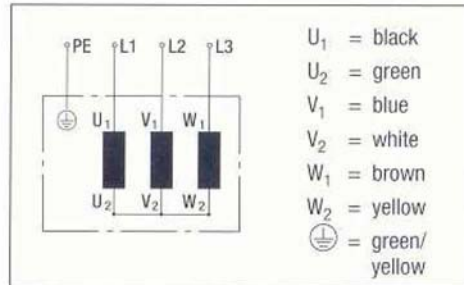


Connection illustration

Delta connection (3 phase 230VAC power system) without TOP



Star connection (3 phase 400VAC power system) without TOP





Material : Rotor coated Black
Blades coated black steelplate

Direction of rotation Left CCW seen on rotor

Number of blades: 5

Protection: IP44

Isolation: B

Condensate discharges Rotor side

Mounting position: Free, Rotor on top on request

Mode of operation: Continuous S1

Bearings Maintenance free ball bearings

Motorprotection Integrated temperature switches

Cable Axial out of stator length : 450 mm

Norm EN 60335-1

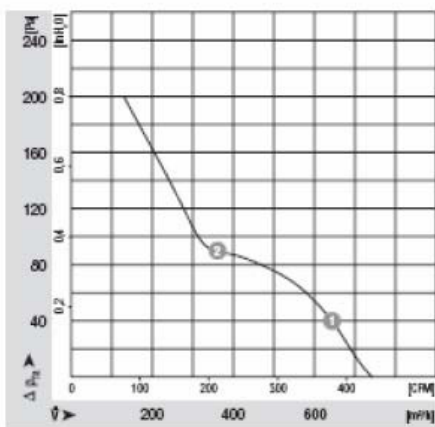
Nominal data		Voltage	Frequency	Air flow	Speed	Power consumption	Current draw	Capacitor capacity	Sound pressure level	Min. back pressure	Perm. amb. temp.	Weight
Type	Motor	VAC	Hz	m3/h	rpm	W	A	uF/V	dB (A)	Pa	C	kg
A2E200-AF02-01	M2E068CA	230	50	740	2740	50	0,24	1,5/400	65	-	-25..75	1,4

Subject to modification

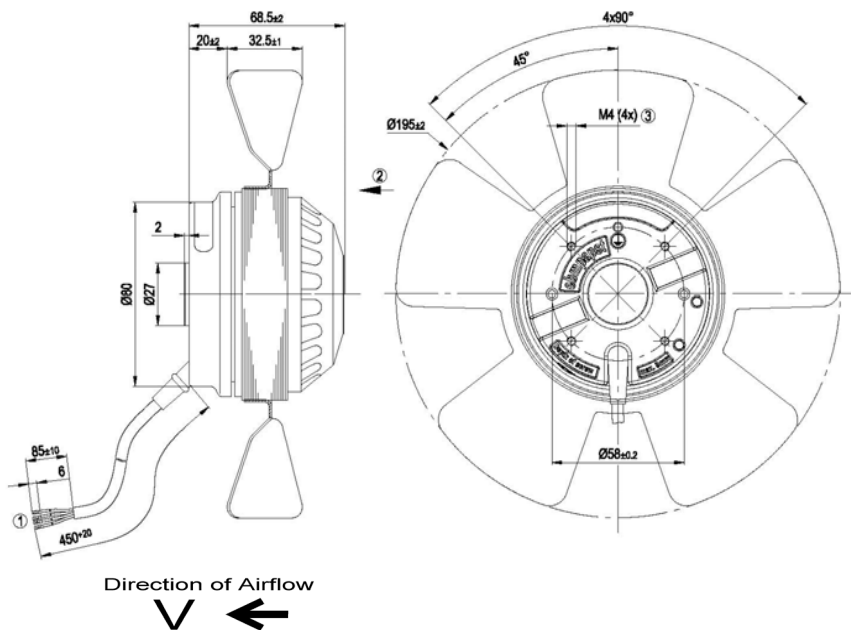
Product Code	Quantities			Accessories		
	1	5-9	10>	Capacitor	1-9	10-49
A2E200-AF02-01	92,40	80,40	72,40	280F00032		

All prices are in euro, excluding VAT (BTW) Orders are shipped according to incoterms : DAP
A handling fee of € 35,00 is added to every order with a total value of less than € 500,00 (net, excl. VAT)

Pressure over air flow at 50Hz

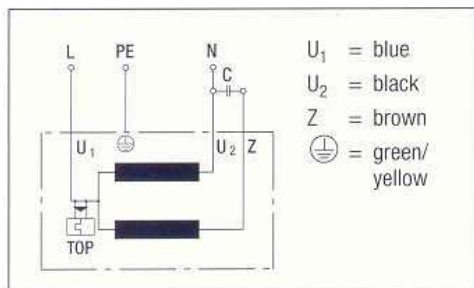


Drawing



Connection illustration

Single-phase capacitor motor with TOP wired internally





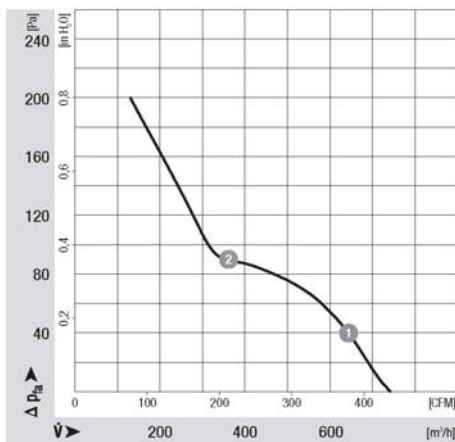
Material :	Rotor coated Black Blades coated black steelplate
Direction of rotation	Right CW seen on rotor
Number of blades:	5
Protection:	IP44
Isolation:	B
Condensate discharges	Rotor side
Mounting position:	Free, Rotor on top on request
Mode of operation:	Continuous S1
Bearings	Maintenance free ball bearings
Motorprotection	Integrated temperature switches
Cable	Axial out of stator length : 450 mm
Norm	EN 60335-1

Nominal data		Voltage	Frequency	Air flow	Speed	Power consumption	Current draw	Capacitor capacity	Sound pressure level	Min. back pressure	Perm. amb. temp.	Weight
Type	Motor	VAC	Hz	m3/h	rpm	W	A	uF/V	dB (A)	Pa	C	kg
A2E200-AF02-02	M2E068CA	230	50	740	2740	50	0,24	1,5/400	65	-	-25..75	1,4
Subject to modification												

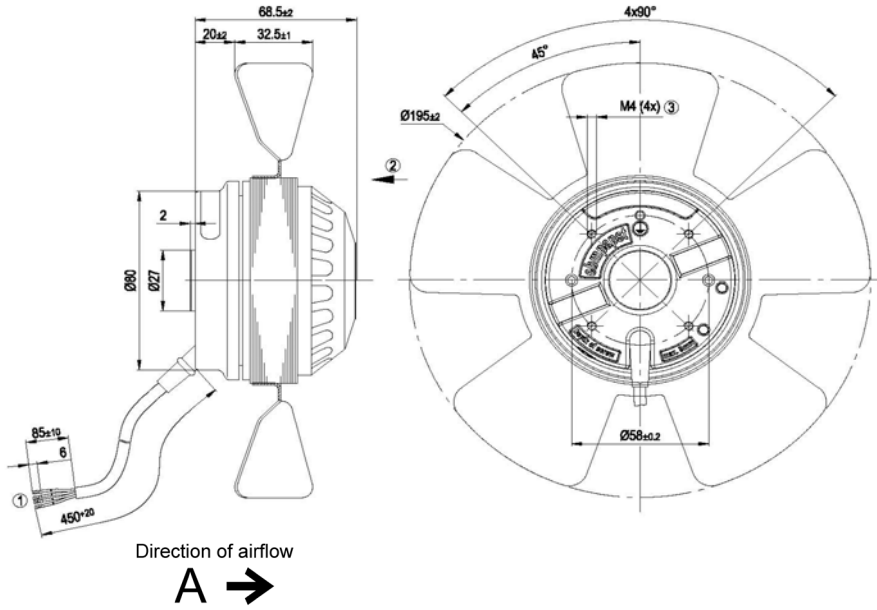
Pricing	Quantities			Accessories		
	1	5-9	10>	Capacitor	1-9	10-49
Product Code						
A2E200-AF02-02	92,40	80,40	72,40	280F00032		

All prices are in euro, excluding VAT (BTW) Orders are shipped according to incoterms : DAP
 A handling fee of € 35,00 is added to every order with a total value of less than € 500,00 (net, excl. VAT)

Pressure over air flow at 50Hz

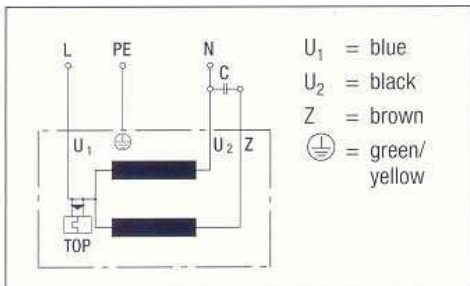


Drawing



Connection illustration

Single-phase capacitor motor with TOP wired internally





Material : Rotor coated Black
Blades coated black steelplate

Direction of rotation Left CCW seen on rotor

Number of blades: 5

Protection: IP44

Isolation: B

Condensate discharges Rotor side

Mounting position: Free, Rotor on top on request

Mode of operation: Continuous S1

Bearings Maintenance free ball bearings

Motorprotection Integrated temperature switches

Cable Axial out of stator length : 450 mm

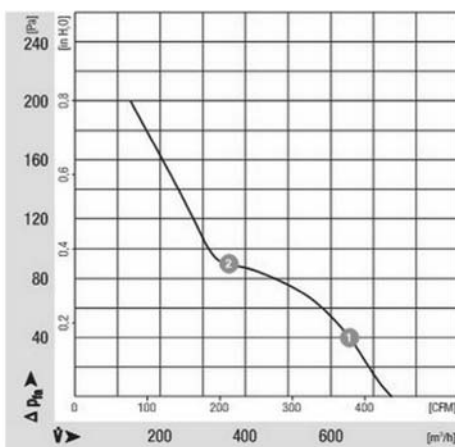
Norm EN 60335-1

Nominal data		Voltage	Frequency	Air flow	Speed	Power consumption	Current draw	Capacitor capacity	Sound pressure level	Min. back pressure	Perm. amb. temp.	Weight
Type	Motor	VAC	Hz	m3/h	rpm	W	A	uF/V	dB (A)	Pa	C	kg
W2E200-CF02-01	M2E068CA	230	50	740	2740	50	0,24	1,5/400	65	-	-25..75	1,4
Subject to modification												

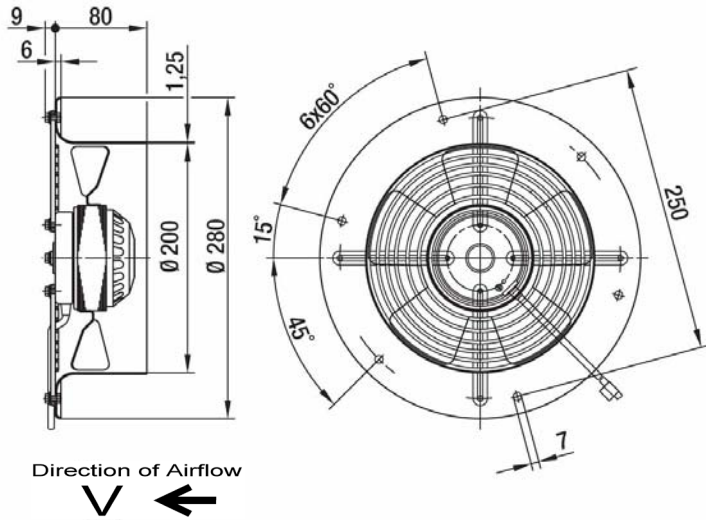
Product Code	Quantities			Accessories		
	1	5-9	10>	Capacitor	1-9	10-49
W2E200-CF02-01	134,00	116,50	104,90	280F00032		

All prices are in euro, excluding VAT (BTW) Orders are shipped according to incoterms : DAP
A handling fee of € 35,00 is added to every order with a total value of less than € 500,00 (net, excl. VAT)

Pressure over air flow at 50Hz

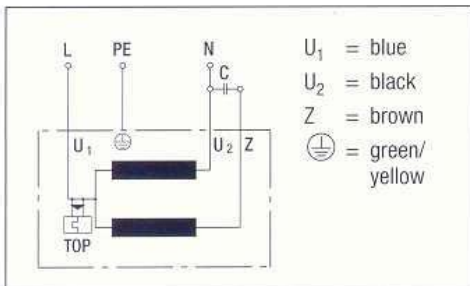


Drawing



Connection illustration

Single-phase capacitor motor with
TOP wired internally





Material : Rotor coated Black
Blades coated black steelplate

Direction of rotation Right CW seen on rotor

Number of blades: 5

Protection: IP44

Isolation: B

Condensate discharges rotor side

Mounting position: Free, Rotor on top on request

Mode of operation: Continuous S1

Bearings Maintenance free ball bearings

Motorprotection Integrated temperature switches

Cable Axial out of stator length : 450 mm

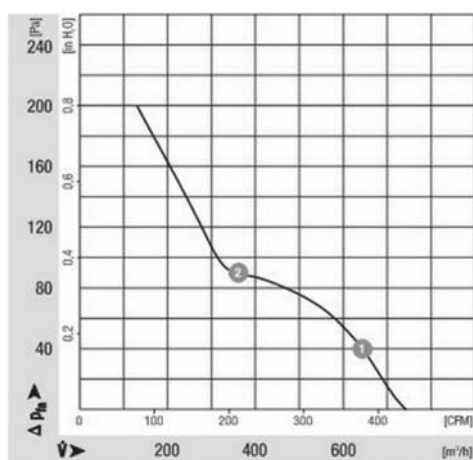
Norm EN 60335-1

Nominal data		Voltage	Frequency	Air flow	Speed	Power consumption	Current draw	Capacitor capacity	Sound pressure level	Min. back pressure	Perm. amb. temp.	Weight
Type	Motor	VAC	Hz	m3/h	rpm	W	A	uF/V	dB (A)	Pa	C	kg
W2E200-CF02-02	M2E068CA	230	50	740	2740	50	0,24	1,5/400	65	-	-25..75	1,4
Subject to modification												

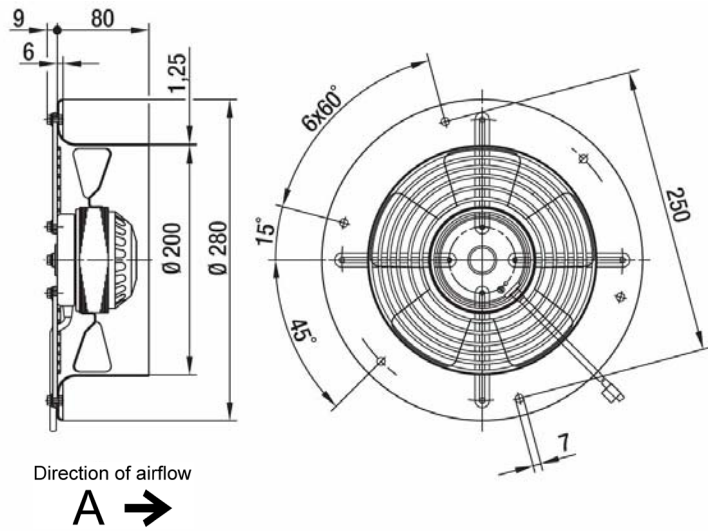
Pricing	Quantities			Accessories		
	1	5-9	10>	Capacitor	1-9	10-49
Product Code	1	5-9	10>	Capacitor	1-9	10-49
W2E200-CF02-02	134,00	116,50	104,90	280F00032		

All prices are in euro, excluding VAT (BTW) Orders are shipped according to incoterms : DAP
A handling fee of € 35,00 is added to every order with a total value of less than € 500,00 (net, excl. VAT)

Pressure over air flow at 50Hz

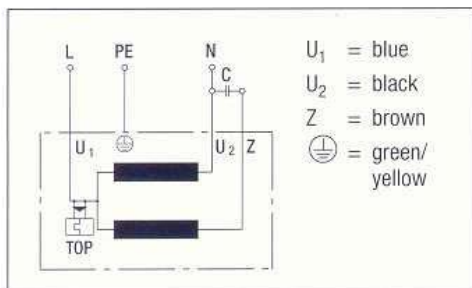


Drawing



Connection illustration

Single-phase capacitor motor with
TOP wired internally





Material : Rotor coated Black
Blades coated black steelplate

Direction of rotation Left CCW seen on rotor

Number of blades: 5

Protection: IP44

Isolation: B

Condensate discharges Rotor side

Mounting position: Free, Rotor on top on request

Mode of operation: Continuous S1

Bearings Maintenance free ball bearings

Motorprotection Integrated temperature switches

Cable Axial out of stator length : 450 mm

Norm EN 60335-1

Nominal data		Voltage	Frequency	Air flow	Speed	Power consumption	Current draw	Capacitor capacity	Sound pressure level	Min. back pressure	Perm. amb. temp.	Weight
Type	Motor	VAC	Hz	m3/h	rpm	W	A	uF/V	dB (A)	Pa	C	kg
A2D250-AA02-01	M2D068DF	230/400	50	1685	2650	110	0,38/0,22	-	72	-	-25..70	2,2

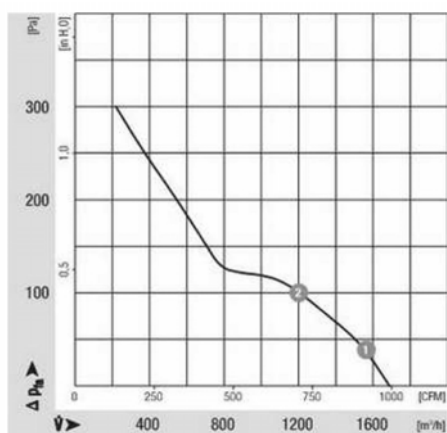
Subject to modification

Pricing

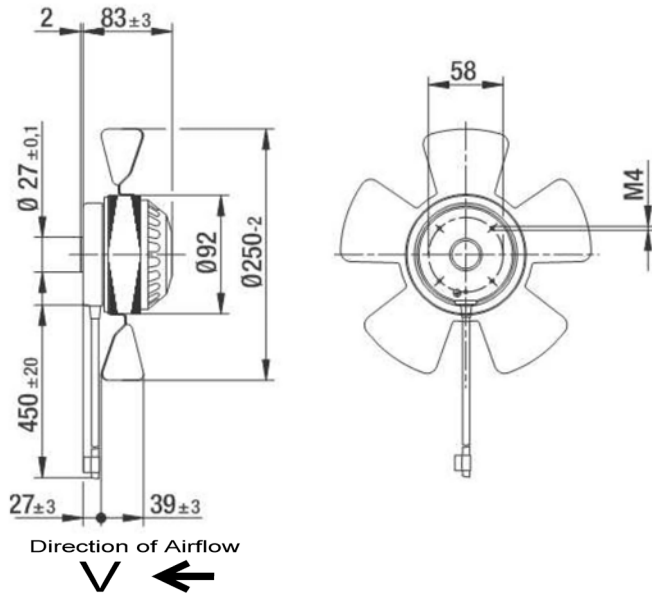
Product Code	Quantities		
	1	5-9	10>
A2D250-AA02-01	123,00	106,90	96,20

All prices are in euro, excluding VAT (BTW) Orders are shipped according to incoterms : DAP
A handling fee of € 35,00 is added to every order with a total value of less than € 500,00 (net, excl. VAT)

Pressure over air flow at 50Hz

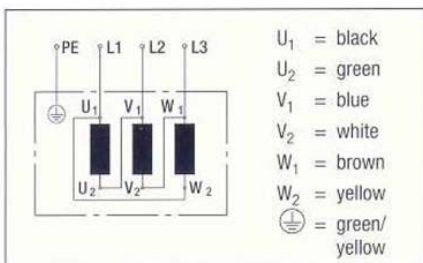


Drawing

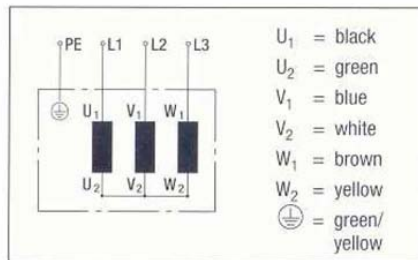


Connection illustration

Delta connection (3 phase 230VAC power system) without TOP



Star connection (3 phase 400VAC power system) without TOP





Material : Rotor coated Black
Blades coated black steelplate

Direction of rotation Right CW seen on rotor

Number of blades: 5

Protection: IP44

Isolation: B

Condensate discharges Rotor side

Mounting position: Free, Rotor on top on request

Mode of operation: Continuous S1

Bearings Maintenance free ball bearings

Motorprotection Integrated temperature switches

Cable Axial out of stator length : 450 mm

Norm EN 60335-1

Nominal data		Voltage	Frequency	Air flow	Speed	Power consumption	Current draw	Capacitor capacity	Sound pressure level	Min. back pressure	Perm. amb. temp.	Weight
Type	Motor	VAC	Hz	m3/h	rpm	W	A	uF/V	dB (A)	Pa	C	kg
A2D250-AA02-02	M2D068DF	230/400	50	1685	2650	110	0,38/0,22	-	72	-	-25..70	2,2

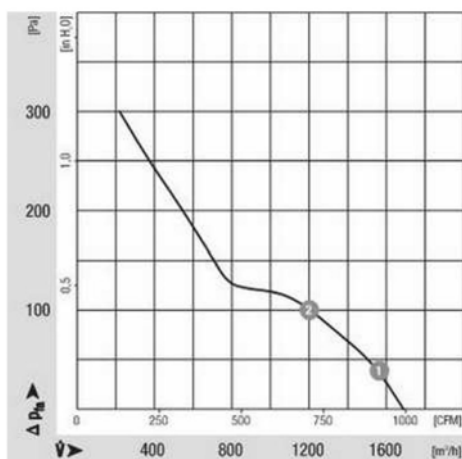
Subject to modification

Pricing

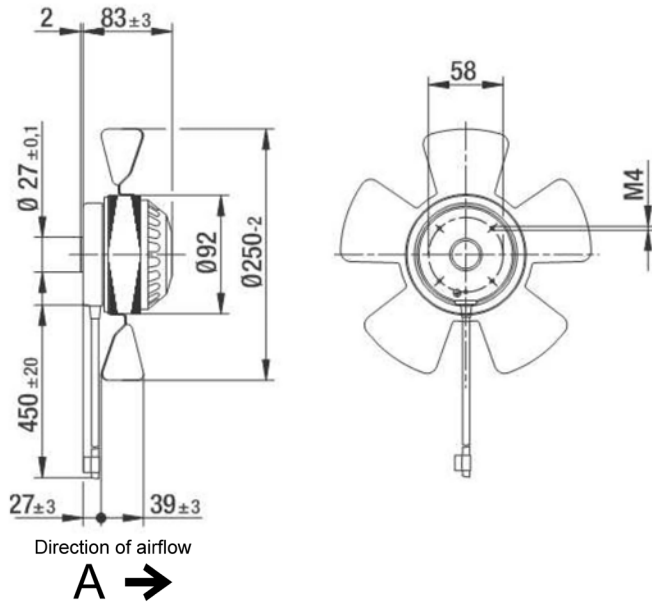
Product Code	Quantities		
	1	5-9	10>
A2D250-AA02-02	123,00	106,90	96,20

All prices are in euro, excluding VAT (BTW) Orders are shipped according to incoterms : DAP
A handling fee of € 35,00 is added to every order with a total value of less than € 500,00 (net, excl. VAT)

Pressure over air flow at 50Hz

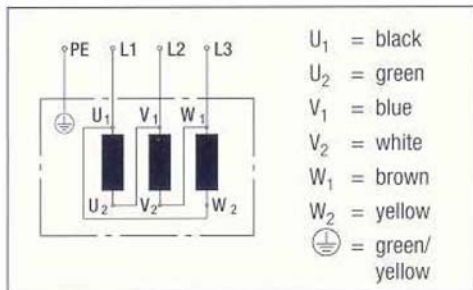


Drawing

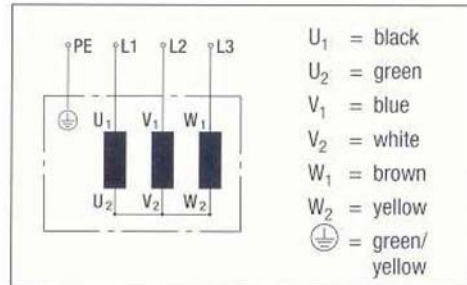


Connection illustration

Delta connection (3 phase 230VAC power system) without TOP



Star connection (3 phase 400VAC power system) without TOP





Material : Rotor coated Black
Blades coated black steelplate

Direction of rotation : Left CCW seen on rotor

Number of blades: 5

Protection: IP44

Isolation: B

Condensate discharges : Rotor side

Mounting position: Free, Rotor on top on request

Mode of operation: Continuous S1

Bearings : Maintenance free ball bearings

Motorprotection : Integrated temperature switches

Cable : Axial out of stator length : 450 mm

Norm : EN 60335-1

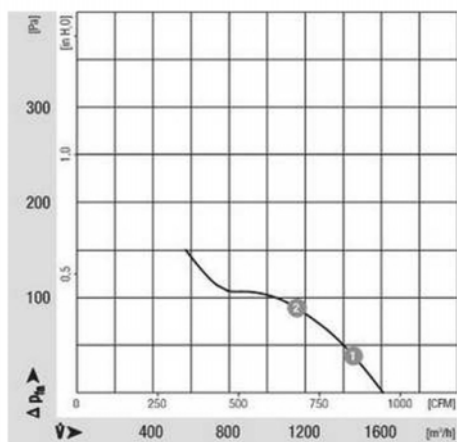
Nominal data		Voltage	Frequency	Air flow	Speed	Power consumption	Current draw	Capacitor capacity	Sound pressure level	Min. back pressure	Perm. amb. temp.	Weight
Type	Motor	VAC	Hz	m3/h	rpm	W	A	uF/V	dB (A)	Pa	C	kg
A2E250-AE65-01	M2E068DF	230	50	1610	2550	115	0,51	4/400	72	-	-25..55	2,2

Subject to modification

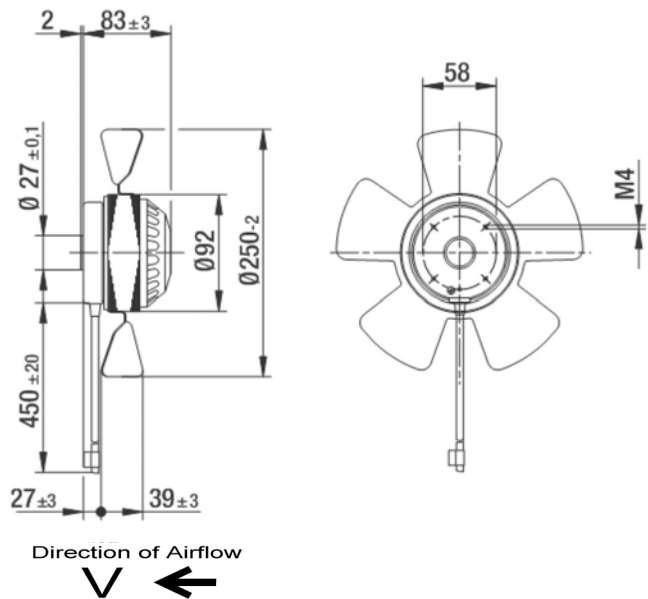
Product Code	Quantities			Accessories		
	1	5-9	10>	Capacitor	1-9	10-49
A2E250-AE65-01	109,20	95,00	85,50	280F0036		

All prices are in euro, excluding VAT (BTW) Orders are shipped according to incoterms : DAP
A handling fee of € 35,00 is added to every order with a total value of less than € 500,00 (net, excl. VAT)

Pressure over air flow at 50Hz

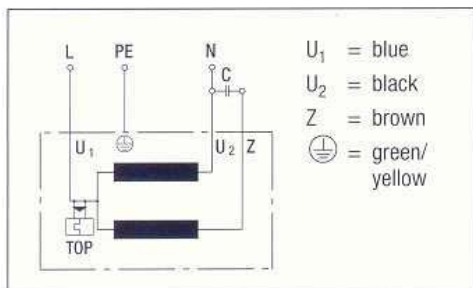


Drawing



Connection illustration

Single-phase capacitor motor with TOP wired internally





Material : Rotor coated Black
Blades coated black steelplate

Direction of rotation : Right CW seen on rotor

Number of blades: 5

Protection: IP44

Isolation: B

Condensate discharges : Rotor side

Mounting position: Free, Rotor on top on request

Mode of operation: Continuous S1

Bearings : Maintenance free ball bearings

Motorprotection : Integrated temperature switches

Cable : Axial out of stator length : 450 mm

Norm : EN 60335-1

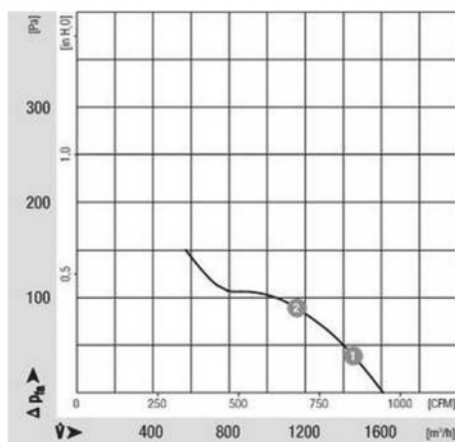
Nominal data		Voltage	Frequency	Air flow	Speed	Power consumption	Current draw	Capacitor capacity	Sound pressure level	Min. back pressure	Perm. amb. temp.	Weight
Type	Motor	VAC	Hz	m3/h	rpm	W	A	uF/V	dB (A)	Pa	C	kg
A2E250-AE65-02	M2E068DF	230	50	1610	2550	115	0,51	4/400	72	-	-25..55	2,2

Subject to modification

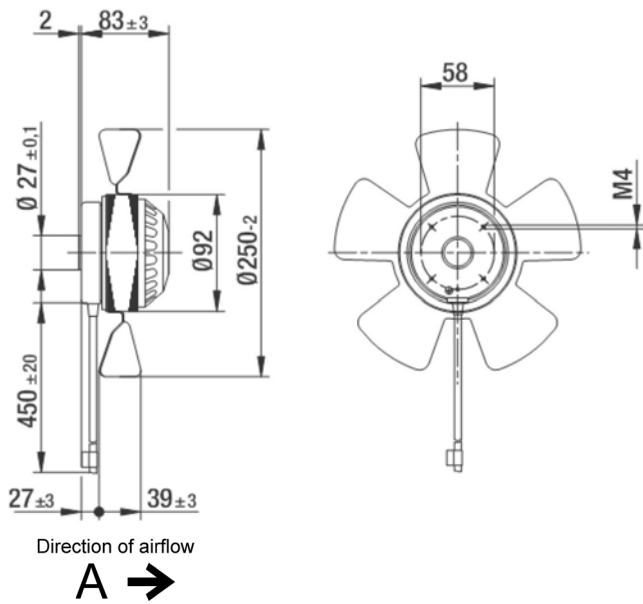
Product Code	Quantities			Accessories		
	1	5-9	10>	Capacitor	1-9	10-49
A2E250-AE65-02	109,20	95,00	85,50	280F00036		

All prices are in euro, excluding VAT (BTW) Orders are shipped according to incoterms : DAP
A handling fee of € 35,00 is added to every order with a total value of less than € 500,00 (net, excl. VAT)

Pressure over air flow at 50Hz

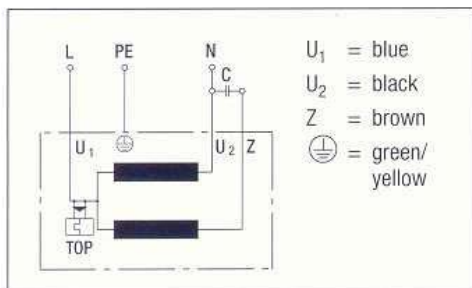


Drawing



Connection illustration

Single-phase capacitor motor with TOP wired internally





Material : Rotor coated Black
Blades coated black steelplate

Direction of rotation : Right CW seen on rotor

Number of blades: 5

Protection: IP44

Isolation: B

Condensate discharges : Rotor side

Mounting position: Free, Rotor on top on request

Mode of operation: Continuous S1

Bearings : Maintenance free ball bearings

Motorprotection : Integrated temperature switches

Cable : Axial out of stator length : 450 mm

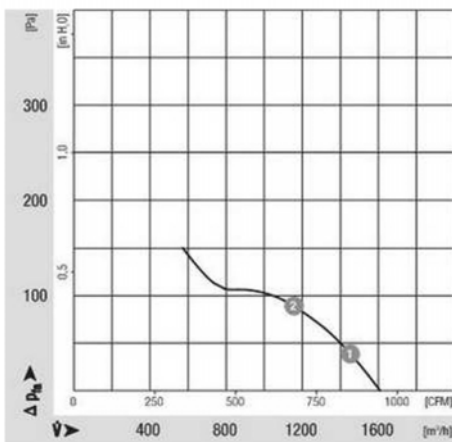
Norm : EN 60335-1

Nominal data		Voltage	Frequency	Air flow	Speed	Power consumption	Current draw	Capacitor capacity	Sound pressure level	Min. back pressure	Perm. amb. temp.	Weight
Type	Motor	VAC	Hz	m3/h	rpm	W	A	uF/V	dB (A)	Pa	C	kg
W2E250-CE65-02	M2E068DF	230	50	1610	2550	115	0,51	4/400	72	-	-25..55	2,2
Subject to modification												

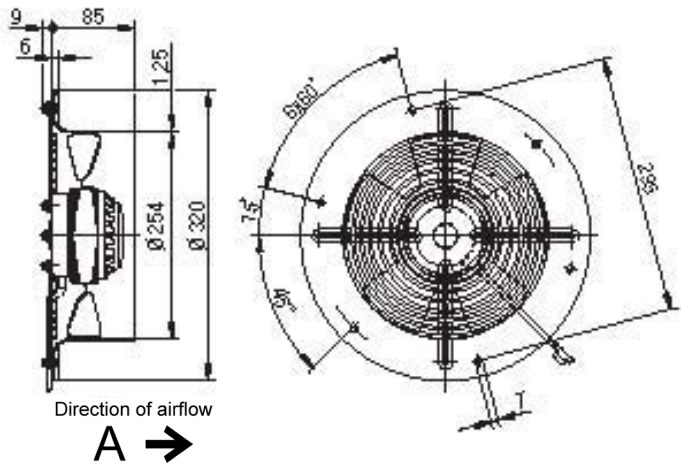
Pricing	Quantities			Accessories			
	Product Code	1	5-9	10>	Capacitor	1-9	10-49
	W2E250-CE65-02	150,80	131,10	118,00	280F00036		

All prices are in euro, excluding VAT (BTW) Orders are shipped according to incoterms : DAP
A handling fee of € 35,00 is added to every order with a total value of less than € 500,00 (net, excl. VAT)

Pressure over air flow at 50Hz

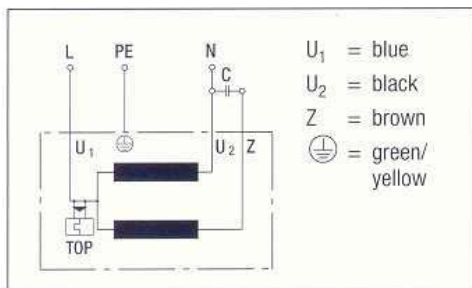


Drawing



Connection illustration

Single-phase capacitor motor with TOP wired internally





Material : Rotor coated Black
Blades coated black steelplate

Direction of rotation : Left CCW seen on rotor

Number of blades: 5

Protection: IP44

Isolation: B

Condensate discharges : Rotor side

Mounting position: Free, Rotor on top on request

Mode of operation: Continuous S1

Bearings : Maintenance free ball bearings

Motorprotection : Integrated temperature switches

Cable : Axial out of stator length : 450 mm

Norm : EN 60335-1

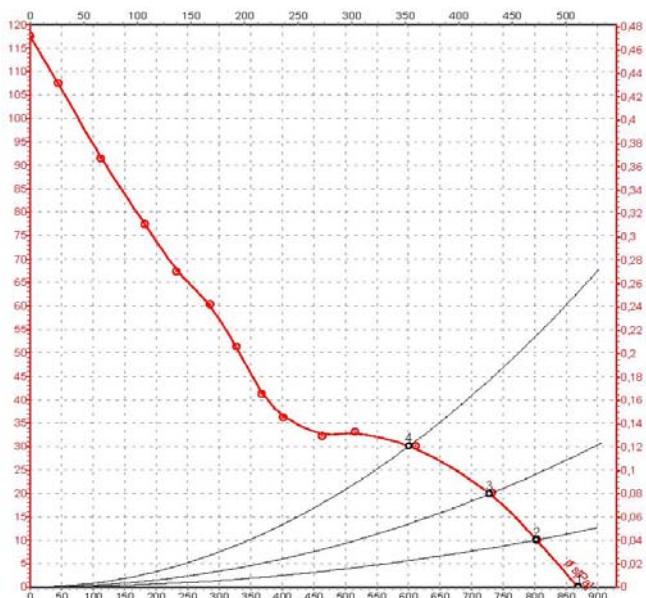
Nominal data		Voltage	Frequency	Air flow	Speed	Power consumption	Current draw	Capacitor capacity	Sound pressure level	Min. back pressure	Perm. amb. temp.	Weight
Type	Motor	VAC	Hz	m3/h	rpm	W	A	uF/V	dB (A)	Pa	C	kg
A4S250-AA02-01	M4S068CF	230	50	870	1400	72	0,53	-	58	-	-25..40	1,7
Subject to modification												

Pricing

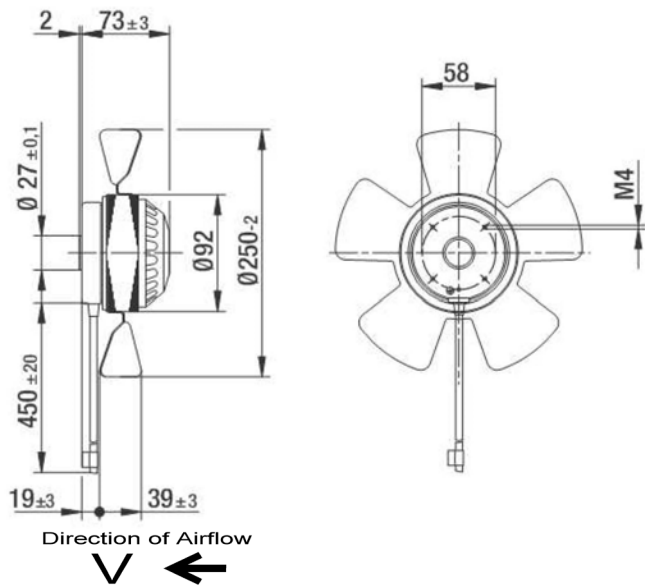
Product Code	Quantities		
	1	5-9	10 >
A4S250-AA02-01	93,20	81,00	73,00

All prices are in euro, excluding VAT (BTW) Orders are shipped according to incoterms : DAP
A handling fee of € 35,00 is added to every order with a total value of less than € 500,00 (net, excl. VAT)

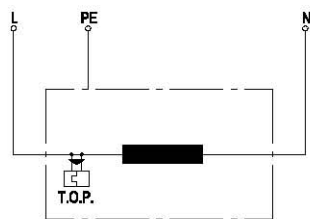
Pressure over air flow at 50Hz



Drawing



Connection illustration



L	= blue
PE	= green / yellow
N	= brown
TOP	= Thermal overload protector



Material : Rotor coated Black
Blades coated black steelplate

Direction of rotation Right CW seen on rotor

Number of blades: 5

Protection: IP44

Isolation: B

Condensate discharges Rotor side

Mounting position: Free, Rotor on top on request

Mode of operation: Continuous S1

Bearings Maintenance free ball bearings

Motorprotection Integrated temperature switches

Cable Axial out of stator length : 450 mm

Norm EN 60335-1

Nominal data		Voltage	Frequency	Air flow	Speed	Power consumption	Current draw	Capacitor capacity	Sound pressure level	Min. back pressure	Perm. amb. temp.	Weight
Type	Motor	VAC	Hz	m3/h	rpm	W	A	uF/V	dB (A)	Pa	C	kg
A4S250-AA02-02	M4S068CF	230	50	870	1400	72	0,53	-	58	-	-25..40	1,7

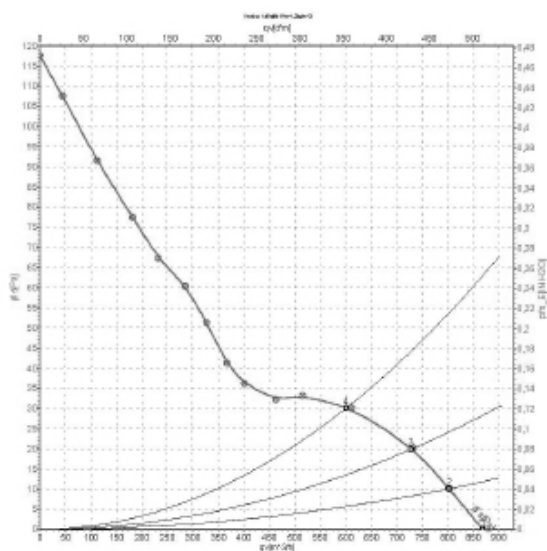
Subject to modification

Pricing

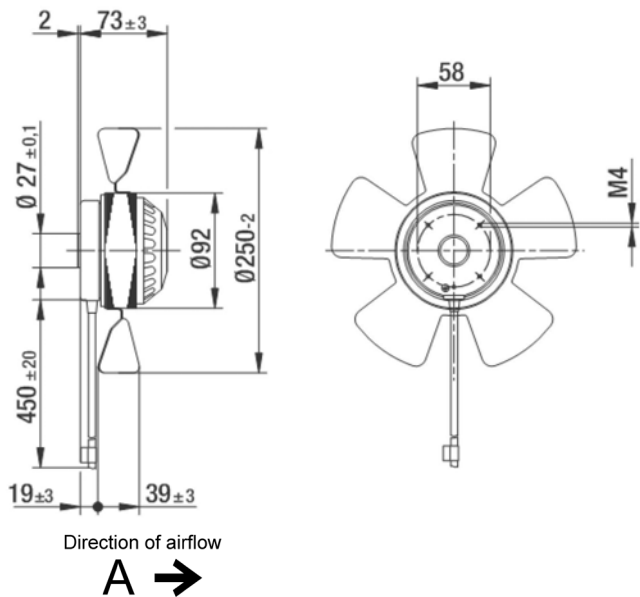
Product Code	Quantities		
	1	5-9	10>
A4S250-AA02-02	93,20	81,00	73,00

All prices are in euro, excluding VAT (BTW) Orders are shipped according to incoterms : DAP
A handling fee of € 35,00 is added to every order with a total value of less than € 500,00 (net, excl. VAT)

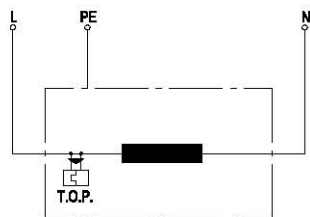
Pressure over air flow at 50Hz



Drawing



Connection illustration



L	= blue
PE	= green / yellow
N	= brown
TOP	= Thermal overload protector



Material : Rotor coated Black
Blades coated black steelplate

Direction of rotation Left CCW seen on rotor

Number of blades: 5

Protection: IP44

Isolation: B

Condensate discharges Rotor side

Mounting position: Free, Rotor on top on request

Mode of operation: Continuous S1

Bearings Maintenance free ball bearings

Motorprotection Integrated temperature switches

Cable Axial out of stator length : 450 mm

Norm EN 60335-1

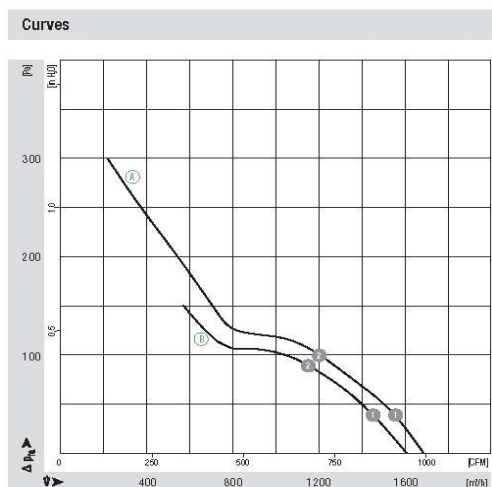
Nominal data		Voltage	Frequency	Air flow	Speed	Power consumption	Current draw	Capacitor capacity	Sound pressure level	Min. back pressure	Perm. amb. temp.	Weight
Type	Motor	VAC	Hz	m3/h	rpm	W	A	uF/V	dB (A)	Pa	C	kg
W4S250-CA02-01	M4S068CF	230	50	870	1400	72	0,53	-	58	-	-25..40	1,7
Subject to modification												

Pricing

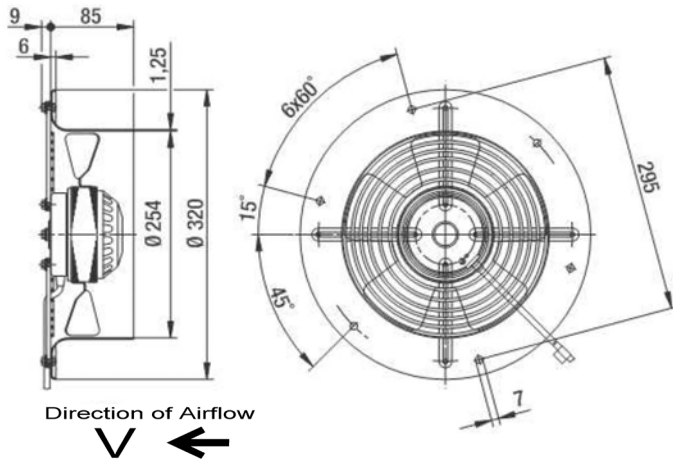
Product Code	Quantities		
	1	5-9	10>
W4S250-CA02-01	135,80	118,10	106,30

All prices are in euro, excluding VAT (BTW) Orders are shipped according to incoterms : DAP
A handling fee of € 35,00 is added to every order with a total value of less than € 500,00 (net, excl. VAT)

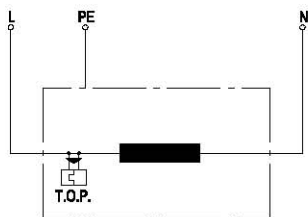
Pressure over air flow at 50Hz



Drawing



Connection illustration



L	= blue
PE	= green / yellow
N	= brown
TOP	= Thermal overload protector



Material : Rotor coated Black
Blades coated black steelplate

Direction of rotation Right CW seen on rotor

Number of blades: 5

Protection: IP44

Isolation: B

Condensate discharges Rotor side

Mounting position: Free, Rotor on top on request

Mode of operation: Continuous S1

Bearings Maintenance free ball bearings

Motorprotection Integrated temperature switches

Cable Axial out of stator length : 450 mm

Norm EN 60335-1

Nominal data		Voltage	Frequency	Air flow	Speed	Power consumption	Current draw	Capacitor capacity	Sound pressure level	Min. back pressure	Perm. amb. temp.	Weight
Type	Motor	VAC	Hz	m3/h	rpm	W	A	uF/V	dB (A)	Pa	C	kg
W4S250-CA02-02	M4S068CF	230	50	870	1400	72	0,53	-	58	-	-25..40	1,7

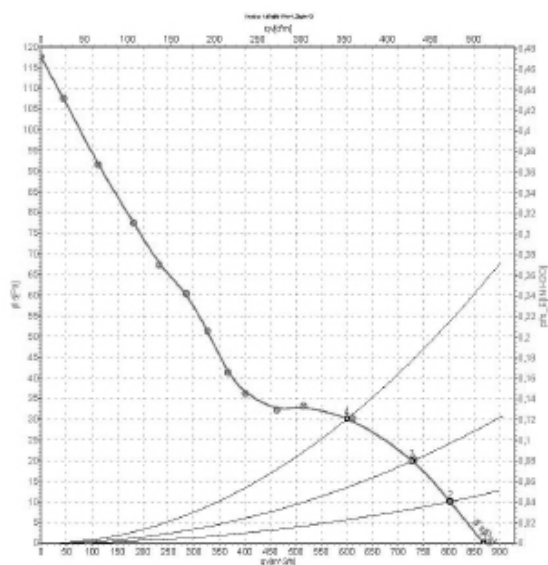
Subject to modification

Pricing

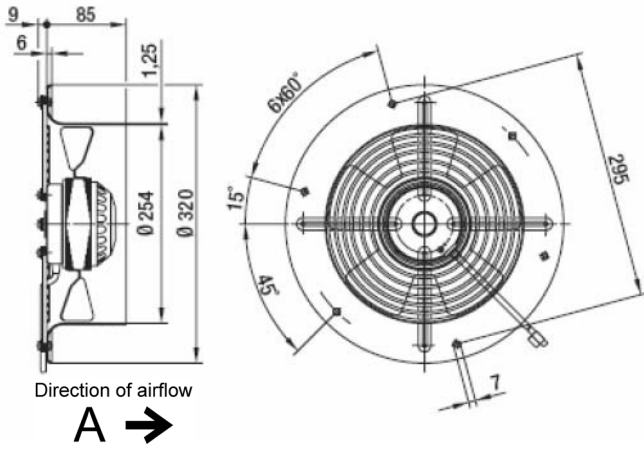
Product Code	Quantities		
	1	5-9	10>
W4S250-CA02-02	135,80	118,10	106,30

All prices are in euro, excluding VAT (BTW) Orders are shipped according to incoterms : DAP
A handling fee of € 35,00 is added to every order with a total value of less than € 500,00 (net, excl. VAT)

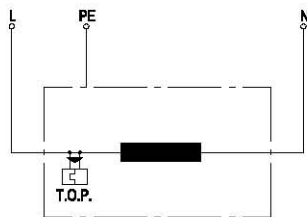
Pressure over air flow at 50Hz



Drawing



Connection illustration



L	= blue
PE	= green / yellow
N	= brown
TOP	= Thermal overload protector



Material : Rotor coated Black
Blades coated black steelplate

Direction of rotation Left CCW seen on rotor

Number of blades: 5

Protection: IP44

Isolation: B

Condensate discharges Rotor side

Mounting position: Free, Rotor on top on request

Mode of operation: Continuous S1

Bearings Maintenance free ball bearings

Motorprotection Integrated temperature switches

Cable Axial out of stator length : 450 mm

Norm EN 60335-1

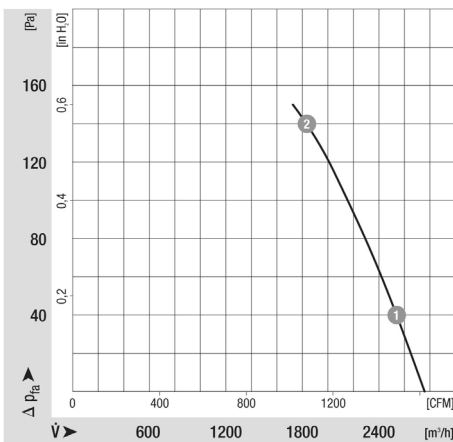
Nominal data		Voltage	Frequency	Air flow	Speed	Power consumption	Current draw	Capacitor capacity	Sound pressure level	Min. back pressure	Perm. amb. temp.	Weight
Type	Motor	VAC	Hz	m3/h	rpm	W	A	uF/V	dB (A)	Pa	C	kg
A2D300-AD02-01	M2D068EC	230/400	50	2760	2650	180	0,54/0,31	-	76	-	-25..60	2,7
Subject to modification												

Pricing

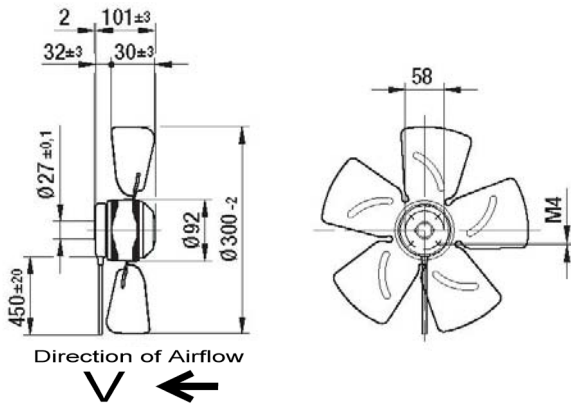
Product Code	Quantities		
	1	5-9	10>
A2D300-AD02-01	159,10	138,30	124,50

All prices are in euro, excluding VAT (BTW) Orders are shipped according to incoterms : DAP
A handling fee of € 35,00 is added to every order with a total value of less than € 500,00 (net, excl. VAT)

Pressure over air flow at 50Hz

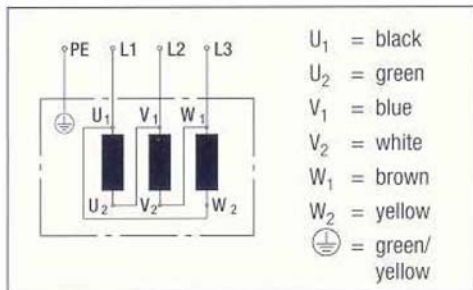


Drawing

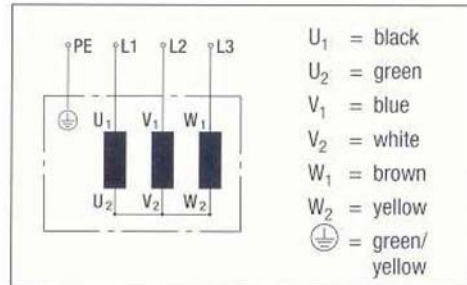


Connection illustration

Delta connection (3 phase 230VAC power system) without TOP



Star connection (3 phase 400VAC power system) without TOP





Material : Rotor coated Black
Blades coated black steelplate

Direction of rotation Right CW seen on rotor

Number of blades: 5

Protection: IP44

Isolation: B

Condensate discharges Rotor side

Mounting position: Free, Rotor on top on request

Mode of operation: Continuous S1

Bearings Maintenance free ball bearings

Motorprotection Integrated temperature switches

Cable Axial out of stator length : 450 mm

Norm EN 60335-1

Nominal data		Voltage	Frequency	Air flow	Speed	Power consumption	Current draw	Capacitor capacity	Sound pressure level	Min. back pressure	Perm. amb. temp.	Weight
Type	Motor	VAC	Hz	m3/h	rpm	W	A	uF/V	dB (A)	Pa	C	kg
A2D300-AD02-02	M2D068EC	230/400	50	2760	2650	180	0,54/0,31	-	76	-	-25..60	2,7

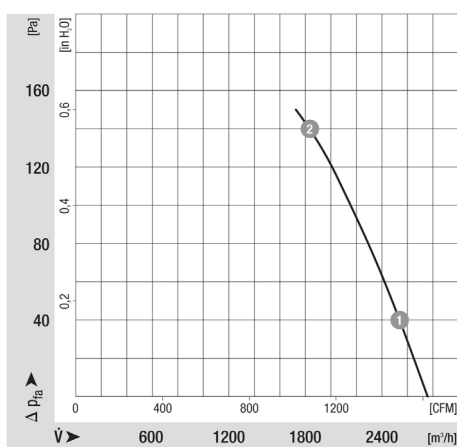
Subject to modification

Pricing

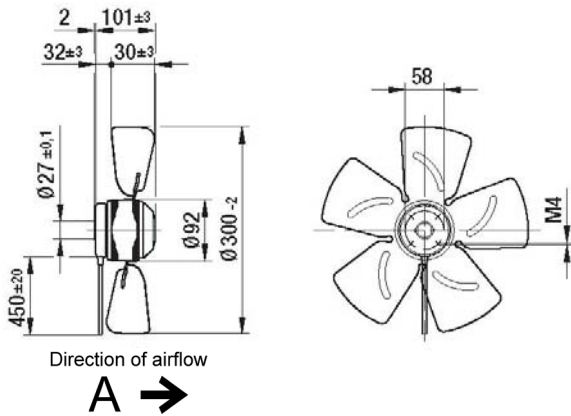
Product Code	Quantities		
	1	5-9	10>
A2D300-AD02-02	159,10	138,30	124,50

All prices are in euro, excluding VAT (BTW) Orders are shipped according to incoterms : DAP
A handling fee of € 35,00 is added to every order with a total value of less than € 500,00 (net, excl. VAT)

Pressure over air flow at 50Hz

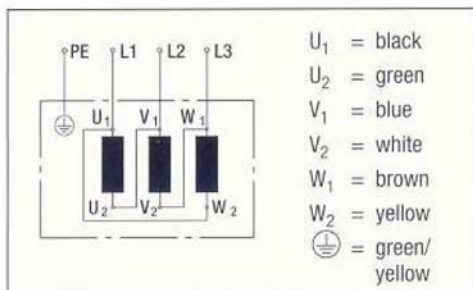


Drawing

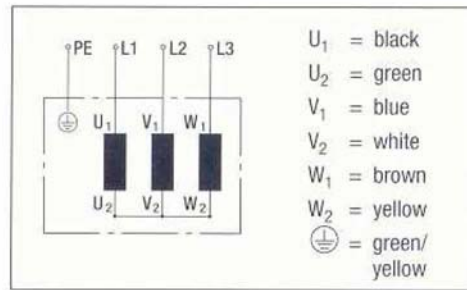


Connection illustration

Delta connection (3 phase 230VAC power system) without TOP



Star connection (3 phase 400VAC power system) without TOP





Material : Rotor coated Black
Blades coated black steelplate

Direction of rotation Left CCW seen on rotor

Number of blades: 5

Protection: IP44

Isolation: B

Condensate discharges Rotor side

Mounting position: Free, Rotor on top on request

Mode of operation: Continuous S1

Bearings Maintenance free ball bearings

Motorprotection Integrated temperature switches

Cable Axial out of stator length : 450 mm

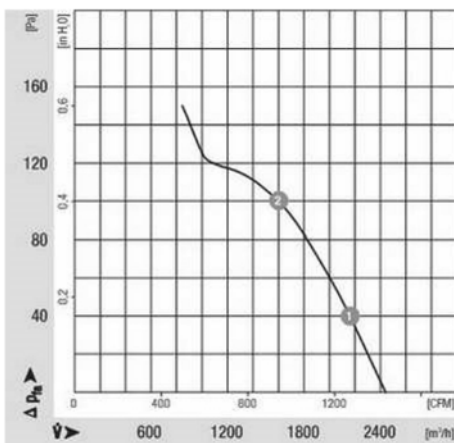
Norm EN 60335-1

Nominal data		Voltage	Frequency	Air flow	Speed	Power consumption	Current draw	Capacitor capacity	Sound pressure level	Min. back pressure	Perm. amb. temp.	Weight
Type	Motor	VAC	Hz	m3/h	rpm	W	A	uF/V	dB (A)	Pa	C	kg
A2E300-AC47-01	M2E068EC	230	50	2440	2650	140	0,62	5/400	75	-	-25..55	2,5
Subject to modification												

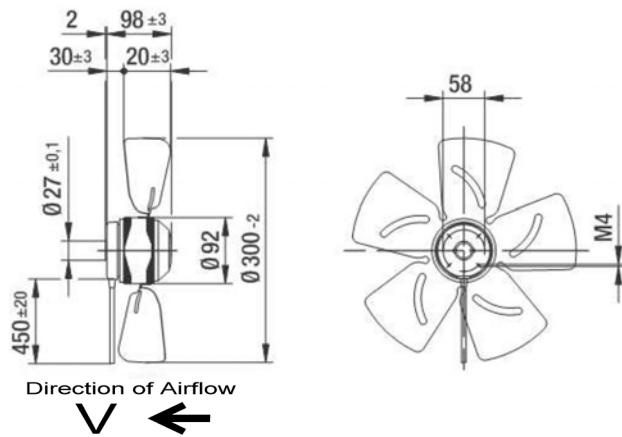
Pricing	Quantities			Accessories			
	Product Code	1	5-9	10>	Capacitor	1-9	10-49
	A2E300-AC47-01	145,10	126,30	113,60	280F00037		

All prices are in euro, excluding VAT (BTW) Orders are shipped according to incoterms : DAP
A handling fee of € 35,00 is added to every order with a total value of less than € 500,00 (net, excl. VAT)

Pressure over air flow at 50Hz

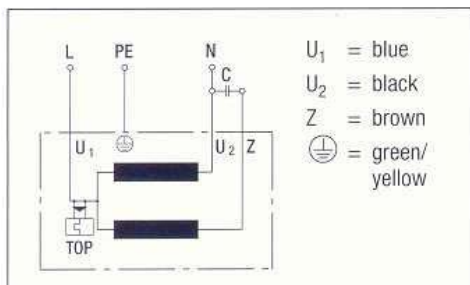


Drawing



Connection illustration

Single-phase capacitor motor with
TOP wired internally





Material : Rotor coated Black
Blades coated black steelplate

Direction of rotation Right CW seen on rotor

Number of blades: 5

Protection: IP44

Isolation: B

Condensate discharges Rotor side

Mounting position: Free, Rotor on top on request

Mode of operation: Continuous S1

Bearings Maintenance free ball bearings

Motorprotection Integrated temperature switches

Cable Axial out of stator length: 450 mm

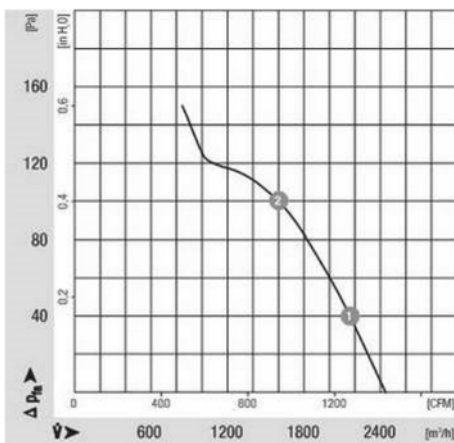
Norm EN 60335-1

Nominal data		Voltage	Frequency	Air flow	Speed	Power consumption	Current draw	Capacitor capacity	Sound pressure level	Min. back pressure	Perm. amb. temp.	Weight
Type	Motor	VAC	Hz	m3/h	rpm	W	A	uF/V	dB (A)	Pa	C	kg
A2E300-AC47-02	M2E068EC	230	50	2440	2650	140	0,62	5/400	75	-	-25..55	2,5
Subject to modification												

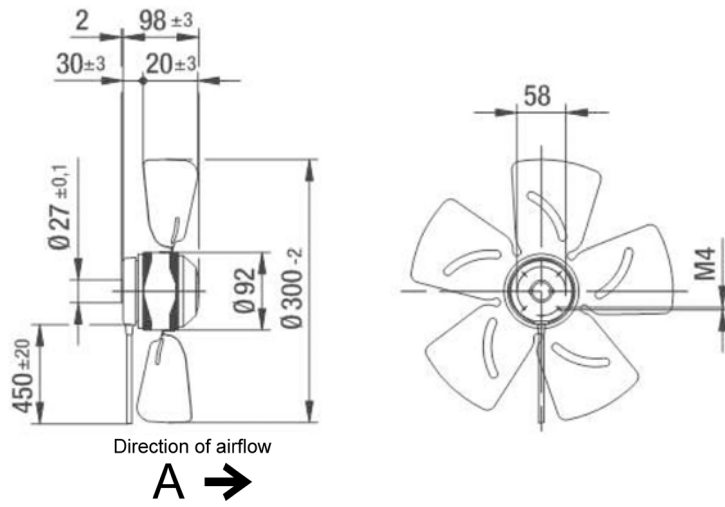
Pricing	Quantities			Accessories			
	Product Code	1	5-9	10>	Capacitor	1-9	10-49
	A2E300-AC47-02	145,10	126,30	113,60	280F00037		

All prices are in euro, excluding VAT (BTW) Orders are shipped according to incoterms : DAP
A handling fee of € 35,00 is added to every order with a total value of less than € 500,00 (net, excl. VAT)

Pressure over air flow at 50Hz

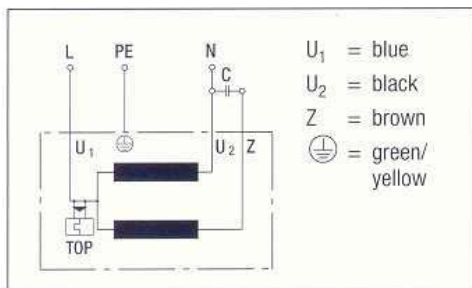


Drawing



Connection illustration

Single-phase capacitor motor with
TOP wired internally





Material : Rotor coated Black
Blades coated black steelplate

Direction of rotation Right CW seen on rotor

Number of blades: 5

Protection: IP44

Isolation: B

Condensate discharges Rotor side

Mounting position: Free, Rotor on top on request

Mode of operation: Continuous S1

Bearings Maintenance free ball bearings

Motorprotection Integrated temperature switches

Cable Axial out of stator length : 450 mm

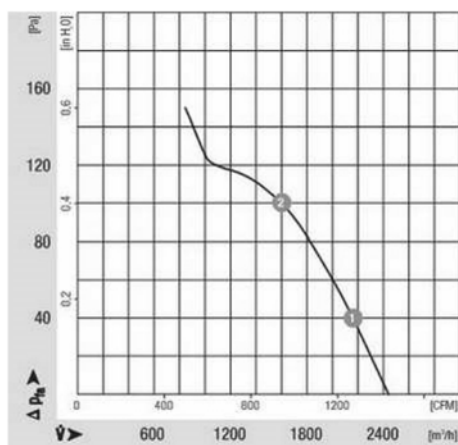
Norm EN 60335-1

Nominal data		Voltage	Frequency	Air flow	Speed	Power consumption	Current draw	Capacitor capacity	Sound pressure level	Min. back pressure	Perm. amb. temp.	Weight
Type	Motor	VAC	Hz	m3/h	rpm	W	A	uF/V	dB (A)	Pa	C	kg
W2E300-CC47-02	M2E068EC	230	50	2440	2650	140	0,62	5/400	75	-	-25..55	2,5
Subject to modification												

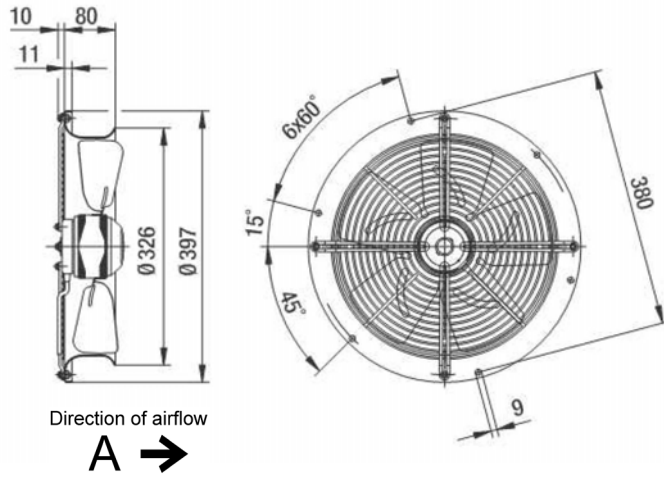
Product Code	Quantities			Accessories		
	1	5-9	10>	Capacitor	1-9	10-49
W2E300-CC47-02	187,70	163,20	146,90	280F00037		

All prices are in euro, excluding VAT (BTW) Orders are shipped according to incoterms : DAP
A handling fee of € 35,00 is added to every order with a total value of less than € 500,00 (net, excl. VAT)

Pressure over air flow at 50Hz

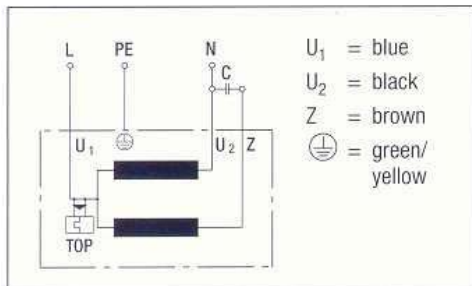


Drawing



Connection illustration

Single-phase capacitor motor with
 TOP wired internally





Material : Rotor coated Black
Blades PP

Direction of rotation : Left CCW seen on rotor

Number of blades: 5

Protection: IP44

Isolation: B

Condensate discharges : None

Mounting position: Free

Mode of operation: Continuous S1

Bearings : Maintenance free ball bearings

Motorprotection : Integrated temperature switches

Cable : Axial out of stator length : 450 mm

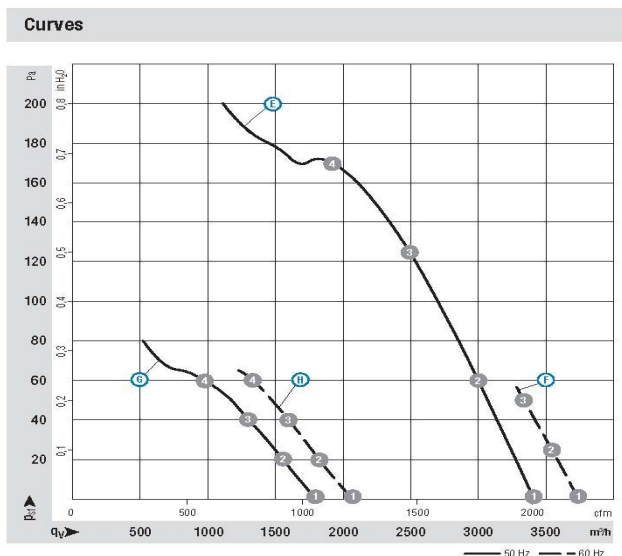
Norm : EN 60335-1

Nominal data		Voltage	Frequency	Air flow	Speed	Power consumption	Current draw	Capacitor capacity	Sound pressure level	Min. back pressure	Perm. amb. temp.	Weight
Type	Motor	VAC	Hz	m3/h	rpm	W	A	uF/V	dB (A)	Pa	C	kg
S4E300-AS72-30	M4E068CF	230	50	1800	1350	72	0,32	2/400	60	-	-40..80	2,85
Subject to modification												

Pricing	Quantities			Accessories			
	Product Code	1	5-9	10>	Capacitor	1-9	10-49
	S4E300-AS72-30	89,50	77,80	70,00	280F00033		

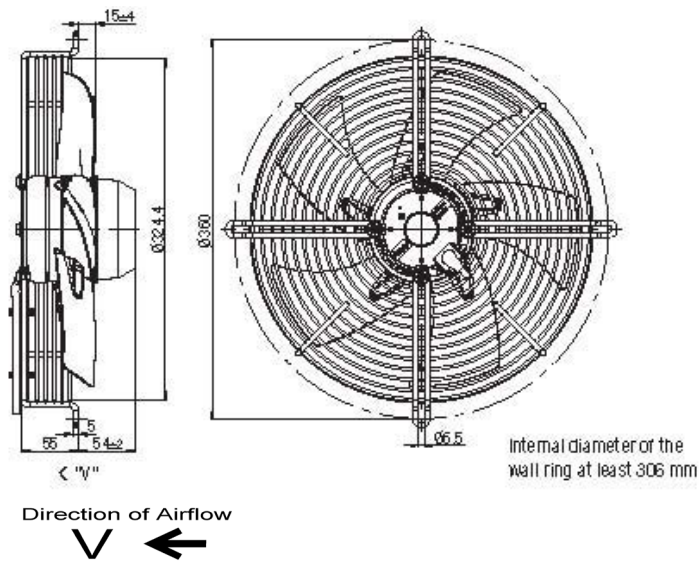
All prices are in euro, excluding VAT (BTW) Orders are shipped according to incoterms : DAP
A handling fee of € 35,00 is added to every order with a total value of less than € 500,00 (net, excl. VAT)

Pressure over air flow at 50Hz



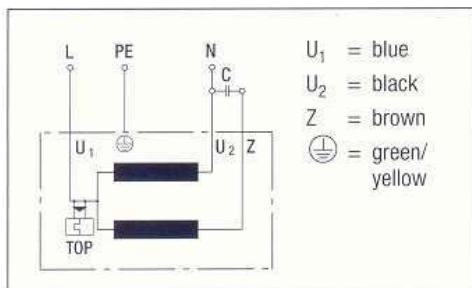
Use curve G

Drawing



Connection illustration

Single-phase capacitor motor with TOP wired internally





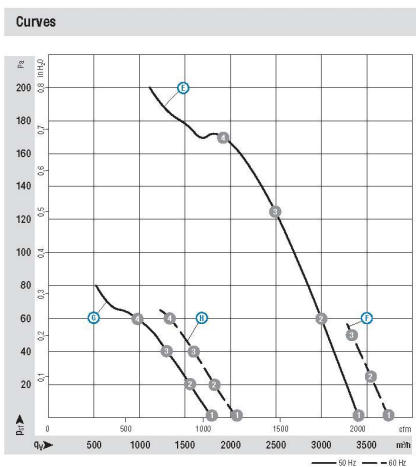
Material :	Rotor coated Black Blades PP
Direction of rotation	Right CW seen on rotor
Number of blades:	5
Protection:	IP44
Isolation:	B
Condensate discharges	None
Mounting position:	Free
Mode of operation:	Continuous S1
Bearings	Maintenance free ball bearings
Motorprotection	Integrated temperature switches
Cable	Axial out of stator length : 450 mm
Norm	EN 60335-1

Nominal data		Voltage	Frequency	Air flow	Speed	Power consumption	Current draw	Capacitor capacity	Sound pressure level	Min. back pressure	Perm. amb. temp.	Weight
Type	Motor	VAC	Hz	m3/h	rpm	W	A	uF/V	dB (A)	Pa	C	kg
S4E300-AS72-31	M4E068CF	230	50	1690	1350	95	0,44	2/400	65	-	-25..45	2,3
Subject to modification												

Product Code	Quantities			Accessories		
	1	5-9	10>	Capacitor	1-9	10-49
S4E300-AS72-31	132,50	115,20	103,70	280F00033		

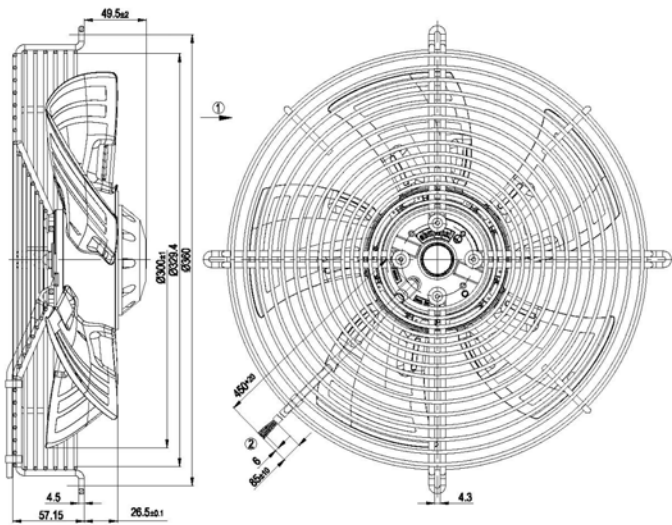
All prices are in euro, excluding VAT (BTW) Orders are shipped according to incoterms : DAP
 A handling fee of € 35,00 is added to every order with a total value of less than € 500,00 (net, excl. VAT)

Pressure over air flow at 50Hz

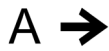


Use curve C

Drawing

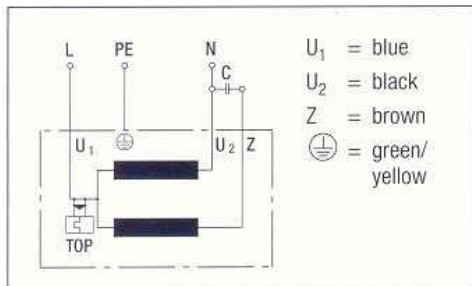


Direction of airflow



Connection illustration

Single-phase capacitor motor with
TOP wired internally





Material :	Rotor coated Black Blades PP
Direction of rotation	Left CCW seen on rotor
Number of blades:	5
Protection:	IP44
Isolation:	F
Condensate discharges	Rotor side
Mounting position:	Free, Rotor on top on request
Mode of operation:	Continuous S1
Bearings	Maintenance free ball bearings
Motorprotection	Integrated temperature switches
Cable	Axial out of stator length : 450 mm
Norm	EN 60335-1

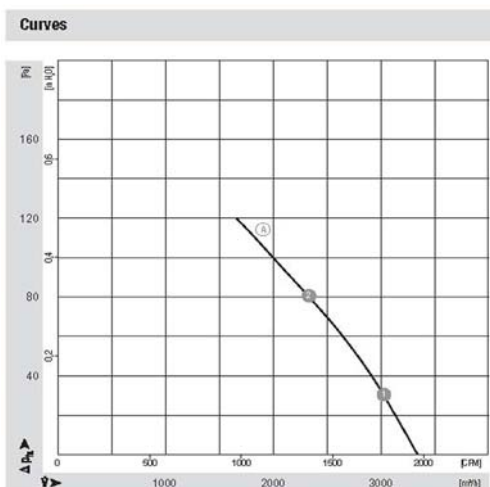
Nominal data	Motor	Voltage	Frequency	Air flow	Speed	Power consumption	Current draw	Capacitor capacity	Sound pressure level	Min. back pressure	Perm. amb. temp.	Weight
Type		VAC	Hz	m3/h	rpm	W	A	uF/V	dB (A)	Pa	C	kg
S4E350-AN02-30	M4E074DF	230	50	3305	1400	165	0,73	4/400	69	-	-25..60	5
Subject to modification												

Pricing	Quantities			Accessories		
	1	5-9	10>	Capacitor	1-9	10-49
S4E350-AN02-30	115,70	100,60	90,50	280F00036		

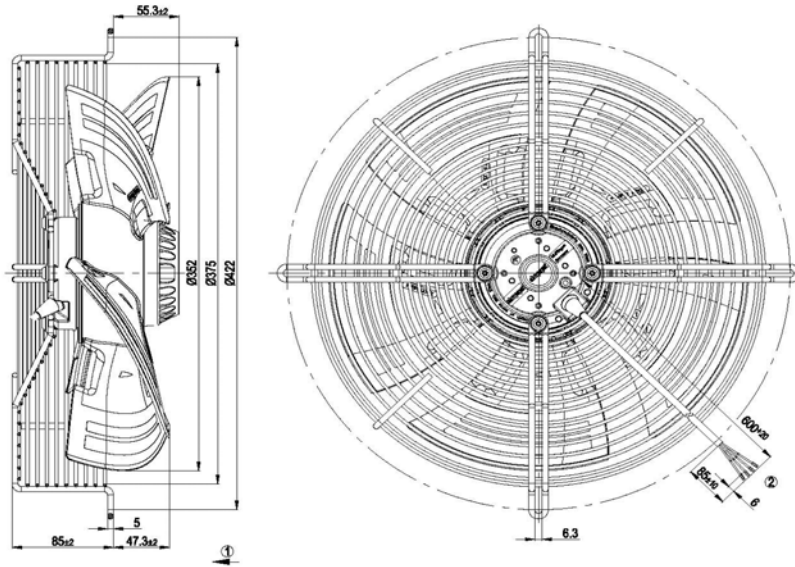
All prices are in euro, excluding VAT (BTW) Orders are shipped according to incoterms : DAP
 A handling fee of € 35,00 is added to every order with a total value of less than € 500,00 (net, excl. VAT)

[Download PDF datasheet](#)

Pressure over air flow at 50Hz



Drawing

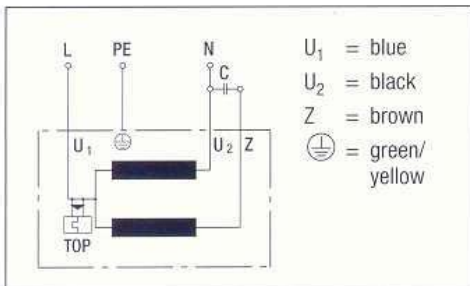


- 1 Förderrichtung "V"
- 2 Anschlussleitung Silikon 4G 0,5mm², 4x Aderendkrallen angeschlagen

Direction of Airflow

Connection illustration

Single-phase capacitor motor with
 TOP wired internally





Material : Rotor coated Black
Blades coated black steelplate

Direction of rotation Right CW seen on rotor

Number of blades: 5

Protection: IP44

Isolation: B

Condensate discharges Rotor side

Mounting position: Free, Rotor on top on request

Mode of operation: Continuous S1

Bearings Maintenance free ball bearings

Motorprotection Integrated temperature switches

Cable Axial out of stator length: 450 mm

Norm EN 60335-1

Nominal data		Voltage	Frequency	Air flow	Speed	Power consumption	Current draw	Capacitor capacity	Sound pressure level	Min. back pressure	Perm. amb. temp.	Weight
Type	Motor	VAC	Hz	m3/h	rpm	W	A	uF/V	dB (A)	Pa	C	kg
S4E350-AN02-31	M4E074DF	230	50	3305	1400	165	0,73	4/400	69	-	-25..60	5

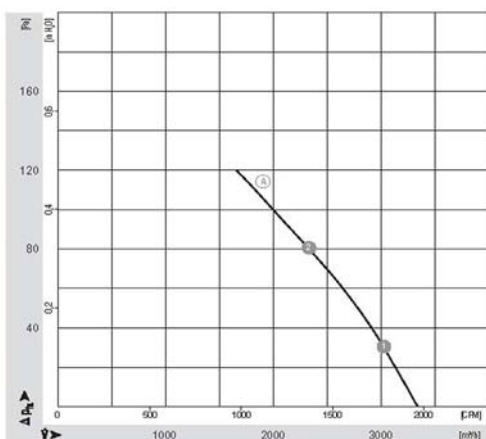
Subject to modification

Pricing	Quantities			Accessories	
	1	5-9	10>	Capacitor	1-9 10-49
S4E350-AN02-31	115,70	100,60	90,50	280F00036	

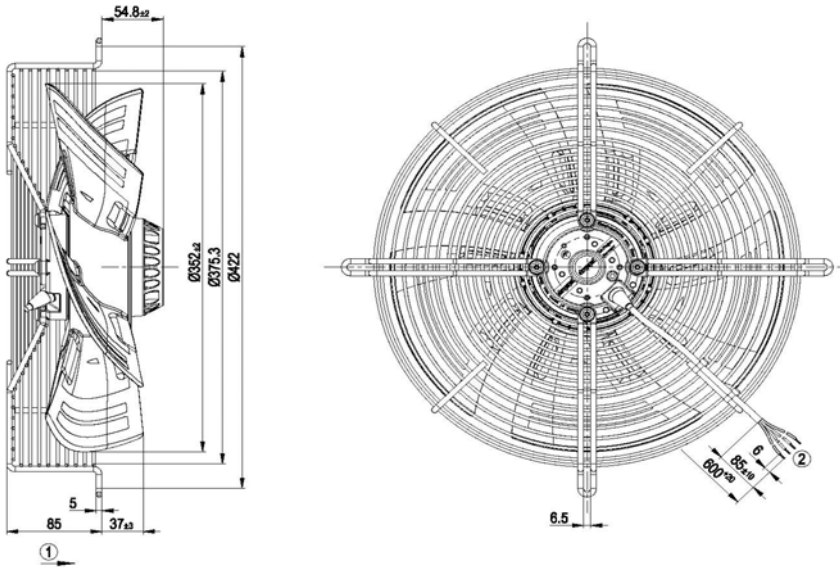
All prices are in euro, excluding VAT (BTW) Orders are shipped according to incoterms : DAP
A handling fee of € 35,00 is added to every order with a total value of less than € 500,00 (net, excl. VAT)

Pressure over air flow at 50Hz

Curves



Drawing



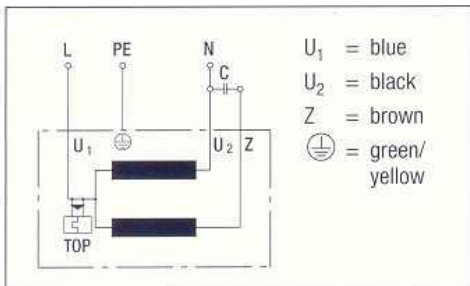
- 1 Direction of air flow "A"
- 2 Connection line silicone 4G 0.5 mm², 4 x brass lead tips crimped

Direction of airflow



Connection illustration

Single-phase capacitor motor with TOP wired internally





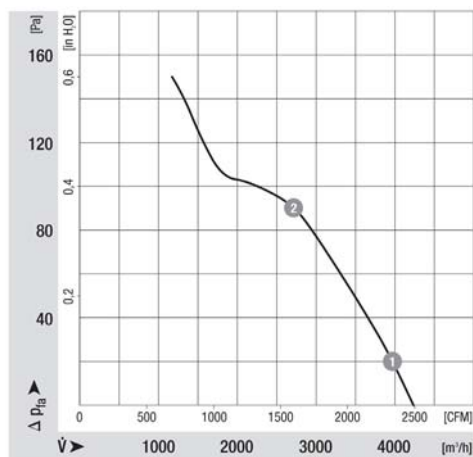
Material :	Rotor coated Black Blades coated black steelplate
Direction of rotation	Right CW seen on rotor
Number of blades:	5
Protection:	IP44
Isolation:	B
Condensate discharges	Rotor side
Mounting position:	Free, Rotor on top on request
Mode of operation:	Continuous S1
Bearings	Maintenance free ball bearings
Motorprotection	Integrated temperature switches
Cable	Axial out of stator length : 450 mm
Norm	EN 60335-1

Nominal data		Voltage	Frequency	Air flow	Speed	Power consumption	Current draw	Capacitor capacity	Sound pressure level	Min. back pressure	Perm. amb. temp.	Weight
Type	Motor	VAC	Hz	m3/h	rpm	W	A	uF/V	dB (A)	Pa	C	kg
S4E400-AP02-03	M4E074EI	230	50	4235	1430	160	0,73	6/400	69	-	-25..40	4,2
Subject to modification												

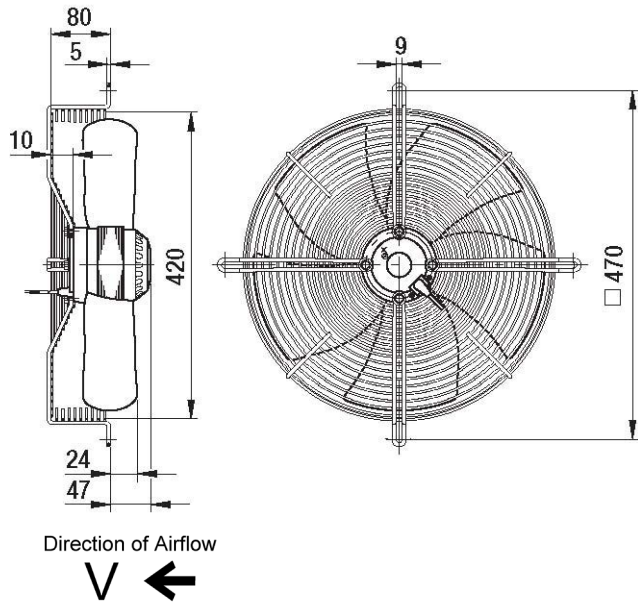
Pricing	Quantities			Accessories			
	Product Code	1	5-9	10>	Capacitor	1-9	10-49
	S4E400-AP02-03	150,90	131,20	118,10	280F00038		

All prices are in euro, excluding VAT (BTW) Orders are shipped according to incoterms : DAP
 A handling fee of € 35,00 is added to every order with a total value of less than € 500,00 (net, excl. VAT)

Pressure over air flow at 50Hz

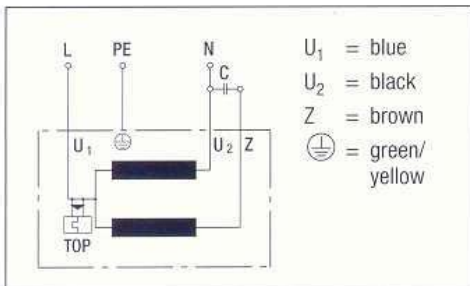


Drawing



Connection illustration

Single-phase capacitor motor with
 TOP wired internally





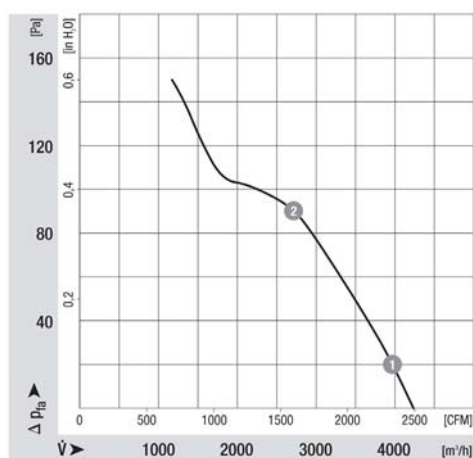
Material :	Rotor coated Black Blades coated black steelplate
Direction of rotation	Right CW seen on rotor
Number of blades:	5
Protection:	IP44
Isolation:	B
Condensate discharges	Rotor side
Mounting position:	Free, Rotor on top on request
Mode of operation:	Continuous S1
Bearings	Maintenance free ball bearings
Motorprotection	Integrated temperature switches
Cable	Axial out of stator length : 450 mm
Norm	EN 60335-1

Nominal data		Voltage	Frequency	Air flow	Speed	Power consumption	Current draw	Capacitor capacity	Sound pressure level	Min. back pressure	Perm. amb. temp.	Weight
Type	Motor	VAC	Hz	m3/h	rpm	W	A	uF/V	dB (A)	Pa	C	kg
S4E400-AP02-04	M4E074EI	230	50	4235	1430	160	0,73	6/400	69	-	-25..40	4,2
Subject to modification												

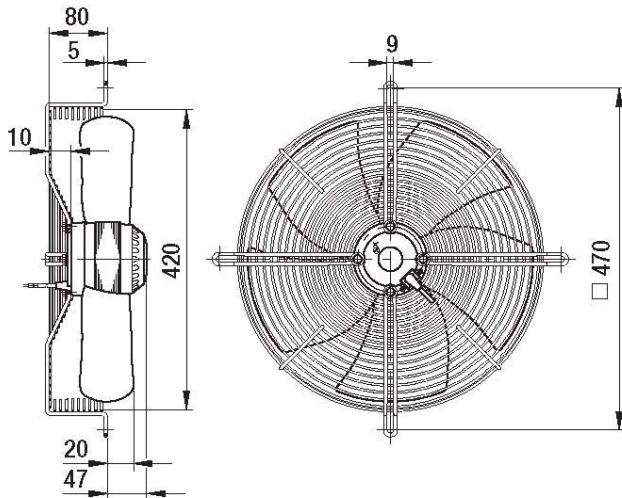
Pricing	Quantities			Accessories			
	Product Code	1	5-9	10>	Capacitor	1-9	10-49
	S4E400-AP02-04	175,30	152,50	137,20	280F00038		

All prices are in euro, excluding VAT (BTW) Orders are shipped according to incoterms : DAP
 A handling fee of € 35,00 is added to every order with a total value of less than € 500,00 (net, excl. VAT)

Pressure over air flow at 50Hz



Drawing

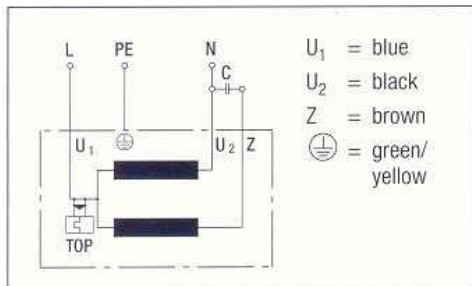


Direction of airflow



Connection illustration

Single-phase capacitor motor with
TOP wired internally





Material : Rotor coated Black
Blades coated black steelplate

Direction of rotation Right CW seen on rotor

Number of blades: 5

Protection: IP44

Isolation: B

Condensate discharges Rotor side

Mounting position: Free, Rotor on top on request

Mode of operation: Continuous S1

Bearings Maintenance free ball bearings

Motorprotection Integrated temperature switches

Cable Axial out of stator length : 450 mm

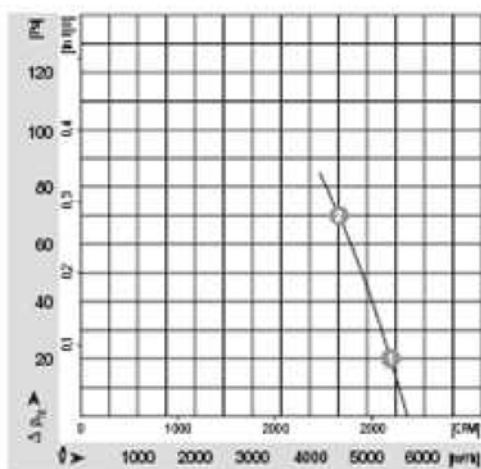
Norm EN 60335-1

Nominal data		Voltage	Frequency	Air flow	Speed	Power consumption	Current draw	Capacitor capacity	Sound pressure level	Min. back pressure	Perm. amb. temp.	Weight
Type	Motor	VAC	Hz	m3/h	rpm	W	A	uF/V	dB (A)	Pa	C	kg
S4E450-AP01-01	M4E074GA	230	50	5800	1400	245	1,10	8/400	73	-	-25..60	7,1
Subject to modification												

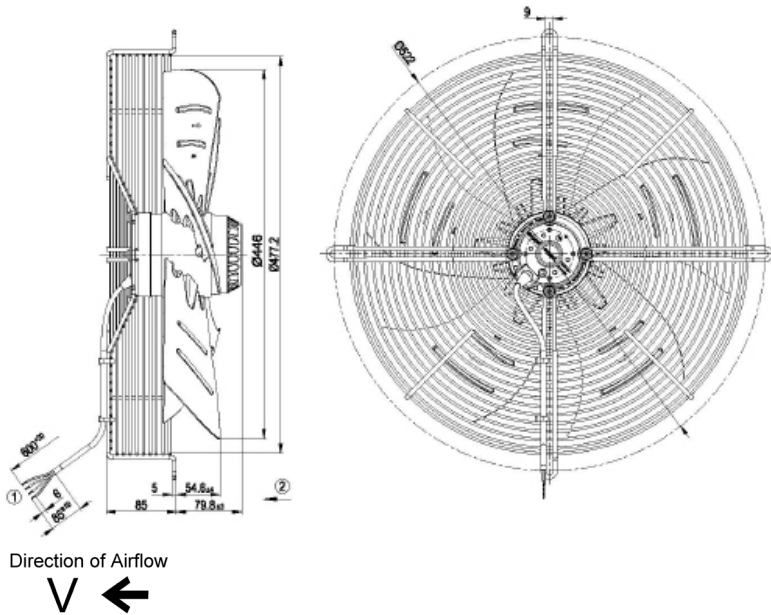
Pricing	Quantities			Accessories			
	Product Code	1	5-9	10>	Capacitor	1-9	10-49
	S4E450-AP01-01	206,90	179,90	161,90	280F00039		

All prices are in euro, excluding VAT (BTW) Orders are shipped according to incoterms : DAP
A handling fee of € 35,00 is added to every order with a total value of less than € 500,00 (net, excl. VAT)

Pressure over air flow at 50Hz

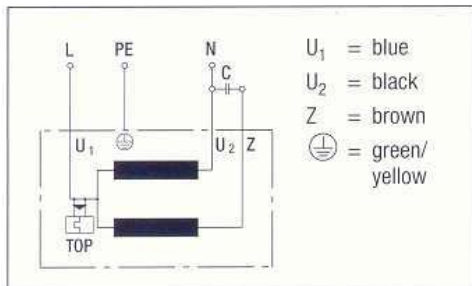


Drawing



Connection illustration

Single-phase capacitor motor with TOP wired internally



Single inlet forward curved



Material :	Rotor cast aluminium Wheel sendzimir steelplate
Direction of rotation	Right CW seen on rotor
Protection:	IP44
Isolation:	B
Condensate discharges	None
Mounting position:	Free
Mode of operation:	Continuous S1
Bearings	Maintenance free ball bearings
Motorprotection	Integrated temperature switches
Cable	Variabel 300 mm
Norm	EN 60335-1

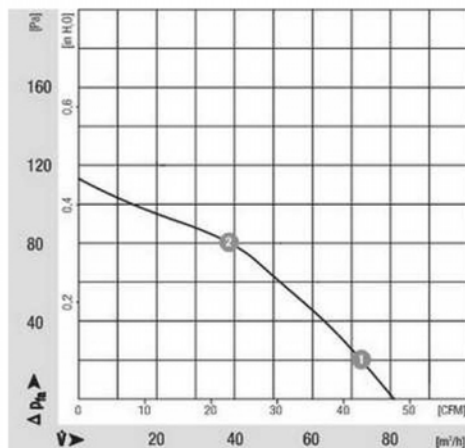
Nominal data		Voltage	Frequency	Air flow	Speed	Power consumption	Current draw	Capacitor capacity	Sound pressure level	Min. back pressure	Perm. amb. temp.	Weight
Type	Motor	VAC	Hz	m3/h	rpm	W	A	uF/V	dB (A)	Pa	C	kg
G2E085-AA01-01	M2E042CA	230	50	80	2350	32	0,15	1/400	53	0	-25..60	0,9
Subject to modification												

Product Code	Quantities			Accessories		
	1	5-9	10>	Capacitor	1-9	10-49
G2E085-AA01-01	114,60	99,60	89,60	280F00031		

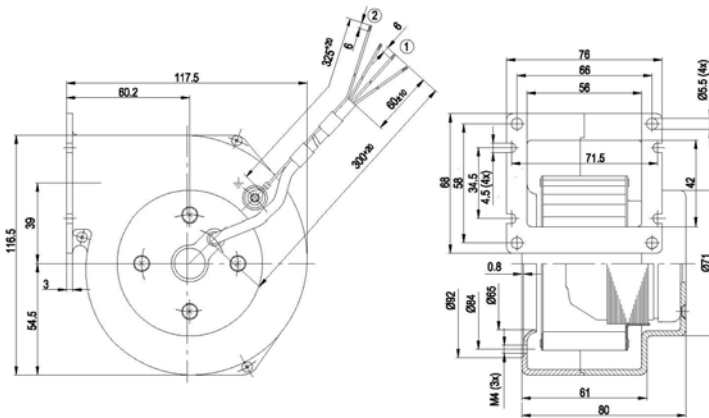
All prices are in euro, excluding VAT (BTW) Orders are shipped according to incoterms : DAP
 A handling fee of € 35,00 is added to every order with a total value of less than € 500,00 (net, excl. VAT)

[Download PDF datasheet](#)

Pressure over air flow at 50Hz

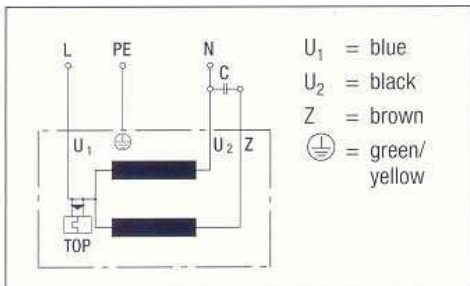


Specific drawing



Connection illustration

Single-phase capacitor motor with TOP wired internally



Single inlet forward curved



Material :	Rotor cast aluminium Wheel sendzimir steelplate
Direction of rotation	Right CW seen on rotor
Protection:	IP44
Isolation:	B
Condensate discharges	None
Mounting position:	Free,
Mode of operation:	Continuous S1
Bearings	Maintenance free ball bearings
Motorprotection	Integrated temperature switches
Cable	variabel 450 mm
Norm	EN 60335-1

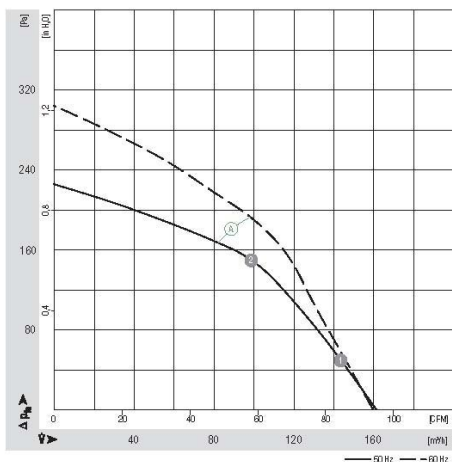
Nominal data		Voltage	Frequency	Air flow	Speed	Power consumption	Current draw	Capacitor capacity	Sound pressure level	Min. back pressure	Perm. amb. temp.	Weight
Type	Motor	VAC	Hz	m3/h	rpm	W	A	uF/V	dB (A)	Pa	C	kg
G2E108-AA01-01	M2E042CA	230	50	160	1850	30	0,14	1,5/400	56	0	-25..60	1,3

Subject to modification

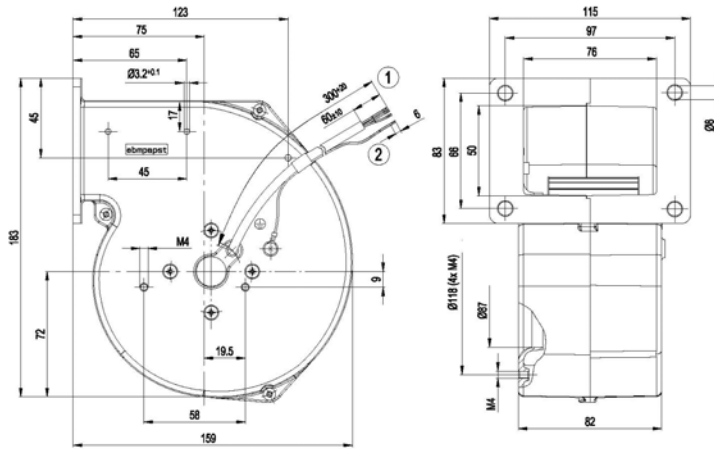
Pricing	Quantities			Accessories	
	1	5-9	10>	Capacitor	1-9 10-49
G2E108-AA01-01	119,10	103,60	93,30	280F00032	

All prices are in euro, excluding VAT (BTW) Orders are shipped according to incoterms : DAP
 A handling fee of € 35,00 is added to every order with a total value of less than € 500,00 (net, excl. VAT)

Pressure over air flow at 50Hz

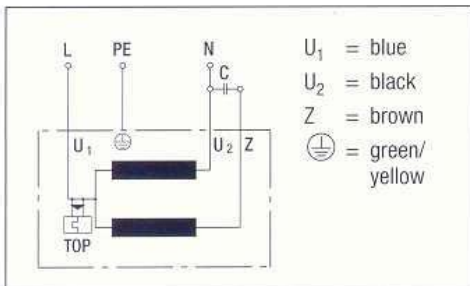


Specific drawing



Connection illustration

Single-phase capacitor motor with TOP wired internally



Single inlet forward curved



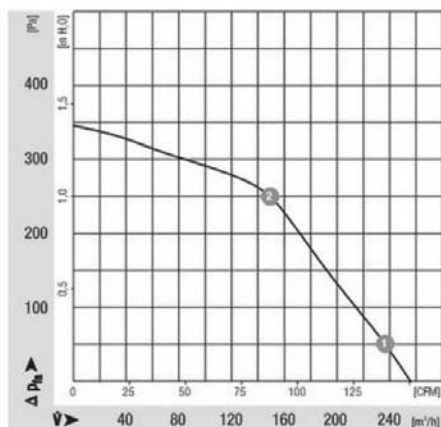
Material :	Rotor cast aluminium Wheel sendzimir steelplate
Direction of rotation	Right CW seen on rotor
Protection:	IP44
Isolation:	B
Condensate discharges	None
Mounting position:	Free
Mode of operation:	Continuous S1
Bearings	Maintenance free ball bearings
Motorprotection	Integrated temperature switches
Cable	Variabel 450 mm
Norm	EN 60335-1

Nominal data		Voltage	Frequency	Air flow	Speed	Power consumption	Current draw	Capacitor capacity	Sound pressure level	Min. back pressure	Perm. amb. temp.	Weight
Type	Motor	VAC	Hz	m3/h	rpm	W	A	uF/V	dB (A)	Pa	C	kg
G2E120-AR77-01	M2E068BF	230	50	255	2350	80	0,35	2/400	61	0	-25..55	1,8
Subject to modification												

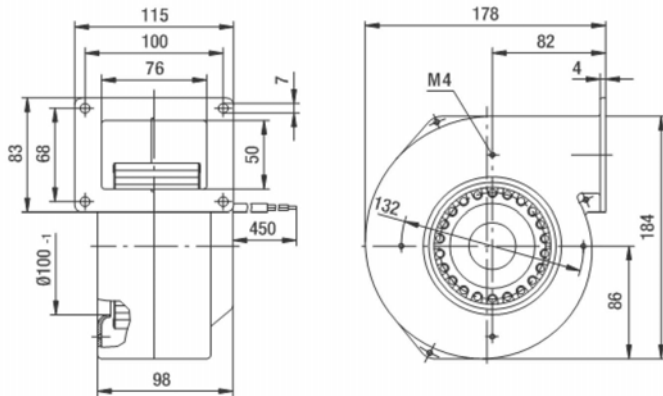
Pricing	Quantities			Accessoires		
	1	5-9	10>	Capacitor	1-9	10-49
G2E120-AR77-01	123,00	108,00	95,40	280F00033		

All prices are in euro, excluding VAT (BTW) Orders are shipped according to incoterms : DAP
 A handling fee of € 35,00 is added to every order with a total value of less than € 500,00 (net, excl. VAT)

Pressure over air flow at 50Hz

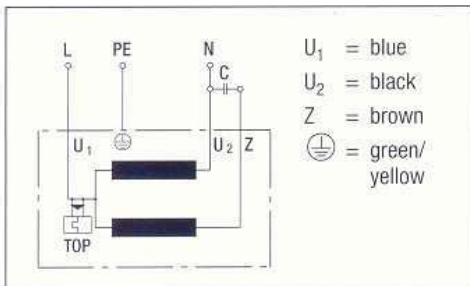


Specific drawing



Connection illustration

Single-phase capacitor motor with
TOP wired internally



Single inlet forward curved



Material :	Rotor cast aluminium Wheel sendzimir steelplate
Direction of rotation	right CW seen on rotor
Protection:	IP44
Isolation:	B
Condensate discharges	None
Mounting position:	Free,
Mode of operation:	Continuous S1
Bearings	Maintenance free ball bearings
Motorprotection	Integrated temperature switches
Cable	Variabel 450 mm
Norm	EN 60335-1

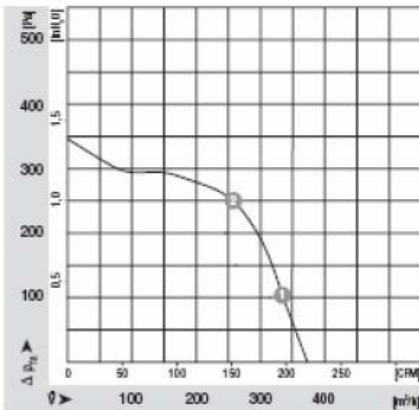
Nominal data		Voltage	Frequency	Air flow	Speed	Power consumption	Current draw	Capacitor capacity	Sound pressure level	Min. back pressure	Perm. amb. temp.	Weight
Type	Motor	VAC	Hz	m3/h	rpm	W	A	uF/V	dB (A)	Pa	C	kg
G2E140-AE77-01	M2E068BF	230	50	370	1400	105	0,46	2/400	59	0	-25..40	2,6
Subject to modification												

Pricing	Quantities			Accessories		
	1	5-9	10>	Capacitor	1-9	10-49
G2E140-AE77-01	151,60	131,90	118,60	280F00033		

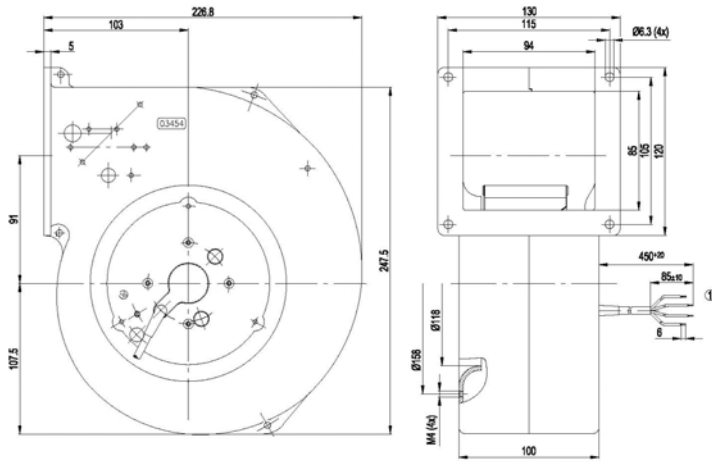
All prices are in euro, excluding VAT (BTW) Orders are shipped according to incoterms : DAP
 A handling fee of € 35,00 is added to every order with a total value of less than € 500,00 (net, excl. VAT)

[Download PDF datasheet](#)

Pressure over air flow at 50Hz

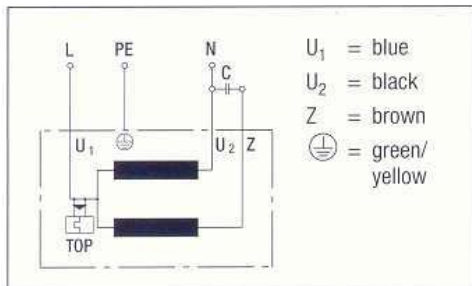


Specific drawing



Connection illustration

Single-phase capacitor motor with TOP wired internally



Single inlet forward curved



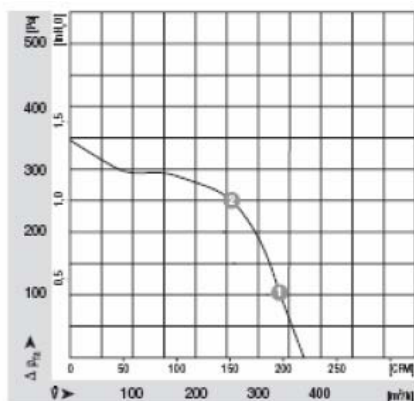
Material :	Rotor cast aluminium Wheel sendzimir steelplate
Direction of rotation	Right CW seen on rotor
Protection:	IP44
Isolation:	B
Condensate discharges	None
Mounting position:	Free
Mode of operation:	Continuous S1
Bearings	Maintenance free ball bearings
Motorprotection	Integrated temperature switches
Cable	Variabel 450 mm
Norm	EN 60335-1

Nominal data		Voltage	Frequency	Air flow	Speed	Power consumption	Current draw	Capacitor capacity	Sound pressure level	Min. back pressure	Perm. amb. temp.	Weight
Type	Motor	VAC	Hz	m3/h	rpm	W	A	uF/V	dB (A)	Pa	C	kg
R2E140-AE77-05	M2E068BF	230	50	370	1400	105	0,46	2/400	59	0	-25..40	1,2
Subject to modification												

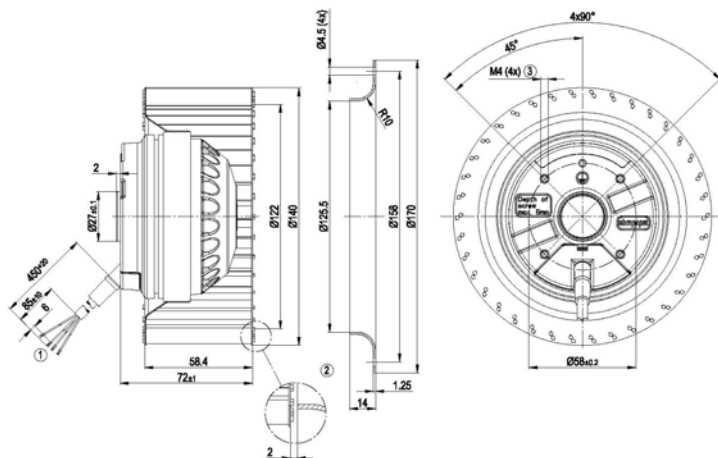
Pricing	Quantities			Accessories		
	1	5-9	10>	Capacitor	1-9	10-49
R2E140-AE77-05	78,60	68,30	61,50	280F00033		

All prices are in euro, excluding VAT (BTW) Orders are shipped according to incoterms : DAP
 A handling fee of € 35,00 is added to every order with a total value of less than € 500,00 (net, excl. VAT)

Pressure over air flow at 50Hz

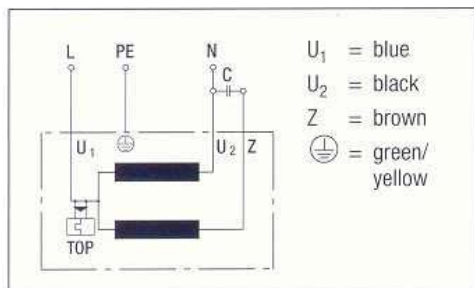


Specific drawing



Connection illustration

Single-phase capacitor motor with TOP wired internally



Single inlet forward curved



Material :	Rotor cast aluminium Wheel sendzimir steelplate
Direction of rotation	Right CW seen on rotor
Protection:	IP44
Isolation:	B
Condensate discharges	None
Mounting position:	Free
Mode of operation:	Continuous S1
Bearings	Maintenance free ball bearings
Motorprotection	Integrated temperature switches
Cable	Variabel 450 mm
Norm	EN 60335-1

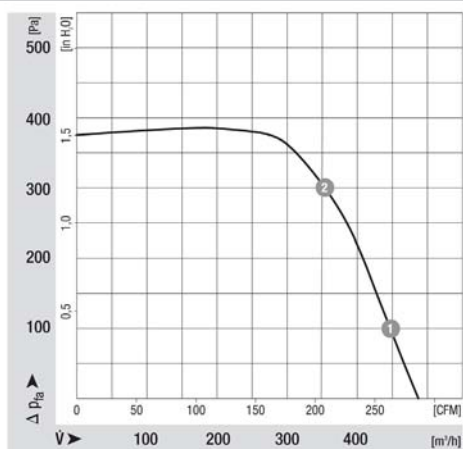
Nominal data		Voltage	Frequency	Air flow	Speed	Power consumption	Current draw	Capacitor capacity	Sound pressure level	Min. back pressure	Perm. amb. temp.	Weight
Type	Motor	VAC	Hz	m3/h	rpm	W	A	uF/V	dB (A)	Pa	C	kg
G2E140-AI28-01	M2E068DF	230	50	485	2400	160	0,70	4/400	72	0	-25..70	3,4
Subject to modification												

Pricing	Quantities			Accessories			
	Product Code	1	5-9	10>	Capacitor	1-9	10-49
G2E140-AI28-01	173,20	150,60	135,50		280F00036		

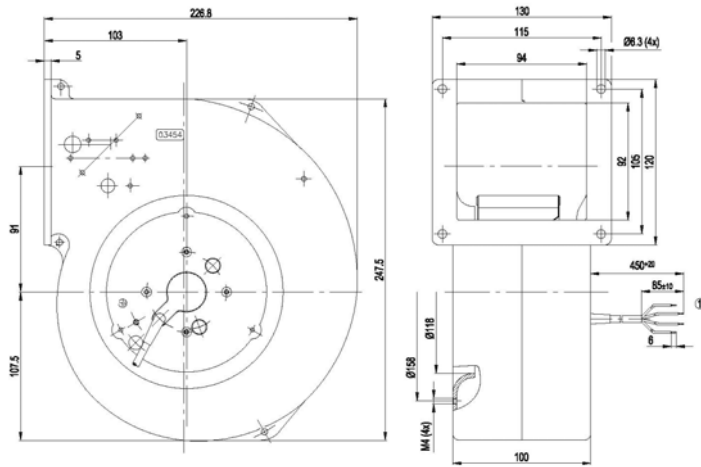
All prices are in euro, excluding VAT (BTW) Orders are shipped according to incoterms : DAP
 A handling fee of € 35,00 is added to every order with a total value of less than € 500,00 (net, excl. VAT)

[Download PDF datasheet](#)

Pressure over air flow at 50Hz

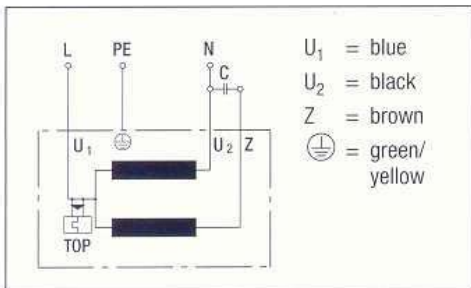


Specific drawing



Connection illustration

Single-phase capacitor motor with TOP wired internally



Single inlet forward curved



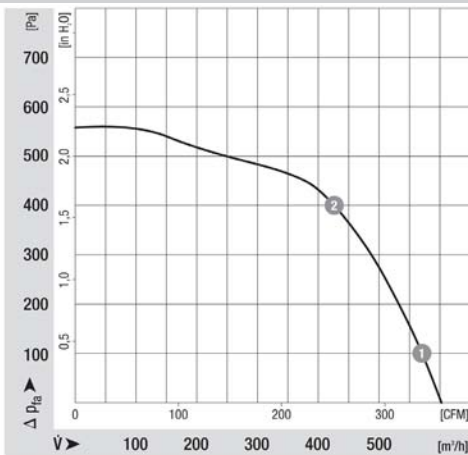
Material :	Rotor cast aluminium Wheel sendzimir steelplate
Direction of rotation	Right CW seen on rotor
Protection:	IP44
Isolation:	B
Condensate discharges	None
Mounting position:	Free
Mode of operation:	Continuous S1
Bearings	Maintenance free ball bearings
Motorprotection	Integrated temperature switches
Cable	Variabel 450 mm
Norm	EN 60335-1

Nominal data		Voltage	Frequency	Air flow	Speed	Power consumption	Current draw	Capacitor capacity	Sound pressure level	Min. back pressure	Perm. amb. temp.	Weight
Type	Motor	VAC	Hz	m3/h	rpm	W	A	uF/V	dB (A)	Pa	C	kg
G2E160-AY47-01	M2E068EC	230	50	600	2100	240	1,05	6/400	72	0	-25..50	3,9
Subject to modification												

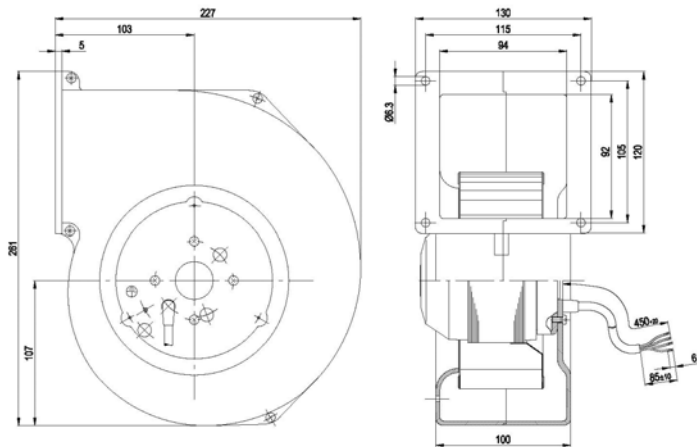
Pricing	Quantities			Accessories		
	1	5-9	10>	Capacitor	1-9	10-49
G2E160-AY47-01	196,00	172,00	152,00	280F00038		

All prices are in euro, excluding VAT (BTW) Orders are shipped according to incoterms : DAP
 A handling fee of € 35,00 is added to every order with a total value of less than € 500,00 (net, excl. VAT)

Pressure over air flow at 50Hz

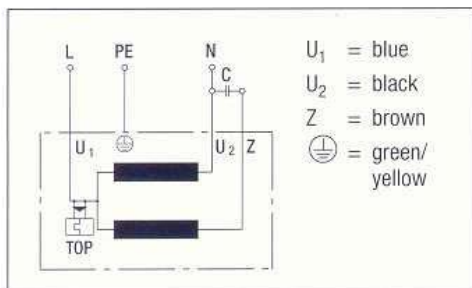


Specific drawing



Connection illustration

Single-phase capacitor motor with
TOP wired internally



Single inlet forward curved



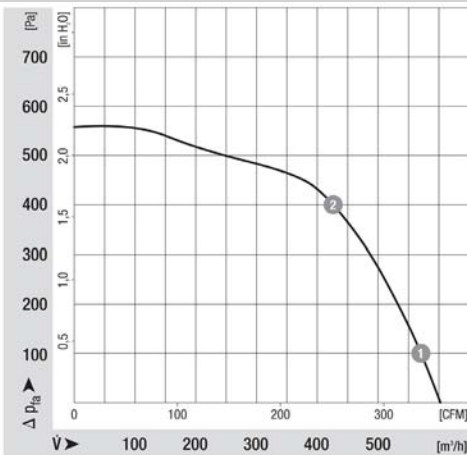
Material :	Rotor cast aluminium Wheel sendzimir steelplate
Direction of rotation	Right CW seen on rotor
Protection:	IP44
Isolation:	B
Condensate discharges	None
Mounting position:	Free
Mode of operation:	Continuous S1
Bearings	Maintenance free ball bearings
Motorprotection	Integrated temperature switches
Cable	Variabel 450 mm
Norm	EN 60335-1

Nominal data		Voltage	Frequency	Air flow	Speed	Power consumption	Current draw	Capacitor capacity	Sound pressure level	Min. back pressure	Perm. amb. temp.	Weight
Type	Motor	VAC	Hz	m3/h	rpm	W	A	uF/V	dB (A)	Pa	C	kg
R2E160-AY47-01	M2E068EC	230	50	600	2100	240	1,05	6/400	72	0	-25..50	2,6
Subject to modification												

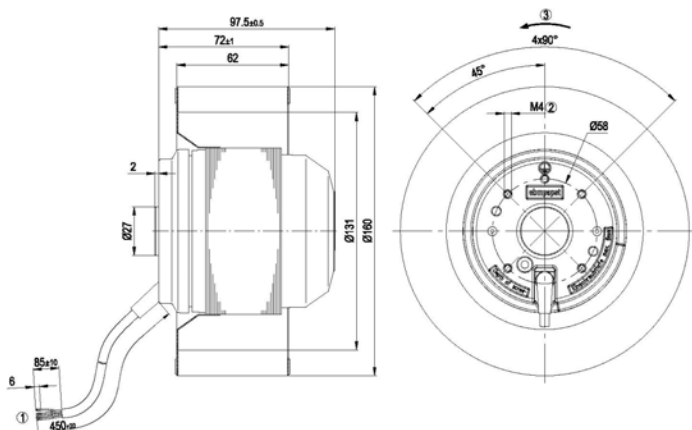
Pricing	Quantities			Accessories		
	1	5-9	10>	Capacitor	1-9	10-49
R2E160-AY47-01	139,60	121,40	109,30	280F00038		

All prices are in euro, excluding VAT (BTW) Orders are shipped according to incoterms : DAP
 A handling fee of € 35,00 is added to every order with a total value of less than € 500,00 (net, excl. VAT)

Pressure over air flow at 50Hz

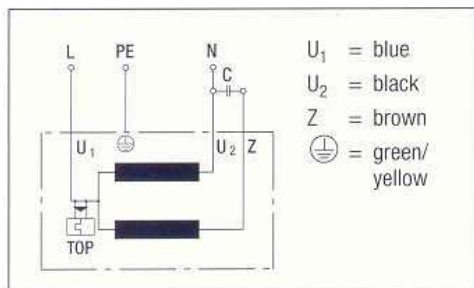


Specific drawing



Connection illustration

Single-phase capacitor motor with TOP wired internally



Single inlet forward curved



Material :	Rotor cast aluminium Wheel sendzimir steelplate
Direction of rotation	Right CW seen on rotor
Protection:	IP44
Isolation:	B
Condensate discharges	None
Mounting position:	Free,
Mode of operation:	Continuous S1
Bearings	Maintenance free ball bearings
Motorprotection	Integrated temperature switches
Cable	Variabel 450 mm
Norm	EN 60335-1

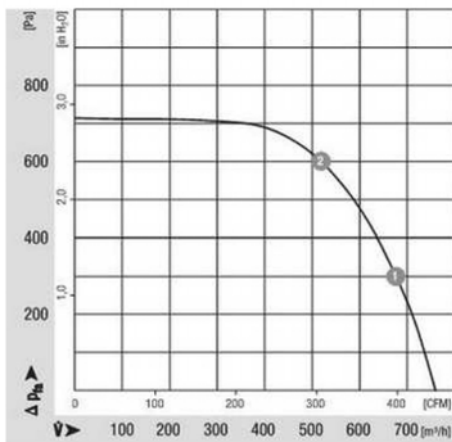
Nominal data		Voltage	Frequency	Air flow	Speed	Power consumption	Current draw	Capacitor capacity	Sound pressure level	Min. back pressure	Perm. amb. temp.	Weight
Type	Motor	VAC	Hz	m3/h	rpm	W	A	uF/V	dB (A)	Pa	C	kg
G2E180-EH03-01	M2E074EI	230	50	760	1950	400	1,75	8/400	73	0	-25..40	5,6
Subject to modification												

Pricing	Quantities			Accessories	
	1	5-9	10>	Capacitor	1-9 10-49
G2E180-EH03-01	272,50	273,00	213,30	280F00039	

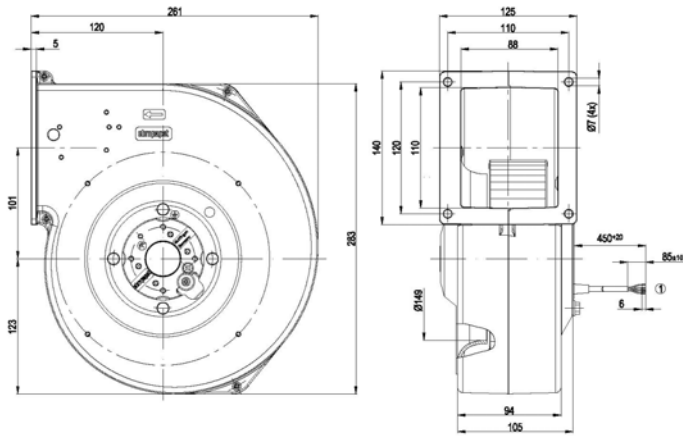
All prices are in euro, excluding VAT (BTW) Orders are shipped according to incoterms : DAP
 A handling fee of € 35,00 is added to every order with a total value of less than € 500,00 (net, excl. VAT)

[Download PDF datasheet](#)

Pressure over air flow at 50Hz

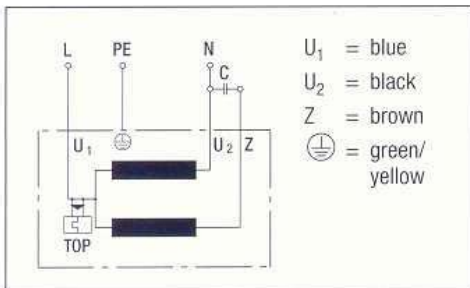


Specific drawing



Connection illustration

Single-phase capacitor motor with TOP wired internally



Single inlet forward curved



Material :	Rotor cast aluminium Wheel sendzimir steelplate
Direction of rotation	Right CW seen on rotor
Protection:	IP44
Isolation:	B
Condensate discharges	Rotor
Mounting position:	Free
Mode of operation:	Continuous S1
Bearings	Maintenance free ball bearings
Motorprotection	Integrated temperature switches
Cable	Variabel 600 mm
Norm	EN 60335-1

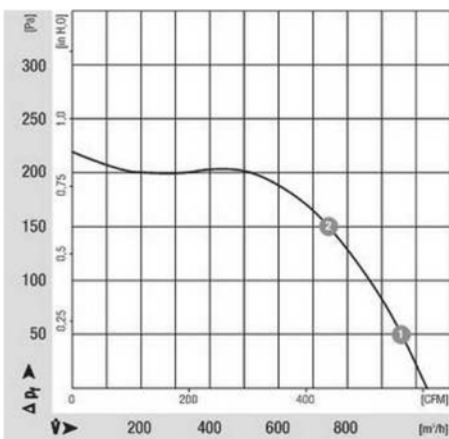
Nominal data		Voltage	Frequency	Air flow	Speed	Power consumption	Current draw	Capacitor capacity	Sound pressure level	Min. back pressure	Perm. amb. temp.	Weight
Type	Motor	VAC	Hz	m3/h	rpm	W	A	uF/V	dB (A)	Pa	C	kg
G4E180-GS11-01	M4E074DF	230	50	1030	1130	180	0,80	4/400	66	0	-25..45	6,4
Subject to modification												

Pricing	Quantities			Accessories		
	1	5-9	10>	Capacitor	1-9	10-49
Product Code						
G4E180-GS11-01	266,40	231,60	208,50	280F00036		

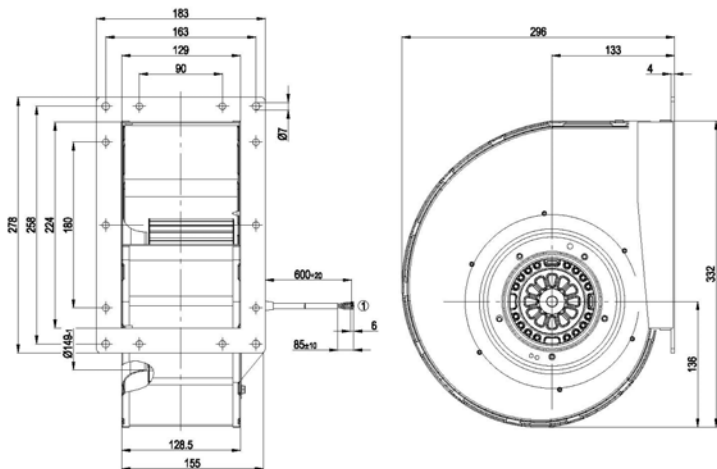
All prices are in euro, excluding VAT (BTW) Orders are shipped according to incoterms : DAP
 A handling fee of € 35,00 is added to every order with a total value of less than € 500,00 (net, excl. VAT)

[Download PDF datasheet](#)

Pressure over air flow at 50Hz

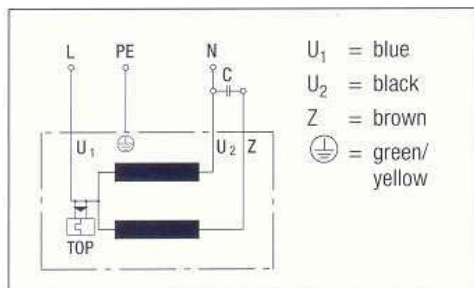


Specific drawing



Connection illustration

Single-phase capacitor motor with TOP wired internally



Double inlet forward curved



Material :	Rotor cast aluminium Wheel sendzimir steelplate
Direction of rotation	Right CW seen on rotor
Protection:	IP20
Isolation:	B
Condensate discharges	None
Mounting position:	Free
Mode of operation:	Continuous S1
Bearings	Maintenance free ball bearings
Motorprotection	Integrated temperature switches
Cable	Variabel 200 mm
Norm	EN 60335-1

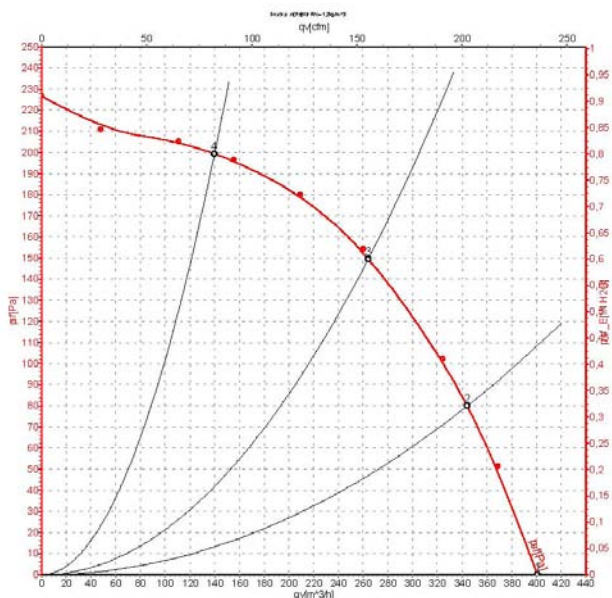
Nominal data		Voltage	Frequency	Air flow	Speed	Power consumption	Current draw	Capacitor capacity	Min. back pressure	Perm. amb. temp.	Weight
Type	Motor	VAC	Hz	m3/h	rpm	W	A	uF/V	Pa	C	kg
D2E097-BK80-02	M2E068	230	50	400	1750	77	0,34	2/400	0	-40..80	1,45

Subject to modification

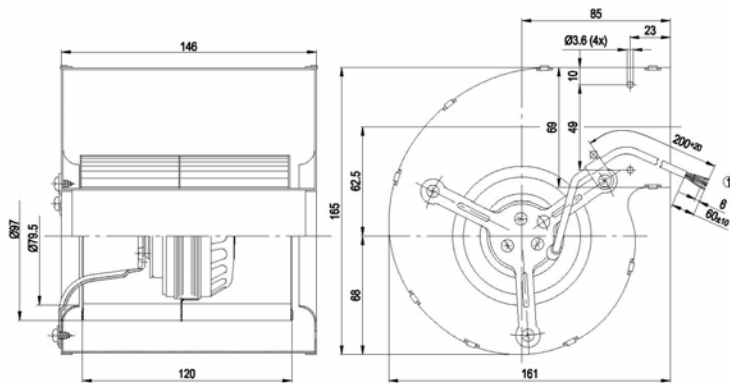
Pricing	Quantities			Accessories		
	1	5-9	10>	Capacitor	1-9	10-49
D2E097-BK80-02	134,00	116,50	104,90	280F00032		

All prices are in euro, excluding VAT (BTW) Orders are shipped according to incoterms : DAP
 A handling fee of € 35,00 is added to every order with a total value of less than € 500,00 (net, excl. VAT)

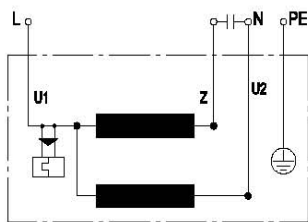
Pressure over air flow at 50Hz



Specific drawing



Connection illustration



U1	blue	Z	brown	U2	black
PE	green/yellow				

Double inlet forward curved



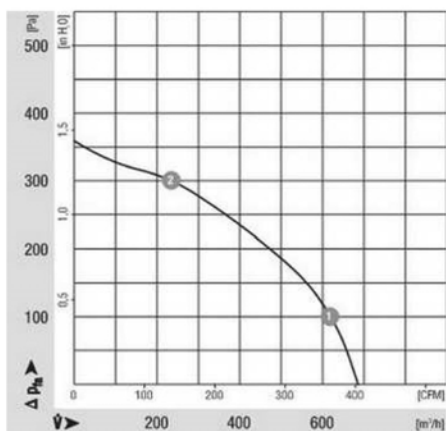
Material :	Rotor cast aluminium Wheel sendzimir steelplate
Direction of rotation	Right CW seen on rotor
Protection:	IP44
Isolation:	B
Condensate discharges	None
Mounting position:	Free
Mode of operation:	Continuous S1
Bearings	Maintenance free ball bearings
Motorprotection	Integrated temperature switches
Cable	Variabel 450 mm
Norm	EN 60335-1

Nominal data		Voltage	Frequency	Air flow	Speed	Power consumption	Current draw	Capacitor capacity	Sound pressure level	Min. back pressure	Perm. amb. temp.	Weight
Type	Motor	VAC	Hz	m3/h	rpm	W	A	uF/V	dB (A)	Pa	C	kg
D2E133-AM47-01	M2E068DF	230	50	685	1500	190	0,84	3/400	59	0	-25..45	3,5
Subject to modification												

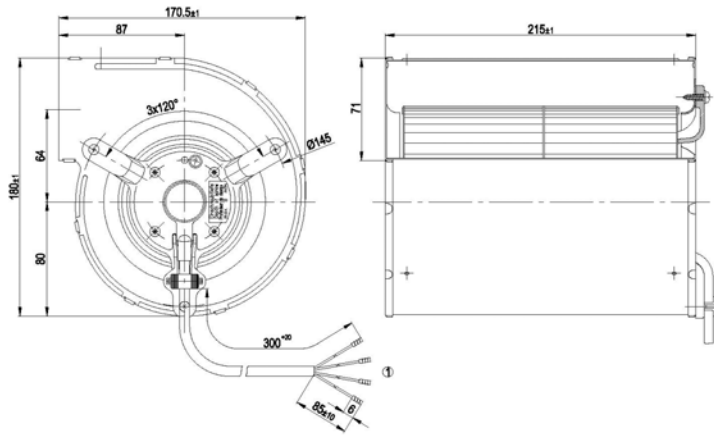
Pricing	Quantities			Accessories	
	1	5-9	10>	Capacitor	1-9 10-49
D2E133-AM47-01	155,60	135,30	121,70	280F00035	

All prices are in euro, excluding VAT (BTW) Orders are shipped according to incoterms : DAP
 A handling fee of € 35,00 is added to every order with a total value of less than € 500,00 (net, excl. VAT)

Pressure over air flow at 50Hz

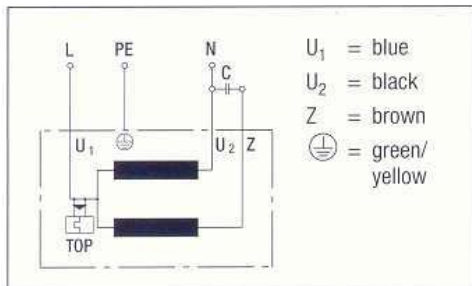


Specific drawing



Connection illustration

Single-phase capacitor motor with TOP wired internally



Double inlet forward curved



Material :	Rotor cast aluminium Wheel sendzimir steelplate
Direction of rotation	Right CW seen on rotor
Protection:	IP44
Isolation:	B
Condensate discharges	None
Mounting position:	Free
Mode of operation:	Continuous S1
Bearings	Maintenance free ball bearings
Motorprotection	Integrated temperature switches
Cable	Variabel 450 mm
Norm	EN 60335-1

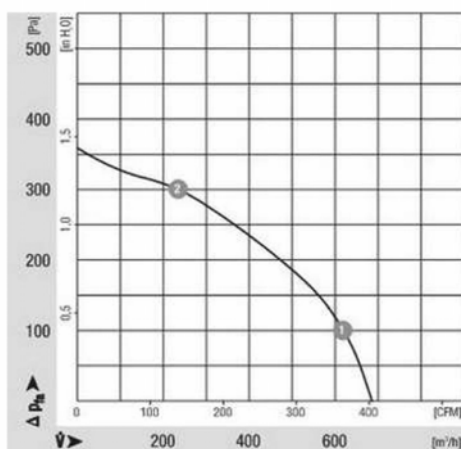
Nominal data		Voltage	Frequency	Air flow	Speed	Power consumption	Current draw	Capacitor capacity	Sound pressure level	Min. back pressure	Perm. amb. temp.	Weight
Type	Motor	VAC	Hz	m3/h	rpm	W	A	uF/V	dB (A)	Pa	C	kg
D2E133-AM47-23	M2E068DF	230	50	685	1500	190	0,84	3/400	59	0	-25..45	3,5
Subject to modification												

Product Code	Quantities			Accessories		
	1	5-9	10>	Capacitor	1-9	10-49
D2E133-AM47-23	168,00	146,00	131,50	280F00035		

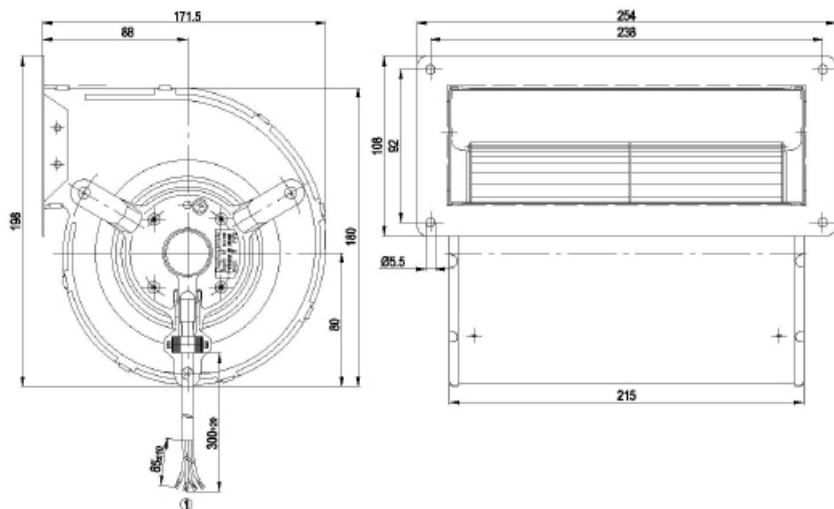
All prices are in euro, excluding VAT (BTW) Orders are shipped according to incoterms : DAP
 A handling fee of € 35,00 is added to every order with a total value of less than € 500,00 (net, excl. VAT)

[Download PDF datasheet](#)

Pressure over air flow at 50Hz

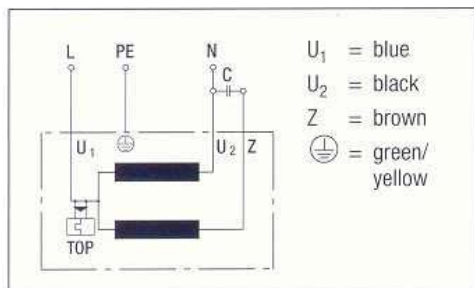


Specific drawing



Connection illustration

Single-phase capacitor motor with TOP wired internally



Double inlet forward curved



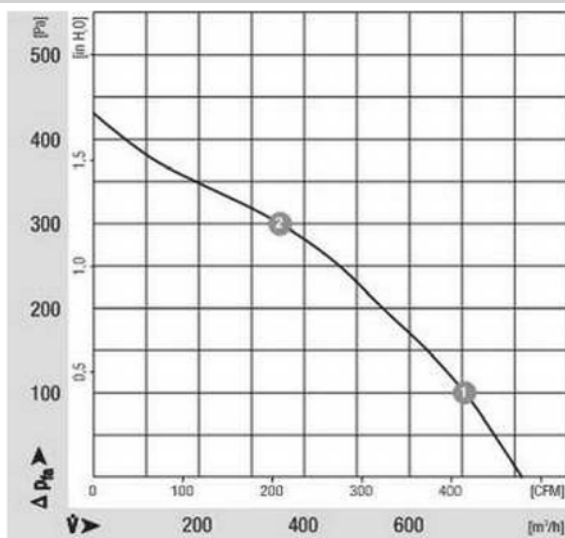
Material :	Rotor cast aluminium Wheel sendzimir steelplate
Direction of rotation:	Right CW seen on rotor
Protection:	IP44
Isolation:	B
Condensate discharges:	None
Mounting position:	Free,
Mode of operation:	Continuous S1
Bearings	Maintenance free ball bearings
Motorprotection	Integrated temperature switches
Cable	Variabel 300 mm
Norm	EN 60335-1

Nominal data		Voltage	Frequency	Air flow	Speed	Power consumption	Current draw	Capacitor capacity	Sound pressure level	Min. back pressure	Perm. amb. temp.	Weight
Type	Motor	VAC	Hz	m3/h	rpm	W	A	uF/V	dB (A)	Pa	C	kg
D2E133-DM47-01	M2E068DF	230	50	810	1150	190	0,84	3/400	56	0	-25..40	4,4
Subject to modification												

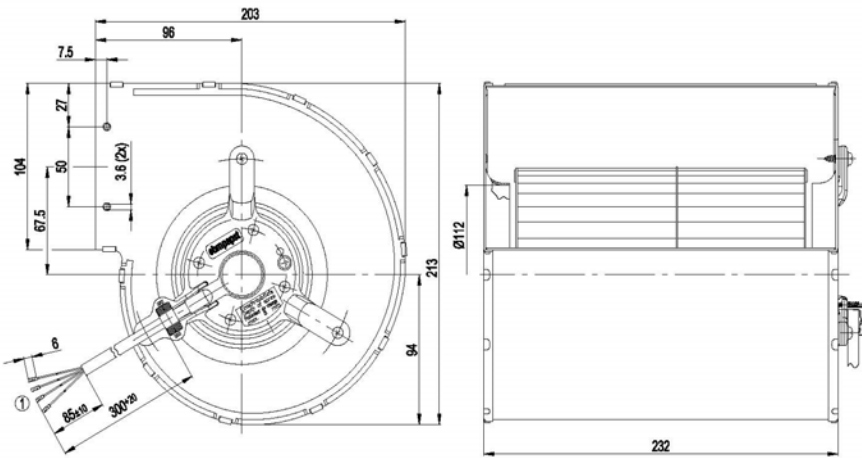
Pricing	Quantities			Accessories	
	1	5-9	10>	Capacitor	1-9 10-49
D2E133-DM47-01	155,60	135,30	121,70	280F00035	

All prices are in euro, excluding VAT (BTW) Orders are shipped according to incoterms : DAP
 A handling fee of € 35,00 is added to every order with a total value of less than € 500,00 (net, excl. VAT)

Pressure over air flow at 50Hz

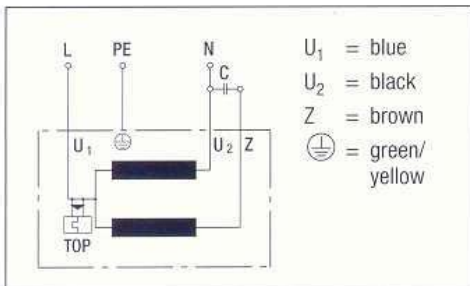


Specific drawing



Connection illustration

Single-phase capacitor motor with
TOP wired internally



Double inlet forward curved



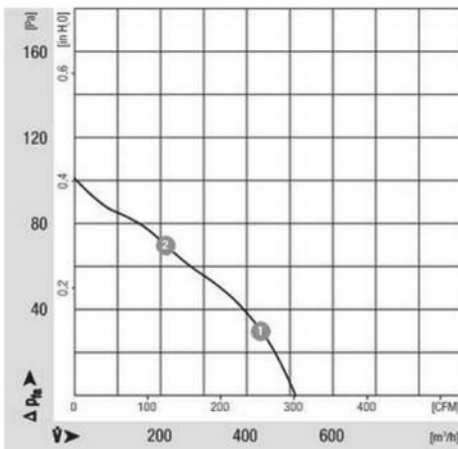
Material :	Rotor cast aluminium Wheel sendzimir steelplate
Direction of rotation	Right CW seen on rotor
Protection:	IP44
Isolation:	B
Condensate discharges	None
Mounting position:	Free
Mode of operation:	Continuous S1
Bearings	Maintenance free ball bearings
Motorprotection	Integrated temperature switches
Cable	Variabel 300 mm
Norm	EN 60335-1

Nominal data		Voltage	Frequency	Air flow	Speed	Power consumption	Current draw	Capacitor capacity	Sound pressure level	Min. back pressure	Perm. amb. temp.	Weight
Type	Motor	VAC	Hz	m3/h	rpm	W	A	uF/V	dB (A)	Pa	C	kg
D4E133-AH01-55	M4E068BF	230	50	510	1180	70	0,32	2/400	52	0	-25..40	2,6
Subject to modification												

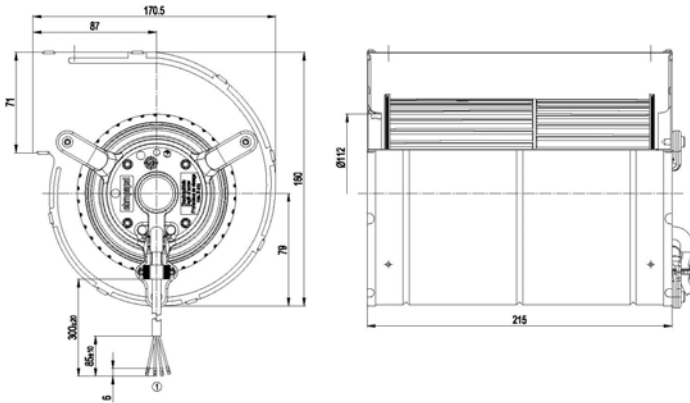
Pricing	Quantities			Accessories			
	Product Code	1	5-9	10>	Capacitor	1-9	10-49
	D4E133-AH01-55	109,10	94,90	85,40	280F00033		

All prices are in euro, excluding VAT (BTW) Orders are shipped according to incoterms : DAP
 A handling fee of € 35,00 is added to every order with a total value of less than € 500,00 (net, excl. VAT)

Pressure over air flow at 50Hz

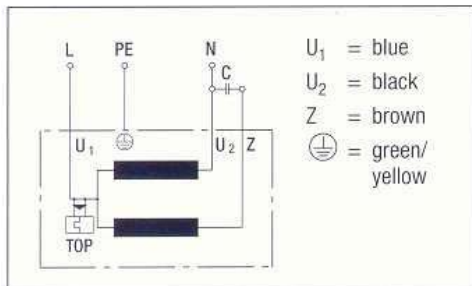


Specific drawing



Connection illustration

Single-phase capacitor motor with
TOP wired internally



Double inlet forward curved



Material :	Rotor cast aluminium Wheel sendzimir steelplate
Direction of rotation	Left CCW seen on rotor
Protection:	IP44
Isolation:	B
Condensate discharges	None
Mounting position:	Free
Mode of operation:	Continuous S1
Bearings	Maintenance free ball bearings
Motorprotection	Integrated temperature switches
Cable	Variabel 350 mm
Norm	EN 60335-1

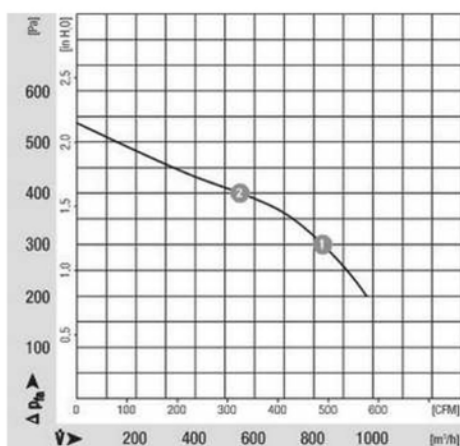
Nominal data		Voltage	Frequency	Air flow	Speed	Power consumption	Current draw	Capacitor capacity	Sound pressure level	Min. back pressure	Perm. amb. temp.	Weight
Type	Motor	VAC	Hz	m3/h	rpm	W	A	uF/V	dB (A)	Pa	C	kg
D2E146-AP47-22	M2E068EC	230	50	970	2050	300	1,32	8/400	63	200	-25..40	4,2
Subject to modification												

Product Code	Quantities			Accessories		
	1	5-9	10>	Capacitor	1-9	10-49
D2E146-AP47-22	255,10	221,80	199,70	280F00039		

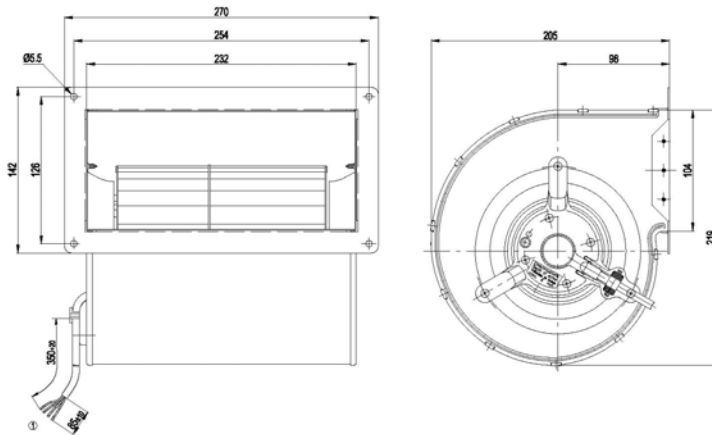
All prices are in euro, excluding VAT (BTW) Orders are shipped according to incoterms : DAP
 A handling fee of € 35,00 is added to every order with a total value of less than € 500,00 (net, excl. VAT)

[Download PDF datasheet](#)

Pressure over air flow at 50Hz

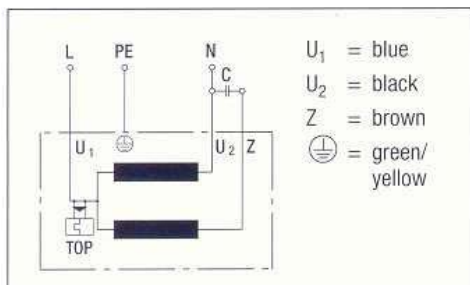


Specific drawing



Connection illustration

Single-phase capacitor motor with TOP wired internally



Double inlet forward curved



Material :	Rotor cast aluminium Wheel sendzimir steelplate
Direction of rotation	Right CW seen on rotor
Protection:	IP20
Isolation:	F
Condensate discharges	None
Mounting position:	Horizontal axis
Mode of operation:	Continuous S1
Bearings	Maintenance free bearings
Motorprotection	Integrated temperature switches
Cable	Connector
Norm	EN 60335-1

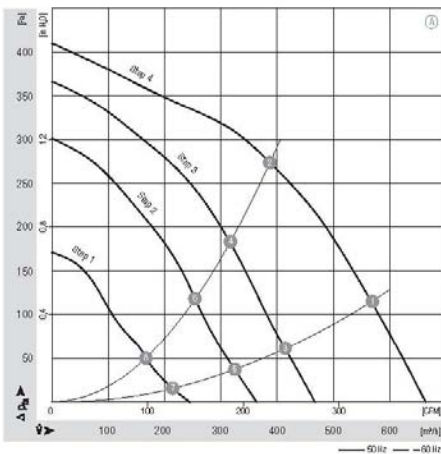
Nominal data		Voltage	Frequency	Air flow	Speed	Power consumption	Current draw	Capacitor capacity	Sound pressure level	Min. back pressure	Perm. amb. temp.	Weight
Type	Motor	VAC	Hz	m3/h	rpm	W	A	uF/V	dB (A)	Pa	C	kg
D2E146-HS97-01		230	50	725	1450	200	0,88	5/400	58	0	-25..50	3,5
Subject to modification												

Pricing	Quantities			Accessories				
	1	5-9	10>	Cable	1-4	5-9	10>	Capacitor
D2E146-HS97-01	118,40	102,90	92,60	21956-4-1040	4,20	3,70	3,30	Integrated

All prices are in euro, excluding VAT (BTW) Orders are shipped according to incoterms : DAP
 A handling fee of € 35,00 is added to every order with a total value of less than € 500,00 (net, excl. VAT)

[Download PDF datasheet](#)

Pressure over air flow at 50Hz



Double inlet forward curved



Material :	Rotor cast aluminium Wheel sendzimir steelplate
Direction of rotation	Right CW seen on rotor
Protection:	IP20
Isolation:	F
Condensate discharges	None
Mounting position:	Free
Mode of operation:	Continuous S1
Bearings	Maintenance free bearings
Motorprotection	Integrated temperature switches
Cable	Connector
Norm	EN 60335-1

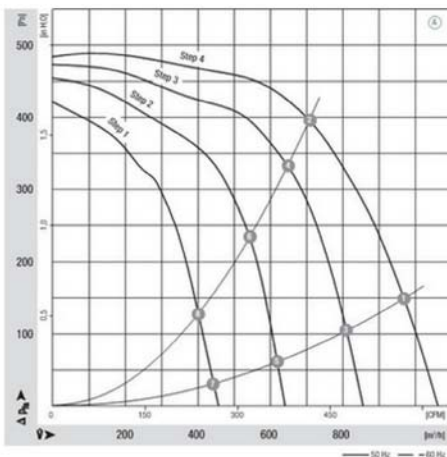
Nominal data		Voltage	Frequency	Air flow	Speed	Power consumption	Current draw	Capacitor capacity	Sound pressure level	Min. back pressure	Perm. amb. temp.	Weight
Type	Motor	VAC	Hz	m3/h	rpm	W	A	uF/V	dB (A)	Pa	C	kg
D2E146-HT67-01		230	50	1060	1850	355	1,55	8/400	66	0	-25..50	3,6
Subject to modification												

Pricing	Quantities			Accessories				
	1	5-9	10>	Cable	1-4	5-9	10>	Capacitor
D2E146-HT67-01	129,00	112,20	101,00	21956-4-1040	4,20	3,70	3,30	Integrated

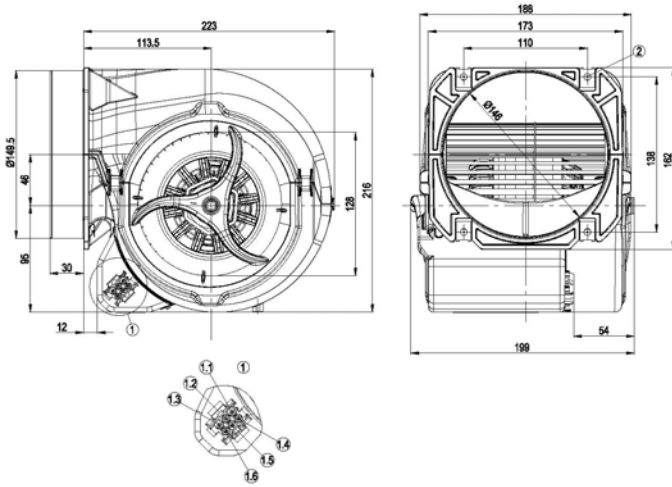
All prices are in euro, excluding VAT (BTW) Orders are shipped according to incoterms : DAP
 A handling fee of € 35,00 is added to every order with a total value of less than € 500,00 (net, excl. VAT)

[Download PDF datasheet](#)

Pressure over air flow at 50Hz



Specific drawing

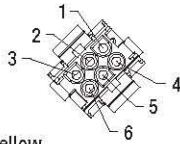


Connection illustration

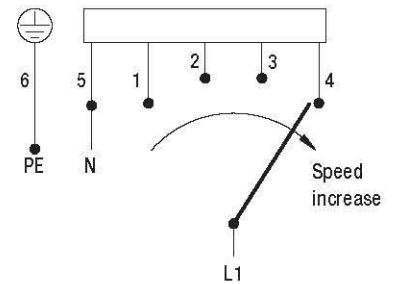
View X

AMP Universal Mate-N-Lok coded plug system
 Connector shell: AMP 926 682-3
 6 x plug pin: AMP 926 886-1

- | | |
|----------------------|--------------|
| 1 = Step 1 (min.) | white |
| 2 = Step 2 | red |
| 3 = Step 3 | grey |
| 4 = Step 4 (max.) | black |
| 5 = N | blue |
| 6 = Protective earth | green/yellow |



Electrical connection:
 When changing speeds,
 switch must break the
 circuit



Double inlet forward curved



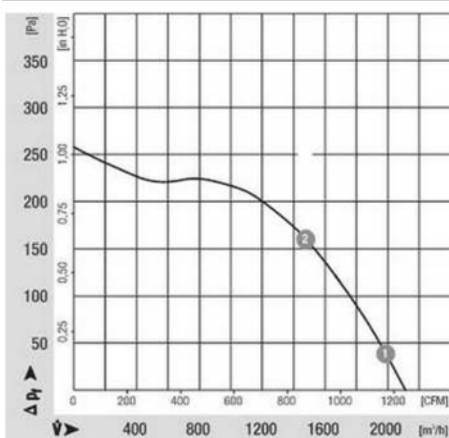
Material :	Rotor cast aluminium Wheel sendzimir steelplate
Direction of rotation	Right CW seen on rotor
Protection:	IP44
Isolation:	F
Condensate discharges	None
Mounting position:	Free
Mode of operation:	Continuous S1
Bearings	Maintenance free ball bearings
Motorprotection	Integrated temperature switches
Cable	Variabel 450 mm
Norm	EN 60335-1

Nominal data		Voltage	Frequency	Air flow	Speed	Power consumption	Current draw	Capacitor capacity	Sound pressure level	Min. back pressure	Perm. amb. temp.	Weight
Type	Motor	VAC	Hz	m3/h	rpm	W	A	uF/V	dB (A)	Pa	C	kg
D4E-180-CA02-26		230	50	2110	1250	380	1,68	10/400	64	0	-25..60	10,8
Subject to modification												

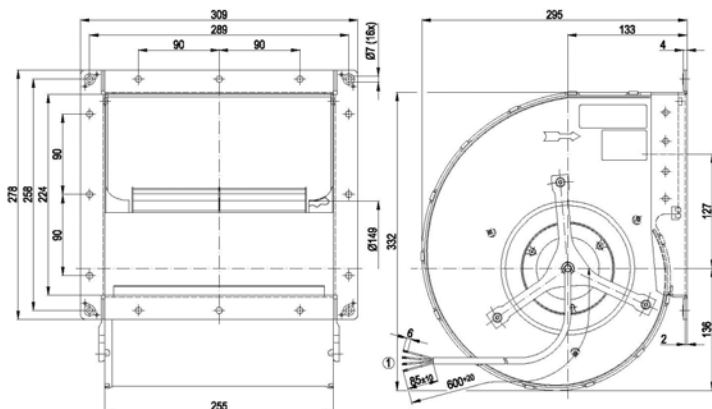
Pricing	Quantities			Accessories			
	Product Code	1	5-9	10>	Capacitor	1-9	10-49
D4E-180-CA02-26	424,60	369,20	332,20		280F00040		

All prices are in euro, excluding VAT (BTW) Orders are shipped according to incoterms : DAP
 A handling fee of € 35,00 is added to every order with a total value of less than € 500,00 (net, excl. VAT)

Pressure over air flow at 50Hz

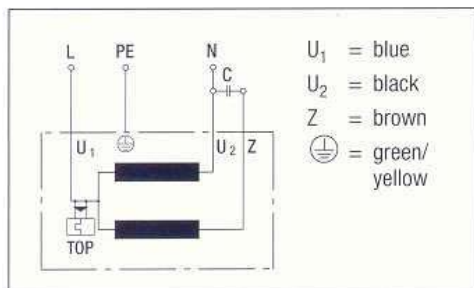


Specific drawing



Connection illustration

Single-phase capacitor motor with TOP wired internally



Double inlet forward curved



Material :	Rotor cast aluminium Wheel sendzimir steelplate
Direction of rotation	Right CCW seen on rotor
Protection:	IP54
Isolation:	B
Condensate discharges	None
Mounting position:	Free
Mode of operation:	Continuous S1
Bearings	Maintenance free ball bearings
Motorprotection	Integrated temperature switches
Cable	Variabel 600 mm
Norm	EN 60335-1

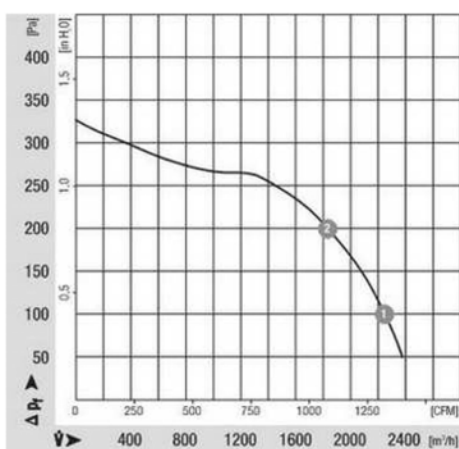
Nominal data		Voltage	Frequency	Air flow	Speed	Power consumption	Current draw	Capacitor capacity	Sound pressure level	Min. back pressure	Perm. amb. temp.	Weight
Type	Motor	VAC	Hz	m3/h	rpm	W	A	uF/V	dB (A)	Pa	C	kg
D4E200-CA02-02	M4E068LA	230	50	2380	1100	490	2,15	10/400	60	50	-25..40	11,9
Subject to modification												

Pricing	Quantities			Accessories			
	Product Code	1	5-9	10>	Capacitor	1-9	10-49
	D4E200-CA02-02	454,00	394,80	355,20	280F00040		

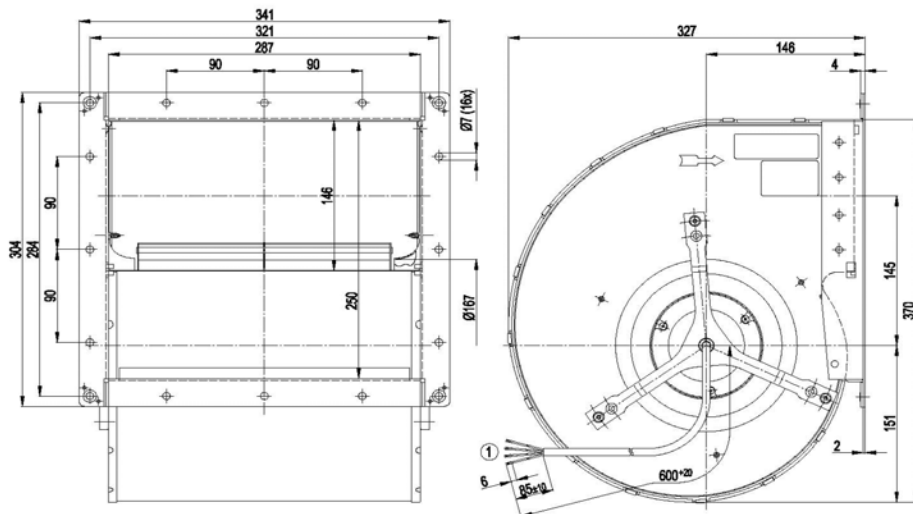
All prices are in euro, excluding VAT (BTW) Orders are shipped according to incoterms : DAP
 A handling fee of € 35,00 is added to every order with a total value of less than € 500,00 (net, excl. VAT)

[Download PDF datasheet](#)

Pressure over air flow at 50Hz

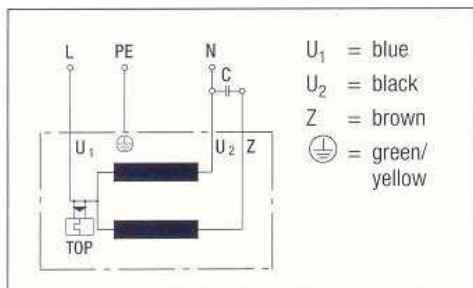


Specific drawing



Connection illustration

Single-phase capacitor motor with TOP wired internally



Double inlet forward curved



Material :	Rotor coated Black Wheel sendzimir steelplate
Direction of rotation	Right CW seen on rotor
Protection:	IP44
Isolation:	F
Condensate discharges	None
Mounting position:	Free
Mode of operation:	Continuous S1
Bearings	Maintenance free ball bearings
Motorprotection	Integrated temperature switches
Cable	Variabel 450 mm
Norm	EN 60335-1

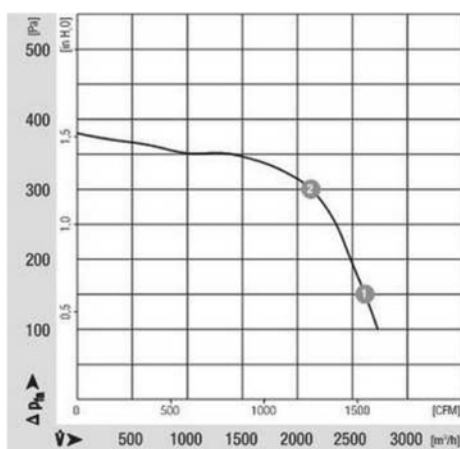
Nominal data		Voltage	Frequency	Air flow	Speed	Power consumption	Current draw	Capacitor capacity	Sound pressure level	Min. back pressure	Perm. amb. temp.	Weight
Type	Motor	VAC	Hz	m3/h	rpm	W	A	uF/V	dB (A)	Pa	C	kg
D4E225-CC01-21	M4E074LA	230	50	2650	1150	650	2,84	25/400	65	100	-25..55	12,4
Subject to modification												

Pricing	Quantities			Accessories		
	1	5-9	10>	Capacitor	1-9	10-49
D4E225-CC01-21	467,50	406,60	365,90	280F00045		

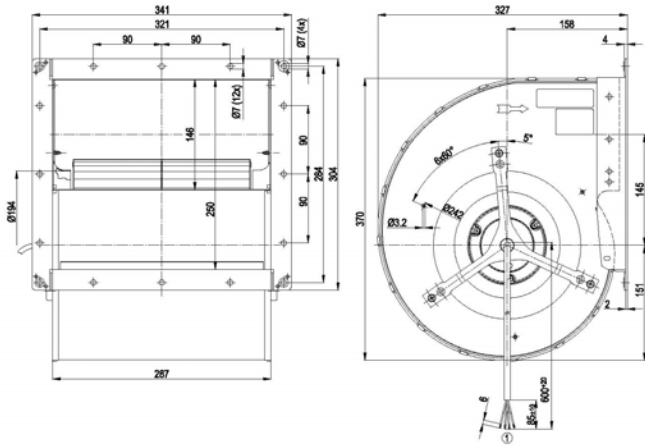
All prices are in euro, excluding VAT (BTW) Orders are shipped according to incoterms : DAP
 A handling fee of € 35,00 is added to every order with a total value of less than € 500,00 (net, excl. VAT)

[Download PDF datasheet](#)

Pressure over air flow at 50Hz

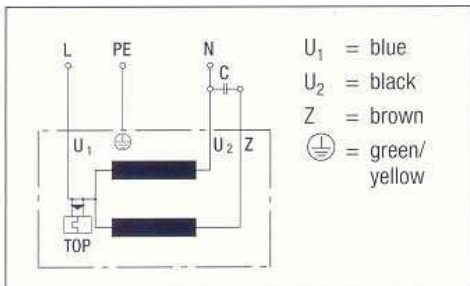


Specific drawing



Connection illustration

Single-phase capacitor motor with TOP wired internally



Double inlet forward curved



Material :	Rotor cast aluminium Wheel sendzimir steelplate
Direction of rotation	Right CCW seen on rotor
Protection:	IP20
Isolation:	F
Condensate discharges	None
Mounting position:	Free
Mode of operation:	Continuous S1
Bearings	Maintenance free ball bearings
Motorprotection	Integrated temperature switches
Cable	Variabel 600 mm
Norm	EN 60335-1

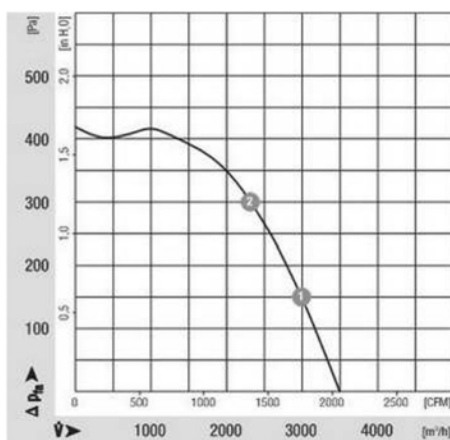
Nominal data		Voltage	Frequency	Air flow	Speed	Power consumption	Current draw	Capacitor capacity	Sound pressure level	Min. back pressure	Perm. amb. temp.	Weight
Type	Motor	VAC	Hz	m3/h	rpm	W	A	uF/V	dB (A)	Pa	C	kg
D4E240-BA01-01	M4E094IF	230	50	3490	1300	1020	4,45	25/400	72	0	-40..50	15,3
Subject to modification												

Pricing	Quantities			Accessories		
	1	5-9	10>	Capacitor	1-9	10-49
D4E240-BA01-01	511,20	444,50	400,10	280F00045		

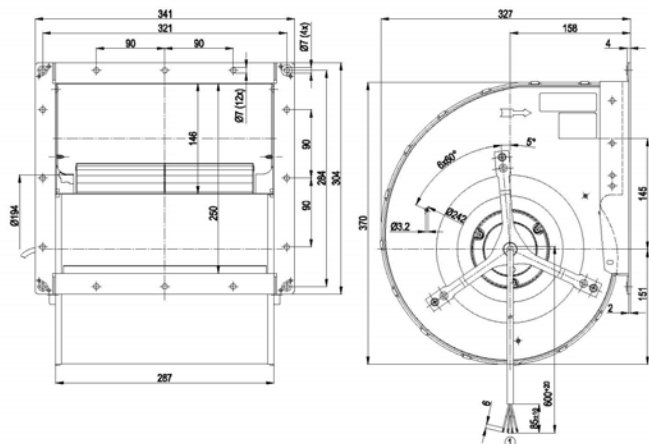
All prices are in euro, excluding VAT (BTW) Orders are shipped according to incoterms : DAP
 A handling fee of € 35,00 is added to every order with a total value of less than € 500,00 (net, excl. VAT)

[Download PDF datasheet](#)

Pressure over air flow at 50Hz

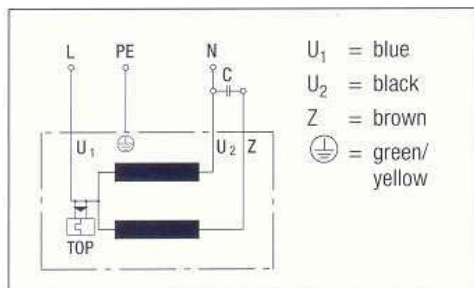


Specific drawing



Connection illustration

Single-phase capacitor motor with TOP wired internally



Backward curved



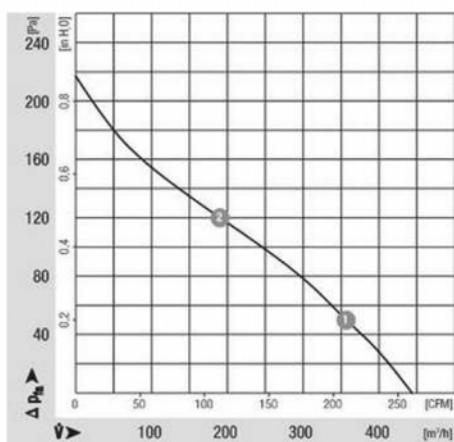
Material :	Rotor coated Black Wheel PA 6.6
Direction of rotation	Right CW seen on rotor
Protection:	IP20
Isolation:	B
Condensate discharges	None
Mounting position:	Free
Mode of operation:	Continuous S1
Bearings	Maintenance free ball bearings
Motorprotection	Integrated temperature switches
Cable	Axial out of stator length : 400 mm
Norm	EN 60335-1

Nominal data		Voltage	Frequency	Air flow	Speed	Power consumption	Current draw	Capacitor capacity	Sound pressure level	Min. back pressure	Perm. amb. temp.	Weight
Type	Motor	VAC	Hz	m3/h	rpm	W	A	uF/V	dB (A)	Pa	C	kg
R2S175-AB56-01	M2S052CA	230	50	440	2350	53	0,33	-	61	-	-25..40	0,9
Subject to modification												

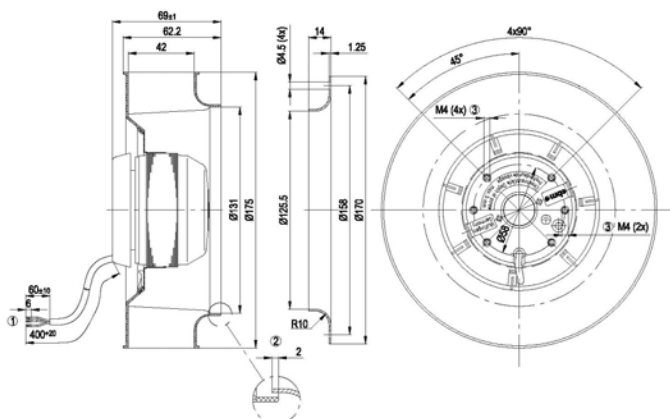
Pricing			
Product Code	Quantities		
	1	5-9	10>
R2S175-AB56-01	73,20	63,70	57,20

All prices are in euro, excluding VAT (BTW) Orders are shipped according to incoterms : DAP
 A handling fee of € 35,00 is added to every order with a total value of less than € 500,00 (net, excl. VAT)

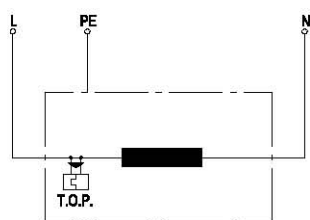
Pressure over air flow at 50Hz



Specific drawing



Connection illustration



L	= blue
PE	= green / yellow
N	= brown
TOP	= Thermal overload protector

Backward curved



Material :	Rotor coated Black Wheel PA6.6
Direction of rotation	Right CW seen on rotor
Protection:	IP44
Isolation:	B
Condensate discharges	Rotor
Mounting position:	Free, rotor on top on request
Mode of operation:	Continuous S1
Bearings	Maintenance free ball bearings
Motorprotection	Integrated temperature switches
Cable	Axial out of stator length : 450 mm
Norm	EN 60335-1

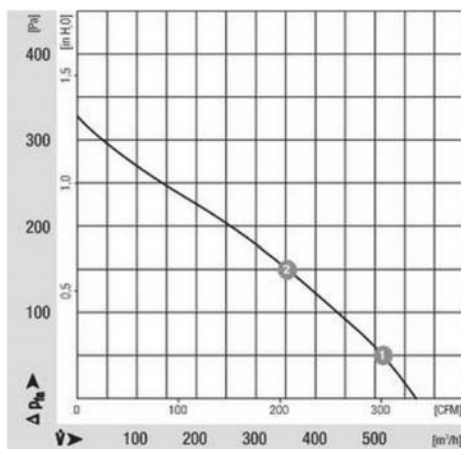
Nominal data		Voltage	Frequency	Air flow	Speed	Power consumption	Current draw	Capacitor capacity	Min. back pressure	Perm. amb. temp.	Weight
Type	Motor	VAC	Hz	m3/h	rpm	W	A	uF/V	Pa	C	kg
R2E190-AO26-05	M2E068BF	230	50	570	2500	58	0,26	2/400-	-	-25..50	1,2

Subject to modification

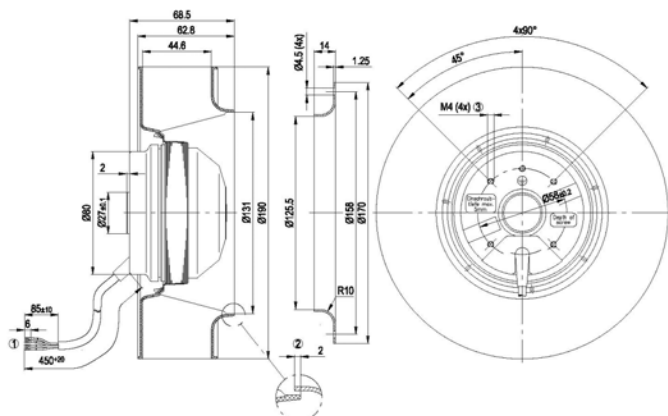
Pricing	Quantities			Accessories		
	1	5-9	10>	Capacitor	1-9	10-49
R2E190-AO26-05	76,80	66,80	60,10	280F00033		

All prices are in euro, excluding VAT (BTW) Orders are shipped according to incoterms : DAP
 A handling fee of € 35,00 is added to every order with a total value of less than € 500,00 (net, excl. VAT)

Pressure over air flow at 50Hz

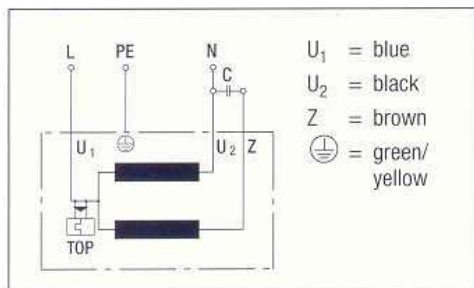


Specific drawing



Connection illustration

Single-phase capacitor motor with TOP wired internally



Backward curved



Material : Rotor coated Black
Wheel PA6.6

Direction of rotation : Right CW seen on rotor

Protection: IP44

Isolation: B

Condensate discharges : None

Mounting position: Free, rotor on top on request

Mode of operation: Continuous S1

Bearings : Maintenance free ball bearings

Motorprotection : Integrated temperature switches

Cable : Variabel out of stator length: 450 mm

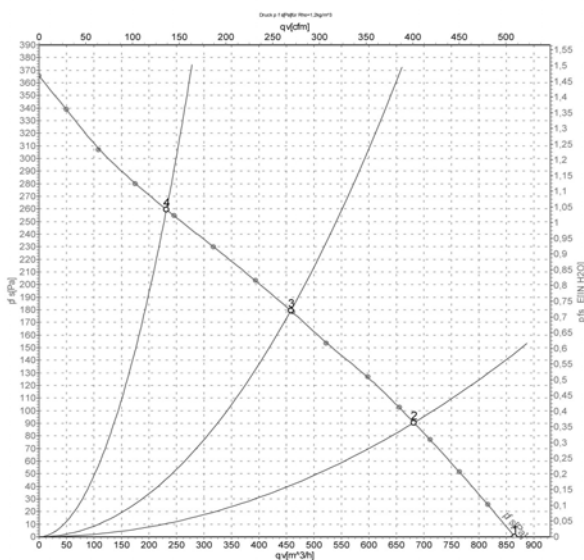
Norm : EN 60335-1

Nominal data		Voltage	Frequency	Air flow	Speed	Power consumption	Current draw	Capacitor capacity	Sound pressure level	Min. back pressure	Perm. amb. temp.	Weight
Type	Motor	VAC	Hz	m3/h	rpm	W	A	uF/V	dB (A)	Pa	C	kg
R2E220-AA40-05	M2E068BF	230	50	860	2600	85	0,38	3/400-	73	-	-25..40	1,3
Subject to modification												

Pricing	Quantities			Accessories			
	Product Code	1	5-9	10>	Capacitor	1-9	10-49
	R2E220-AA40-05	77,90	67,80	61,00	280F00035		

All prices are in euro, excluding VAT (BTW) Orders are shipped according to incoterms : DAP
A handling fee of € 35,00 is added to every order with a total value of less than € 500,00 (net, excl. VAT)

Pressure over air flow at 50Hz



Backward curved



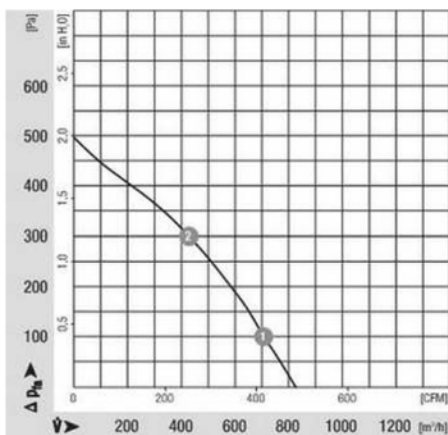
Material : Rotor coated Black
 Wheel sendzimir steelplate black
 Direction of rotation Right CW seen on rotor
 Protection: IP44
 Isolation: B
 Condensate discharges Rotor side
 Mounting position: Free, rotor on top on request
 Mode of operation: Continuous S1
 Bearings Maintenance free ball bearings
 Motorprotection Integrated temperature switches
 Cable Axial out of stator length : 450 mm
 Norm EN 60335-1

Nominal data		Voltage	Frequency	Air flow	Speed	Power consumption	Current draw	Capacitor capacity	Sound pressure level	Min. back pressure	Perm. amb. temp.	Weight
Type	Motor	VAC	Hz	m3/h	rpm	W	A	uF/V	dB (A)	Pa	C	kg
R2E225-AT51-05	M2E068DF	230	50	850	2650	105	0,46	3/400-	70	-	-25..60	2,1
Subject to modification												

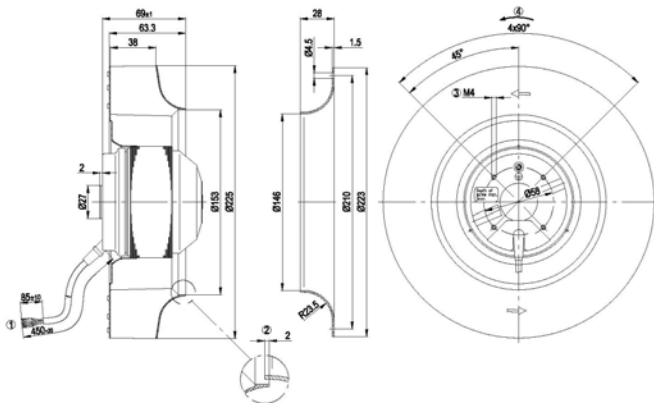
Pricing	Quantities			Accessories		
	1	5-9	10>	Capacitor	1-9	10-49
R2E225-AT51-05	114,60	99,60	89,60	280F00035		

All prices are in euro, excluding VAT (BTW) Orders are shipped according to incoterms : DAP
 A handling fee of € 35,00 is added to every order with a total value of less than € 500,00 (net, excl. VAT)

Pressure over air flow at 50Hz

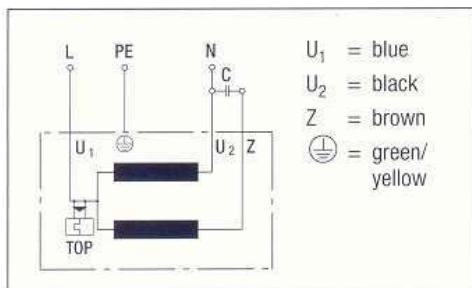


Specific drawing



Connection illustration

Single-phase capacitor motor with
TOP wired internally



Backward curved



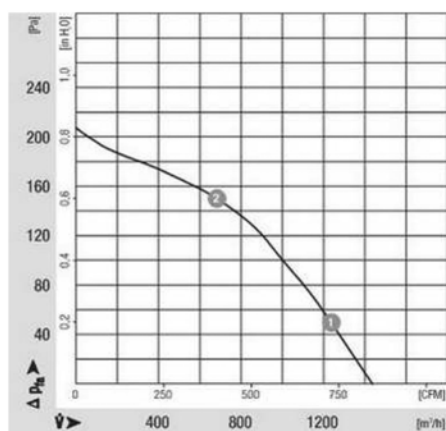
Material :	Rotor coated Black Wheel sendzimir steelplate Black
Direction of rotation	Right CW seen on rotor
Protection:	IP44
Isolation:	B
Condensate discharges	Rotor
Mounting position:	Free, rotor on top on request
Mode of operation:	Continuous S1
Bearings	Maintenance free ball bearings
Motorprotection	Integrated temperature switches
Cable	Axial out of stator length: 450 mm
Norm	EN 60335-1

Nominal data		Voltage	Frequency	Air flow	Speed	Power consumption	Current draw	Capacitor capacity	Sound pressure level	Min. back pressure	Perm. amb. temp.	Weight
Type	Motor	VAC	Hz	m3/h	rpm	W	A	uF/V	dB (A)	Pa	C	kg
R4E280-AD08-05	M4E068DF	230	50	1425	1420	78	0,35	2,5/400	62	-	-25..40	2,8
Subject to modification												

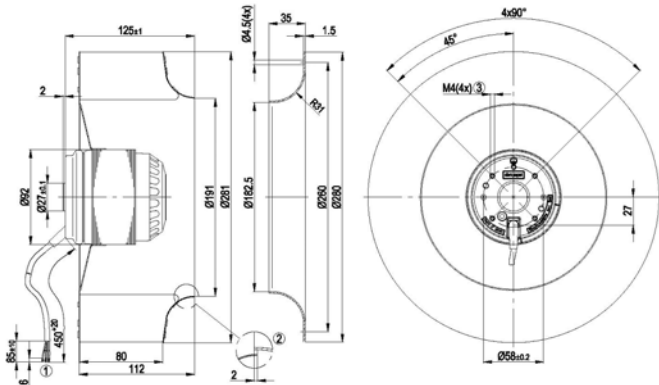
Pricing	Quantities			Accessories			
	Product Code	1	5-9	10>	Capacitor	1-9	10-49
	R4E280-AD08-05	182,90	159,00	143,10	280F00034		

All prices are in euro, excluding VAT (BTW) Orders are shipped according to incoterms : DAP
 A handling fee of € 35,00 is added to every order with a total value of less than € 500,00 (net, excl. VAT)

Pressure over air flow at 50Hz

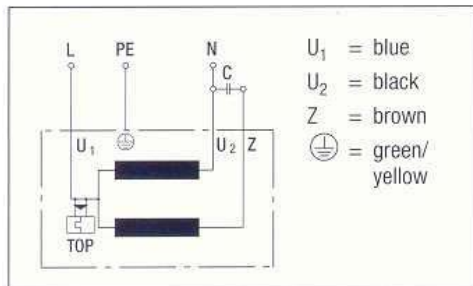


Specific drawing



Connection illustration

Single-phase capacitor motor with TOP wired internally



Double inlet forward curved



Material :	Rotor cast aluminium Wheel sendzimir steelplate
Direction of rotation	Right CW seen on rotor
Protection:	IP44
Isolation:	B
Condensate discharges	Rotor
Mounting position:	Free
Mode of operation:	Continuous S1
Bearings	Maintenance free ball bearings
Motorprotection	Locked rotor protection
Cable	Variabel 450 mm
Norm	EN 60335-1

Nominal data		Voltage	Frequency	Air flow	Speed	Power consumption	Current draw	Capacitor capacity	Sound pressure level	Min. back pressure	Perm. amb. temp.	Weight
Type	Motor	VAC	Hz	m3/h	rpm	W	A	uF/V	dB (A)	Pa	C	kg
D3G133-BF03-02	M3G055CF	230	50	890	1280	86	0,65		52	0	-25..40	3

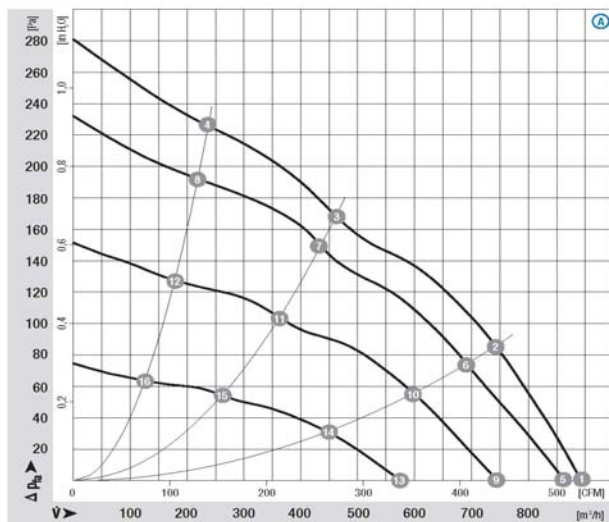
Subject to modification

Pricing	Quantities			Accessories	
	1	5-9	10>	Speed control device	Price
D3G133-BF03-02	157,70	137,10	123,50	280A00050	34,35

All prices are in euro, excluding VAT (BTW) Orders are shipped according to incoterms : DAP
 A handling fee of € 35,00 is added to every order with a total value of less than € 500,00 (net, excl. VAT)

[Download PDF datasheet](#)

Pressure over air flow at 50Hz



See curve 2, 3, 4

Double inlet forward curved



Material :	Housing material PP plastic, Black Impeller material sheet steel, hot galvanised
Direction of rotation	Counter CW seen on rotor
Protection:	IP44
Isolation:	F
Condensate discharges	None
Mounting position:	Free,
Mode of operation:	Continuous S1
Bearings	Maintenance free ball bearings
Motorprotection	Integrated temperature switches
Cable	Connector
Norm	EN 60335-1

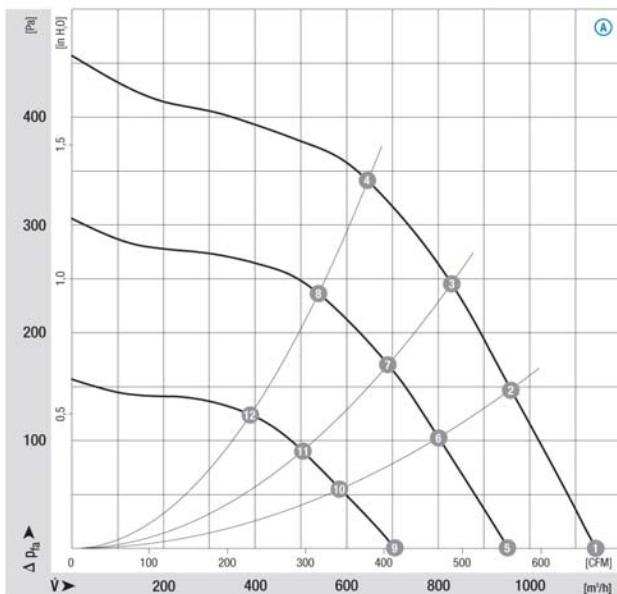
Nominal data		Voltage	Frequency	Air flow	Speed	Power consumption	Current draw	Capacitor capacity	Sound pressure level	Min. back pressure	Perm. amb. temp.	Weight
Type	Motor	VAC	Hz	m3/h	rpm	W	A	uF/V	dB (A)	Pa	C	kg
D3G146-LV13-01		230	50	1140	1550	182	1,40		64	0	-40..80	2,9
Subject to modification												

Product Code	Quantities			Accessories		
	1	5-9	10>	Speed control device	Price	Connection leads
D3G146-LV13-01	186,70	163,90	144,80	280A00050	34,35	See page 211

All prices are in euro, excluding VAT (BTW) Orders are shipped according to incoterms : DAP
A handling fee of € 35,00 is added to every order with a total value of less than € 500,00 (net, excl. VAT)

[Download PDF datasheet](#)

Pressure over air flow at 50Hz



80 x 80 x 38



Material : Rotor coated Black
 Blades coated black steelplate
 Direction of rotation: Right CW seen on rotor
 Number of blades: 5
 Protection: IP20
 Isolation: B
 Mounting position: Free
 Mode of operation: Continuous S1
 Bearings: Maintenance free bearings
 Motorprotection: Impedance protected
 Cable: Cable 310 mm
 Norm: IEC 60038

Nominal data	Voltage	Frequency	Air flow	Speed	Power consumption	Bearing	Sound pressure level	Service life 40 C	Service life at T max	Perm. amb. temp.	Weight
Type	VAC	Hz	m3/h	rpm	W		dB (A)	Hrs	Hrs	C	kg
8556 VW / 9244014609	230	50/60	50	2800	12	Ball	37	52500	15000	-40..90	0,5

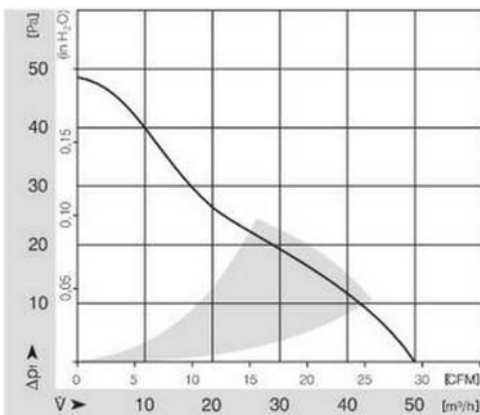
Note : fans used at 60Hz have slightly more air performance

Pricing	Quantities			Accessories	
	1	5-9	10>		
Product Code	8556 VW / 9244014609	40,50	35,24	29,97	Grill LZ32-4/9920032004

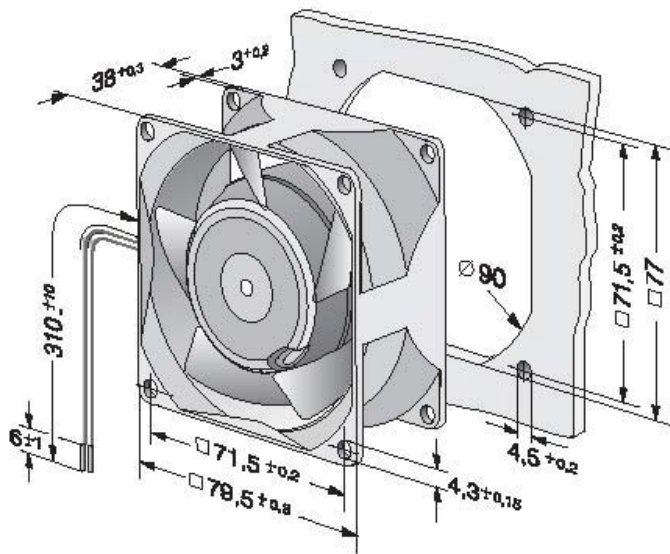
All prices are in euro, excluding VAT (BTW) Orders are shipped according to incoterms : DAP
 A handling fee of € 35,00 is added to every order with a total value of less than € 500,00 (net, excl. VAT)

[Download PDF datasheet](#)

Pressure over air flow rated Voltage



Specific drawing



80 x 80 x 38



Material : Rotor coated Black
Blades coated black steelplate
Direction of rotation: Right CW seen on rotor
Number of blades: 5
Protection: IP20
Isolation: B
Mounting position: Free,
Mode of operation: Continuous S1
Bearings: Maintenance free bearings
Motorprotection: Impedance protected
Cable: Cable 310 mm
Norm: IEC 60038

Nominal data	Voltage	Frequency	Air flow	Speed	Power consumption	Bearing	Sound pressure level	Service life 40 C	Service life at T max	Perm. amb. temp.	Weight
Type	VAC	Hz	m3/h	rpm	W		dB (A)	Hrs	Hrs	C	kg
8526 VWR-686 / 9244014686	24	50/60	47	2800	12	Ball	31	52500	40000	-20..90	0,5

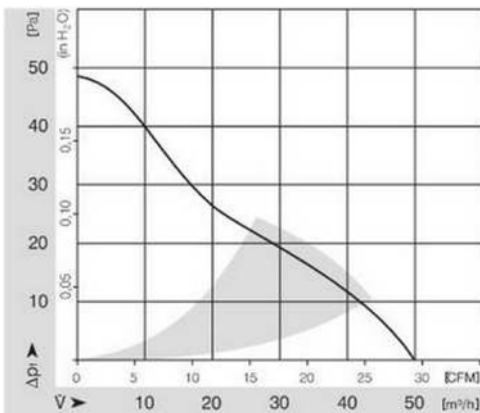
Note : fans used at 60Hz have slightly more air performance

Pricing	Quantities			Accessories
	1	5-9	10>	
Product Code				Grill
8526 VWR-686 / 9244014686	45,90	39,93	33,97	LZ32-4 99200.32004

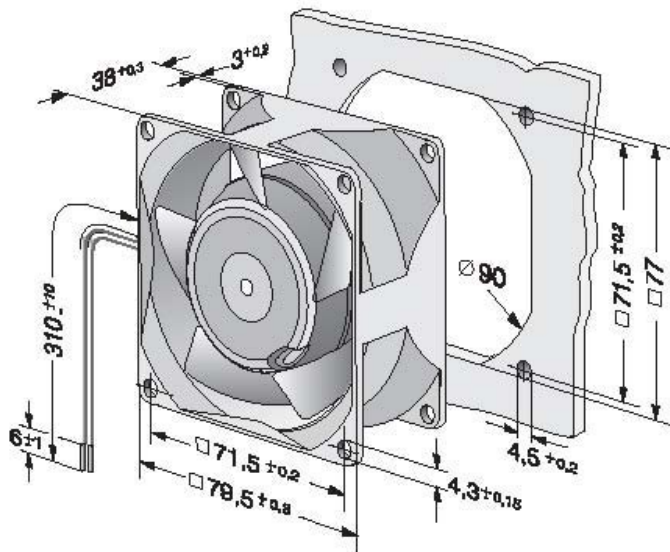
All prices are in euro, excluding VAT (BTW) Orders are shipped according to incoterms : DAP
A handling fee of € 35,00 is added to every order with a total value of less than € 500,00 (net, excl. VAT)

[Download PDF datasheet](#)

Pressure over air flow rated Voltage



Specific drawing



92 x 92 x 25



Material : Rotor coated Black PA6
 Blades coated black steelplate
 Direction of rotation: Right CW seen on rotor
 Number of blades: 5
 Protection: IP20
 Isolation: B
 Mounting position: Free
 Mode of operation: Continuous S1
 Bearings: Maintenance free bearings
 Motorprotection: Impedance protected
 Cable: Terminal on housing 2,8 x 0,5 mm
 Norm: IEC 60038

Nominal data	Voltage	Frequency	Air flow	Speed	Power consumption	Bearing	Sound pressure level	Service life 40 C	Service life at T max	Perm. amb. temp.	Weight
Type	VAC	Hz	m3/h	rpm	W		dB (A)	Hrs	Hrs	C	kg
3956 / 9282708100	230	50/60	59	2650	11	Ball	35	55000	20000	-40..80	0,3

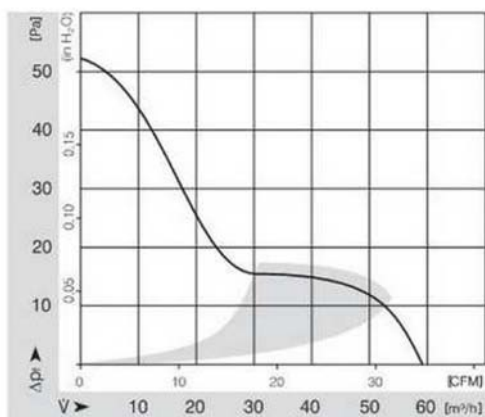
Note : fans used at 60Hz have slightly more air performance

Pricing	Quantities			Accessories
	1	5-9	10>	
Product Code				Grill
3956 / 9282708100	33,40	29,06	24,72	LZ23-1 9920023002

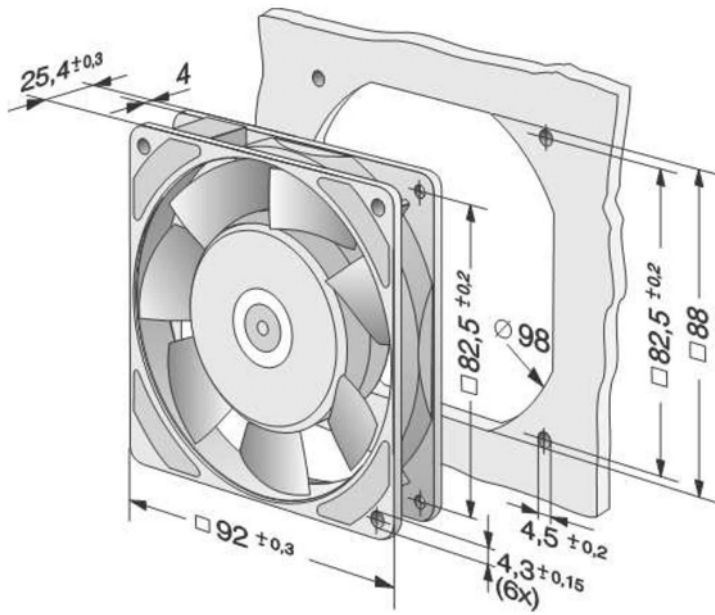
All prices are in euro, excluding VAT (BTW) Orders are shipped according to incoterms : DAP
 A handling fee of € 35,00 is added to every order with a total value of less than € 500,00 (net, excl. VAT)

[Download PDF datasheet](#)

Pressure over air flow rated Voltage



Specific drawing



92 x 92 x 38



Material : Rotor coated Black
Blades coated black steelplate
Direction of rotation Right CW seen on rotor
Number of blades: 5
Protection: IP20
Isolation: B
Mounting position: Free
Mode of operation: Continuous S1
Bearings Maintenance free bearings
Motorprotection Impedance protected
Cable 310 mm
Norm IEC 60038

Nominal data	Voltage	Frequency	Air flow	Speed	Power consumption	Bearing	Sound pressure level	Service life 40 C	Service life at T max	Perm. amb. temp.	Weight
Type	VAC	Hz	m3/h	rpm	W		dB (A)	Hrs	Hrs	C	kg
3656 / 9244014700	230	50/60	75	2700	12	Ball	37	52500	22500	-40..75	0,5

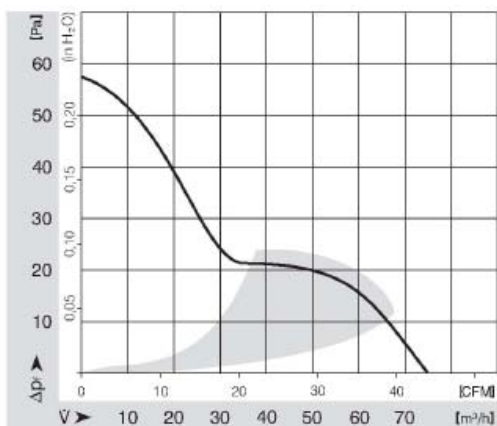
Note : fans used at 60Hz have slightly more air performance

Pricing	Quantities			Accessories
	1	5-9	10>	
Product Code				Grill
3656 / 9244014700	48,70	42,37	36,04	LZ23-1 9920023002

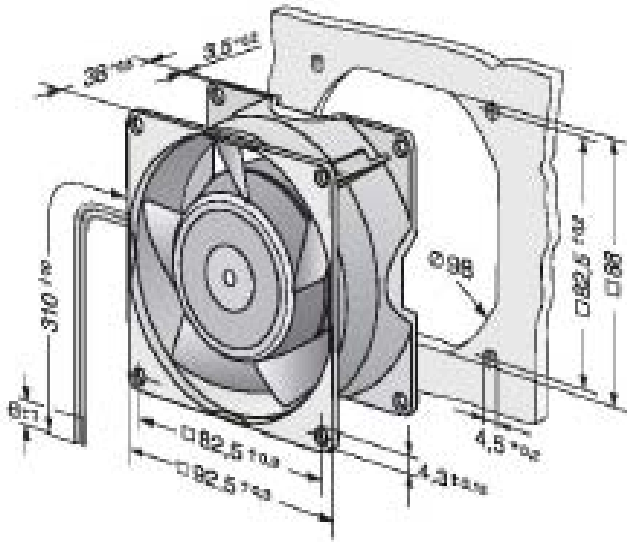
All prices are in euro, excluding VAT (BTW) Orders are shipped according to incoterms : DAP
A handling fee of € 35,00 is added to every order with a total value of less than € 500,00 (net, excl. VAT)

[Download PDF datasheet](#)

Pressure over air flow rated Voltage



Specific drawing



119 x 119 x 25



Material : Rotor coated Black Pa6
Blades coated black reinforced PA6

Direction of rotation: Right CCW seen on rotor

Number of blades: 7

Protection: IP20

Isolation: B

Mounting position: Free

Mode of operation: Continuous S1

Bearings: Maintenance free bearings

Motorprotection: Impedance protected

Cable: Terminal on housing 2,8 x 0,5 mm

Norm: IEC 60038

Nominal data	Voltage	Frequency	Air flow	Speed	Power consumption	Bearing	Sound pressure level	Service life 40 C	Service life at T max	Perm. amb. temp.	Weight
Type	VAC	Hz	m3/h	rpm	W		dB (A)	Hrs	Hrs	C	kg
9956 / 9282708001	230	50/60	117	2450	14	Ball	37	47500	22500	-40..70	0,3

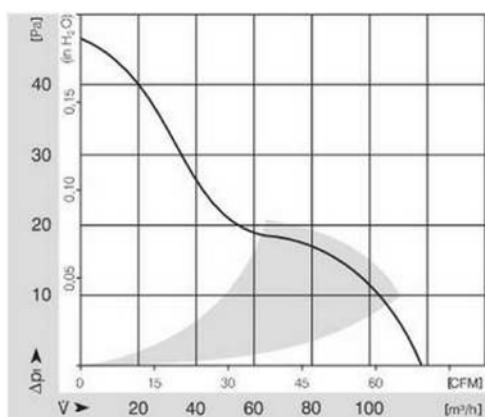
Note : fans used at 60Hz have slightly more air performance

Pricing	Quantities			Accessories
	1	5-9	10>	
Product Code				Grill
9956 / 9282708001	33,80	29,41	25,01	LZ30-4 9920030004

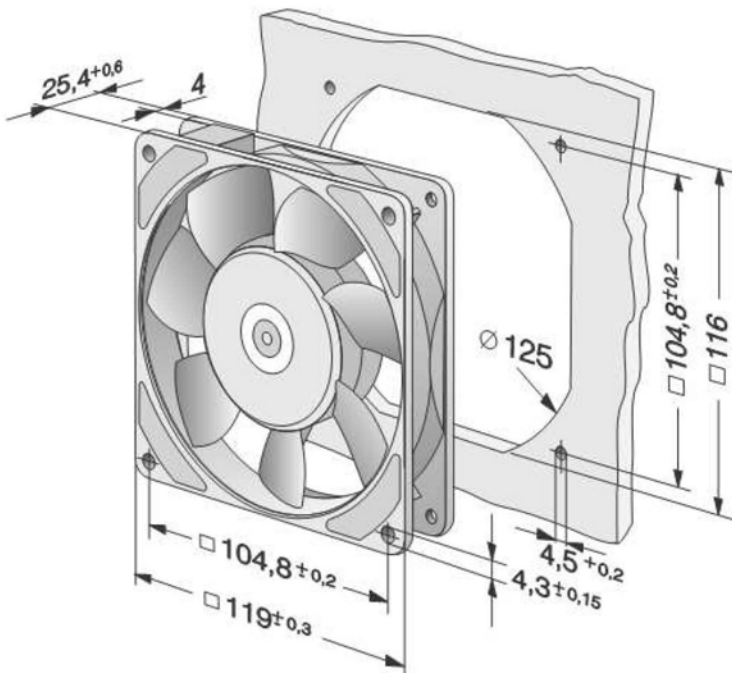
All prices are in euro, excluding VAT (BTW) Orders are shipped according to incoterms : DAP
A handling fee of € 35,00 is added to every order with a total value of less than € 500,00 (net, excl. VAT)

[Download PDF datasheet](#)

Pressure over air flow rated Voltage



Specific drawing



119 x 119 x 38



Material :	Rotor coated Black Blades coated black steelplate
Direction of rotation	Right CW seen on rotor
Number of blades:	5
Protection:	IP20
Isolation:	B
Mounting position:	Free
Mode of operation:	Continuous S1
Bearings	Maintenance free bearings
Motorprotection	Impedance protected
Cable	Terminal on housing 3,0 x 0,5 mm
Norm	IEC 60038

Please Check our Energy saving alternative on Pag 138

Nominal data	Voltage	Frequency	Air flow	Speed	Power consumption	Bearing	Sound pressure level	Service life 40 C	Service life at T max	Perm. amb. temp.	Weight
Type	VAC	Hz	m3/h	rpm	W		dB (A)	Hrs	Hrs	C	kg
4550 / 9244014115	230	50/60	145	2550	16,5	sleeve	44	42500	30000	-10..55	0,5

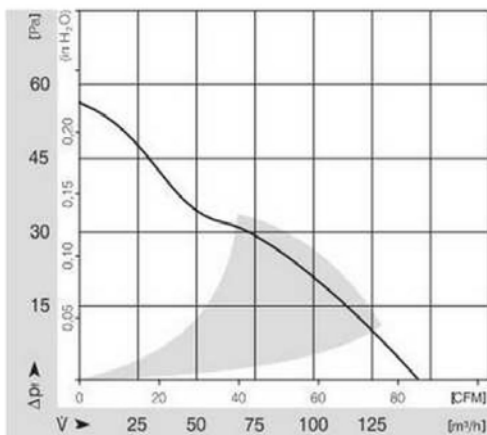
Note : fans used at 60Hz have slightly more air performance

Pricing	Quantities			Accessories
	1	5-9	10>	
Product Code				Grill
4550 / 9244014115	33,50	29,15	24,79	LZ30-4 9920030004

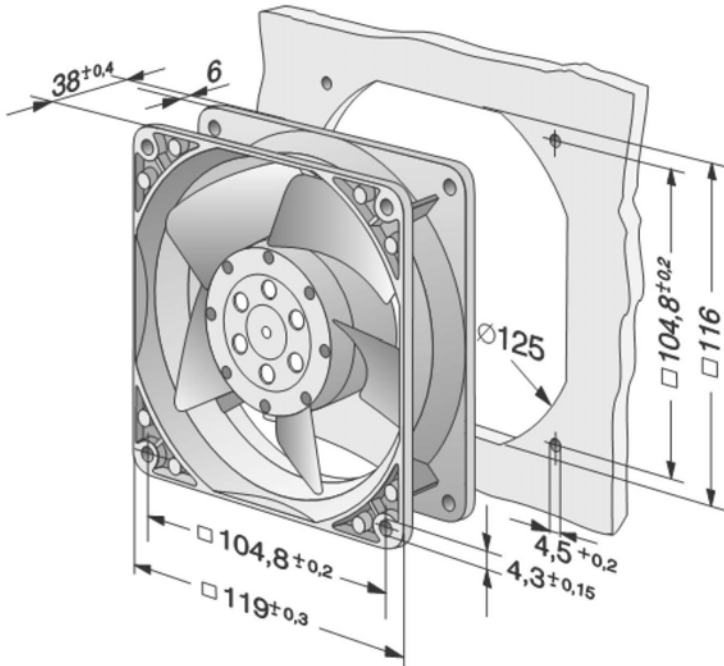
All prices are in euro, excluding VAT (BTW) Orders are shipped according to incoterms : DAP
A handling fee of € 35,00 is added to every order with a total value of less than € 500,00 (net, excl. VAT)

[Download PDF datasheet](#)

Pressure over air flow rated Voltage



Specific drawing



119 x 119 x 38



Material : Rotor coated Black
Blades coated black steelplate
Direction of rotation: Right CW seen on rotor
Number of blades: 5
Protection: IP20
Isolation: B
Mounting position: Free
Mode of operation: Continuous S1
Bearings: Maintenance free bearings
Motorprotection: Impedance protected
Cable: Terminal on housing 3,0 x 0,5 mm
Norm: IEC 60038

Please Check our Energy saving alternative on Pag 138

Nominal data	Voltage	Frequency	Air flow	Speed	Power consumption	Bearing	Sound pressure level	Service life 40 C	Service life at T max	Perm. amb. temp.	Weight
Type	VAC	Hz	m3/h	rpm	W		dB (A)	Hrs	Hrs	C	kg
4656N / 9274014139	230	50/60	160	2650	19	Ball	47	37500	15000	-40..85	0,5

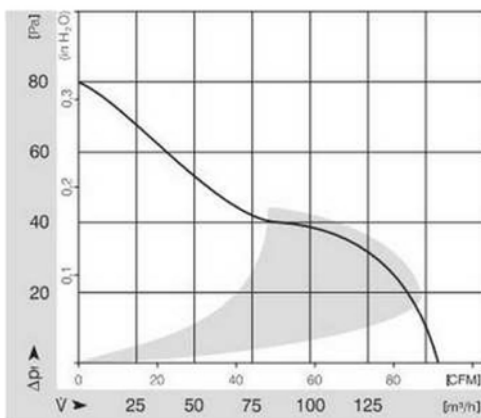
Note : fans used at 60Hz have slightly more air performance

Pricing	Quantities			Accessories
	1	5-9	10>	Grill
4656N / 9274014139	29,40	25,60	21,80	LZ30-4 992003004

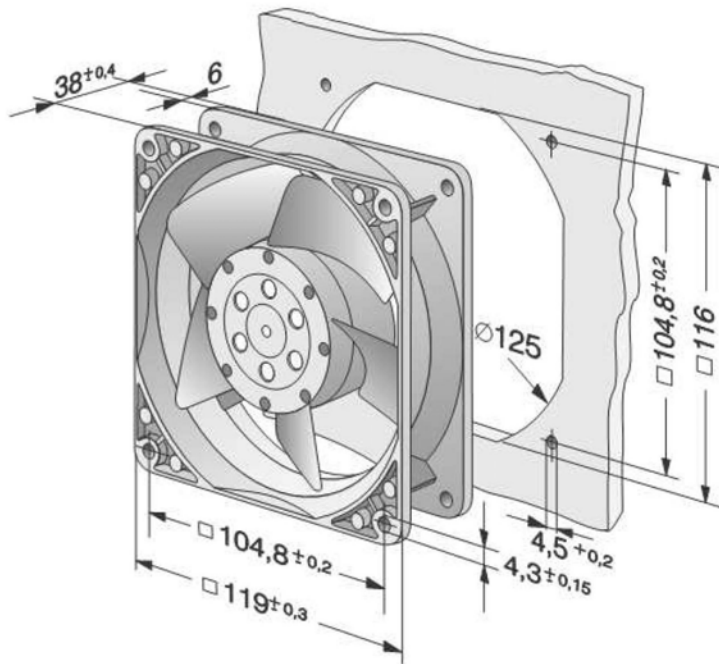
All prices are in euro, excluding VAT (BTW) Orders are shipped according to incoterms : DAP
A handling fee of € 35,00 is added to every order with a total value of less than € 500,00 (net, excl. VAT)

[Download PDF datasheet](#)

Pressure over air flow rated Voltage



Specific drawing



119 x 119 x 38



Material : Rotor coated Black
Blades coated black steelplate
Direction of rotation: Right CW seen on rotor
Number of blades: 5
Protection: IP20
Isolation: B
Mounting position: Free
Mode of operation: Continuous S1
Bearings: Maintenance free bearings
Motorprotection: Impedance protected
Cable: Terminal on housing
Norm: IEC 60038

Please Check our Energy saving alternative on Pag 138

Nominal data	Voltage	Frequency	Air flow	Speed	Power consumption	Bearing	Sound pressure level	Service life 40 C	Service life at T max	Perm. amb. temp.	Weight
Type	VAC	Hz	m3/h	rpm	W		dB (A)	Hrs	Hrs	C	kg
4656 Z 853 / 9274014853	230	50/60	160	2700	19	Ball	40	37500	17500	-40..75	0,5

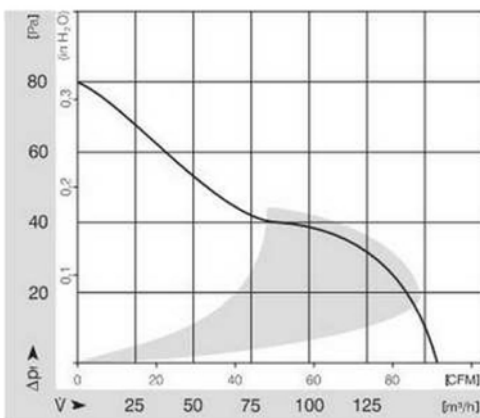
Note : fans used at 60Hz have slightly more air performance

Pricing	Quantities			Accessories
	1	5-9	10>	
Product Code				Grill
4656 Z 853 / 9274014853	39,60	34,45	29,30	LZ30-4 9920030004

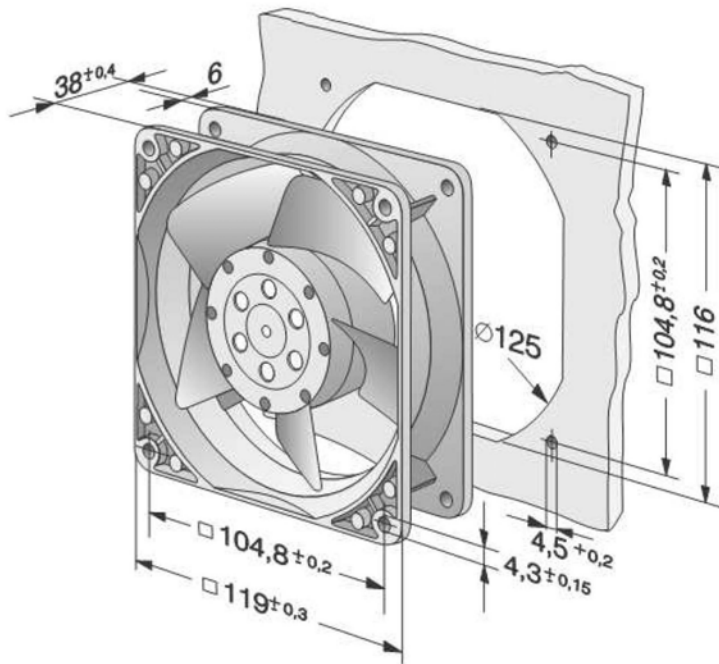
All prices are in euro, excluding VAT (BTW) Orders are shipped according to incoterms : DAP
A handling fee of € 35,00 is added to every order with a total value of less than € 500,00 (net, excl. VAT)

[Download PDF datasheet](#)

Pressure over air flow rated Voltage



Specific drawing



119 x 119 x 38



Material : Rotor coated Black
 Blades coated black steelplate
 Direction of rotation : Right CW seen on rotor
 Number of blades: 5
 Protection: IP20
 Isolation: B
 Mounting position: Free
 Mode of operation: Continuous S1
 Bearings : Maintenance free bearings
 Motorprotection : Impedance protected
 Cable : Terminal on housing 3,0 x 0,5 mm
 Norm : IEC 60038

Please Check our Energy saving alternative on Pag 138

Nominal data	Voltage	Frequency	Air flow	Speed	Power consumption	Bearing	Sound pressure level	Service life 40 C	Service life at T max	Perm. amb. temp.	Weight
Type	VAC	Hz	m3/h	rpm	W		dB (A)	Hrs	Hrs	C	kg
4606 N / 9274014147	115	50/60	180	2700	18	Ball	51	40000	15000	-40..90	0,5

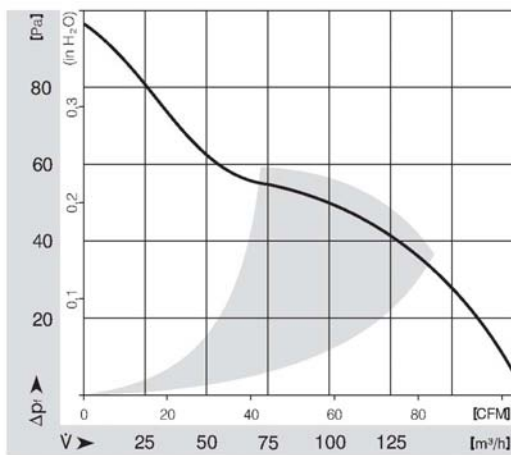
Note : fans used at 60Hz have slightly more air performance

Pricing	Quantities			Accessories	
	1	5-9	10>	Grill	
Product Code	4606 N / 9274014147	29,40	25,60	21,80	LZ30-4 9920030004

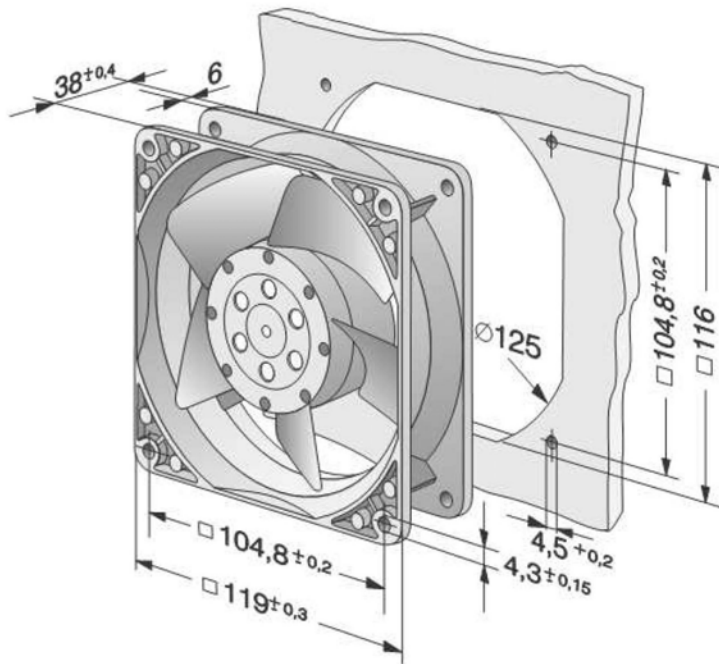
All prices are in euro, excluding VAT (BTW) Orders are shipped according to incoterms : DAP
 A handling fee of € 35,00 is added to every order with a total value of less than € 500,00 (net, excl. VAT)

[Download PDF datasheet](#)

Pressure over air flow rated Voltage



Specific drawing





Material : Rotor PA6
Blades PA6

Direction of rotation : Right CW seen on rotor

Number of blades: 5

Protection: IP20

Isolation: B

Mounting position: Free

Mode of operation: Continuous S1

Bearings : Maintenance free bearings

Motorprotection : Locked rotor

Cable : Terminals 2,8 x 0,5 mm

Norm : IEC 60038

Nominal data		Voltage	Frequency	Air flow	Speed	Power consumption	Bearing	Sound pressure level	Service life 40 C	Service life at T max	Perm. amb. temp.	Weight
Type	Motor	VAC	Hz	m3/h	rpm	W	A	dB (A)	Hrs	Hrs	C	kg
ACi4420HH / 9203509001		195-265	50/60	180	3350	4,4	Ball	42	62500	30000	-20..75	0,25

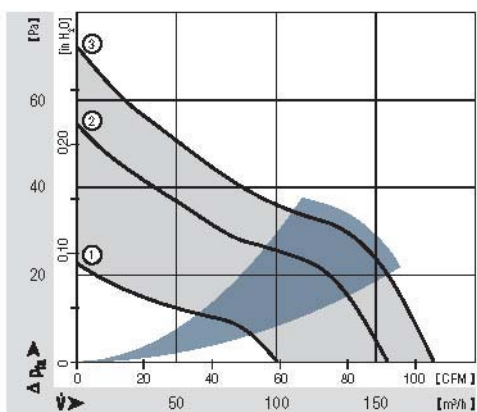
Note : fans used at 60Hz have slightly more air performance

Pricing	Quantities			Accessories
	1	5-9	10>	
Product Code				Grill
ACi4420HH / 9203509001	42,00	36,50	31,10	LZ 30-4 / 992003004

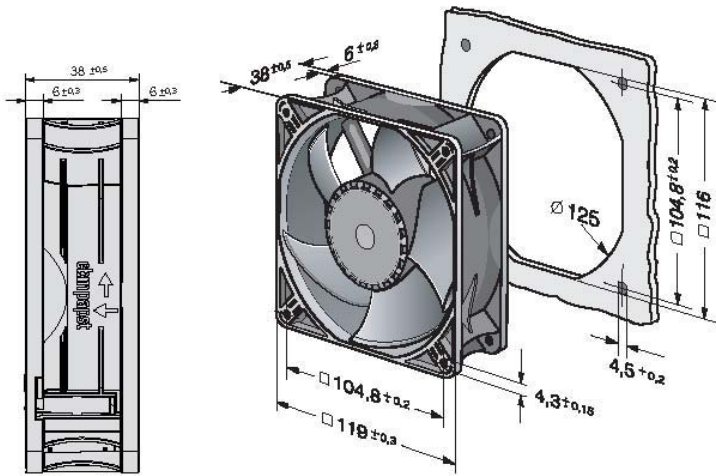
All prices are in euro, excluding VAT (BTW) Orders are shipped according to incoterms : DAP
A handling fee of € 35,00 is added to every order with a total value of less than € 500,00 (net, excl. VAT)

[Download PDF datasheet](#)

Pressure over air flow rated Voltage



Specific drawing



127 x 127 x 38



Material : Rotor coated Black
 Blades coated black steelplate
 Direction of rotation: Right CCW seen on rotor
 Number of blades: 7
 Protection: IP20
 Isolation: B
 Mounting position: Free
 Mode of operation: Continuous S1
 Bearings: Maintenance free bearings
 Motorprotection: Impedance protected
 Cable: Terminal on housing 2,8 x 0,8 mm
 Norm: IEC 60038

Nominal data	Voltage	Frequency	Air flow	Speed	Power consumption	Bearing	Sound pressure level	Service life 40 C	Service life at T max	Perm. amb. temp.	Weight
Type	VAC	Hz	m3/h	rpm	W		dB (A)	Hrs	Hrs	C	kg
5958 / 9283118300	230	50/60	180	2700	18	Ball	44	40000	25000	-30..60	0,57

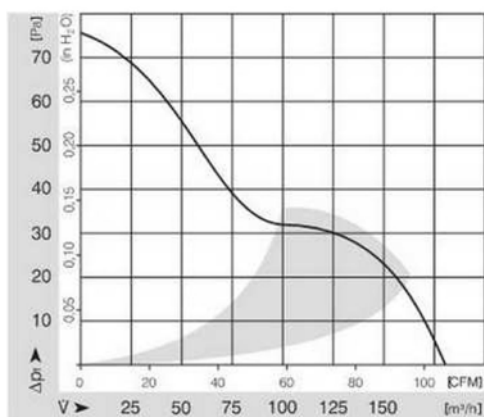
Note : fans used at 60Hz have slightly more air performance

Pricing	Quantities			Accessories	
	1	5-9	10>	Grill	
Product Code	5958 / 9283118300	45,40	39,50	33,60	LZ 35 9920035000

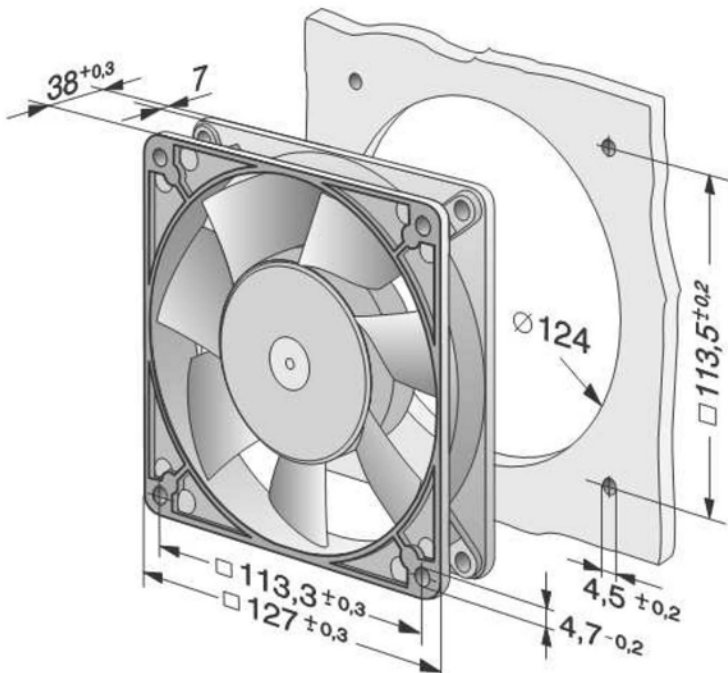
All prices are in euro, excluding VAT (BTW) Orders are shipped according to incoterms : DAP
 A handling fee of € 35,00 is added to every order with a total value of less than € 500,00 (net, excl. VAT)

[Download PDF datasheet](#)

Pressure over air flow rated Voltage



Specific drawing



135 x 135 x 38



Material : Rotor coated Black
 Blades coated black steelplate
 Direction of rotation: Right CW seen on rotor
 Number of blades: 7
 Protection: IP20
 Isolation: B
 Mounting position: Free
 Mode of operation: Continuous S1
 Bearings: Maintenance free bearings
 Motorprotection: Impedance protected
 Cable: Terminal on housing 2,8 x 0,5 mm
 Norm: IEC 60038

Nominal data	Voltage	Frequency	Air flow	Speed	Power consumption	Bearing	Sound pressure level	Service life 40 C	Service life at T max	Perm. amb. temp.	Weight
Type	VAC	Hz	m3/h	rpm	W		dB (A)	Hrs	Hrs	C	kg
5656 S / 9245012001	230	50/60	235	2700	30	Ball	46	45000	20000	-35..70	0,5

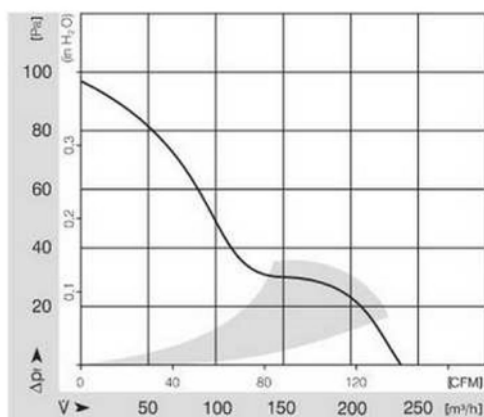
Note : fans used at 60Hz have slightly more air performance

Pricing	Quantities			Accessories
	1	5-9	10>	Grill
5656 S / 9245012001	74,90	65,16	55,43	LZ35 9920035000

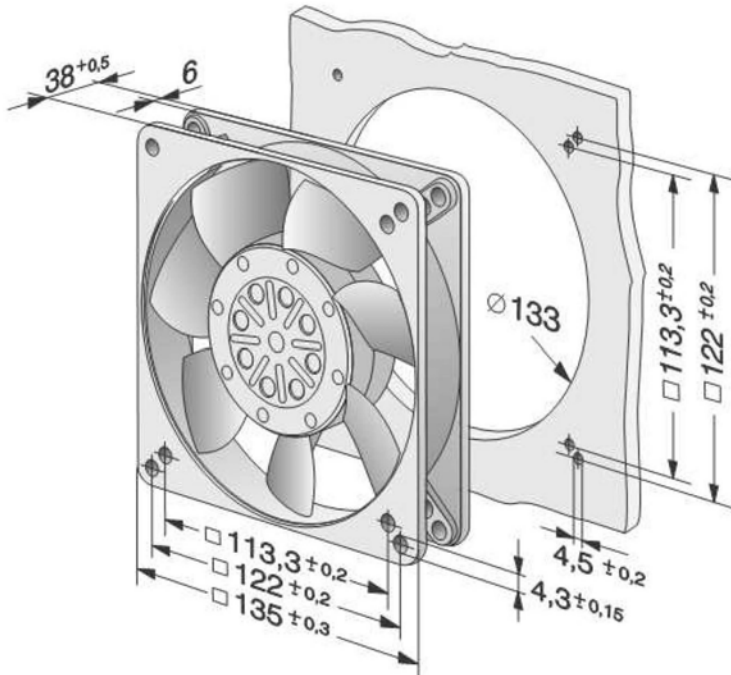
All prices are in euro, excluding VAT (BTW) Orders are shipped according to incoterms : DAP
 A handling fee of € 35,00 is added to every order with a total value of less than € 500,00 (net, excl. VAT)

[Download PDF datasheet](#)

Pressure over air flow rated Voltage



Specific drawing



150 x 172 x 38



Material : Rotor coated Black
 Blades coated black steelplate
 Direction of rotation: right CW seen on rotor
 Number of blades: 7
 Protection: IP20
 Isolation: B
 Mounting position: Free
 Mode of operation: Continuous S1
 Bearings: Maintenance free bearings
 Motorprotection: Impedance protected
 Cable: Terminal on housing 2,8 x 0,5 mm
 Norm: IEC 60038

Nominal data	Voltage	Frequency	Air flow	Speed	Power consumption	Bearing	Sound pressure level	Service life 40 C	Service life at T max	Perm. amb. temp.	Weight
Type	VAC	Hz	m3/h	rpm	W		dB (A)	Hrs	Hrs	C	kg
7056 ES / W2E142BB0101	230	50/60	320	2800	27	Ball	51	60000	32000	-25..55	0,9

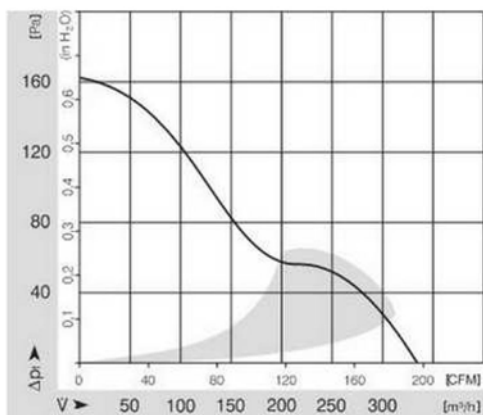
Note : fans used at 60Hz have slightly more air performance

Pricing	Quantities			Accessories
	1	5-9	10>	
Product Code				Grill
7056 ES / W2E142BB0101	84,00	73,10	62,10	LZ 36 9920036000

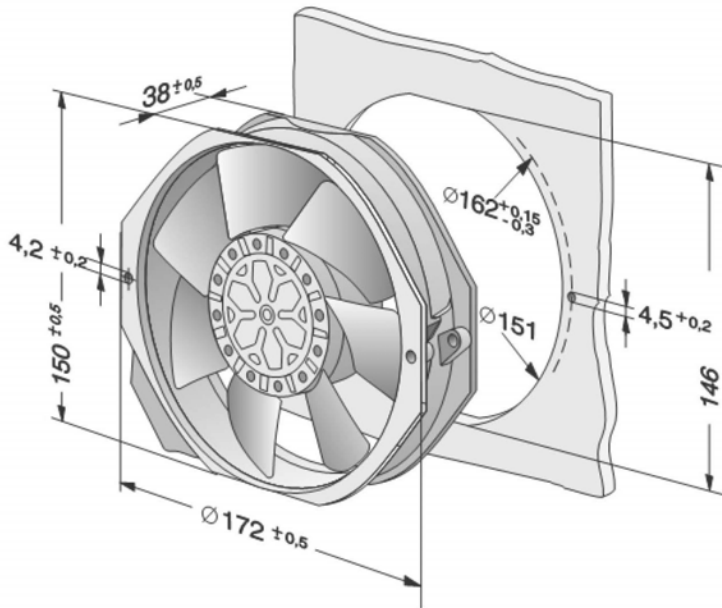
All prices are in euro, excluding VAT (BTW) Orders are shipped according to incoterms : DAP
 A handling fee of € 35,00 is added to every order with a total value of less than € 500,00 (net, excl. VAT)

[Download PDF datasheet](#)

Pressure over air flow rated Voltage



Specific drawing



150 Ø x 55



Material : Rotor coated Black
 Blades coated black steelplate
 Direction of rotation Right CCW seen on rotor
 Number of blades: 7
 Protection: IP20
 Isolation: B
 Mounting position: Free
 Mode of operation: Continuous S1
 Bearings Maintenance free bearings
 Motorprotection Impedance protected
 Cable 310 mm wire
 Norm IEC 60038

Nominal data	Voltage	Frequency	Air flow	Speed	Power consumption	Bearing	Sound pressure level	Service life 40 C	Service life at T max	Perm. amb. temp.	Weight
Type	VAC	Hz	m3/h	rpm	W		dB (A)	Hrs	Hrs	C	kg
7855 ES / W2S130AA0301	230	50/60	325	2800	45	Ball	49	60000	23000	-25..70	1,1

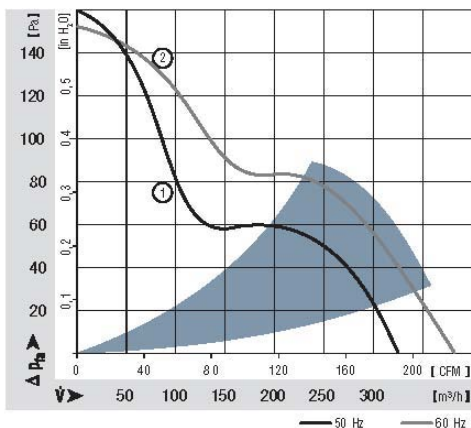
Note : fans used at 60Hz have slightly more air performance

Pricing	Quantities			Accessories
	1	5-9	10>	
Product Code				Grill
7855 ES / W2S130AA0301	74,30	64,70	55,00	LZ36 9920036000

All prices are in euro, excluding VAT (BTW) Orders are shipped according to incoterms : DAP
 A handling fee of € 35,00 is added to every order with a total value of less than € 500,00 (net, excl. VAT)

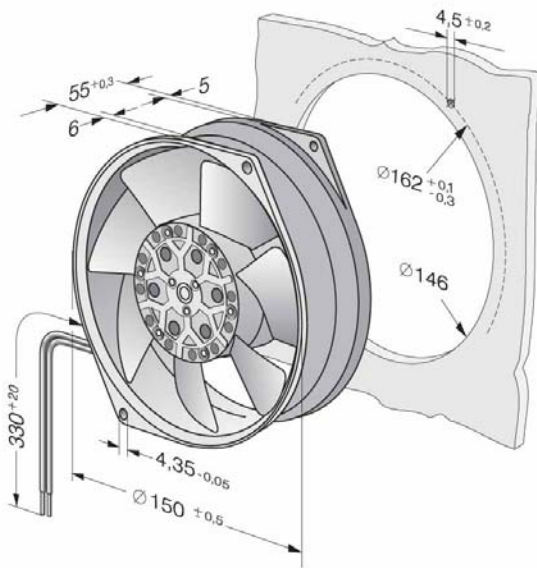
[Download PDF datasheet](#)

Pressure over air flow rated Voltage



Use curve 1

Specific drawing



150 Ø x 55



Material : Rotor coated Black
 Blades coated black steelplate
 Direction of rotation: Right CCW seen on rotor
 Number of blades: 7
 Protection: IP20
 Isolation: B
 Mounting position: Free
 Mode of operation: Continuous S1
 Bearings: Maintenance free bearings
 Motorprotection: Impedance protected
 Cable: 330 mm wire
 Norm: IEC 60038

Nominal data	Voltage	Frequency	Air flow	Speed	Power consumption	Bearing	Sound pressure level	Service life 40 C	Service life at T max	Perm. amb. temp.	Weight
Type	VAC	Hz	m3/h	rpm	W		dB (A)	Hrs	Hrs	C	kg
7450 ES / 9275220001	230	50/60	380	2700	47	Ball	60	63000	50000	-25..50	1.1

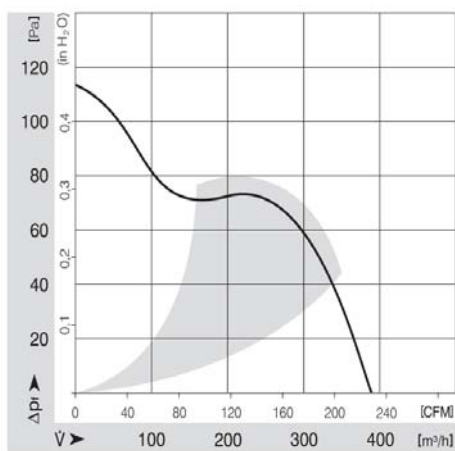
Note : fans used at 60Hz have slightly more air performance

Pricing	Quantities			Accessories
	1	5-9	10>	
Product Code				Grill
7450 ES / 9275220001	84,90	73,86	62,83	LZ36 9920036000

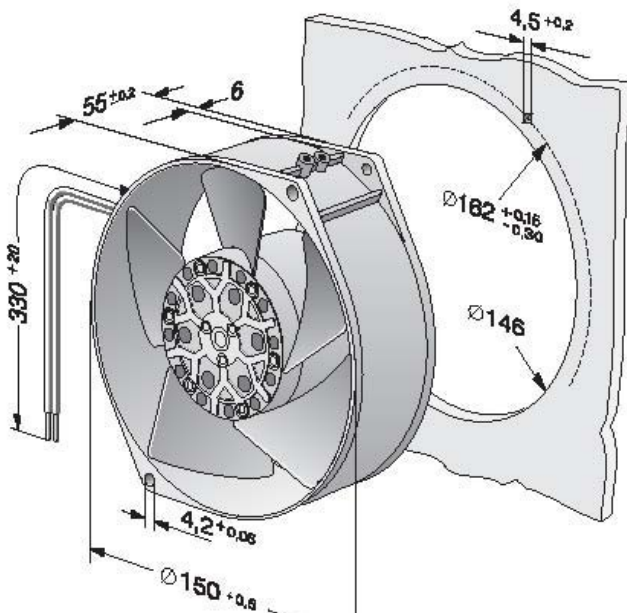
All prices are in euro, excluding VAT (BTW) Orders are shipped according to incoterms : DAP
 A handling fee of € 35,00 is added to every order with a total value of less than € 500,00 (net, excl. VAT)

[Download PDF datasheet](#)

Pressure over air flow rated Voltage



Specific drawing





Material : Rotor coated Black
Blades coated black steelplate

Direction of rotation Left CCW seen on rotor

Number of blades: 7

Protection: IP44

Isolation: B

Condensate discharges Rotor side

Mounting position: Free, Rotor on top on request

Mode of operation: Continuous S1

Bearings Maintenance free ball bearings

Motorprotection Integrated temperature switches

Cable No terminal mounting on housing

Norm EN 60335-1

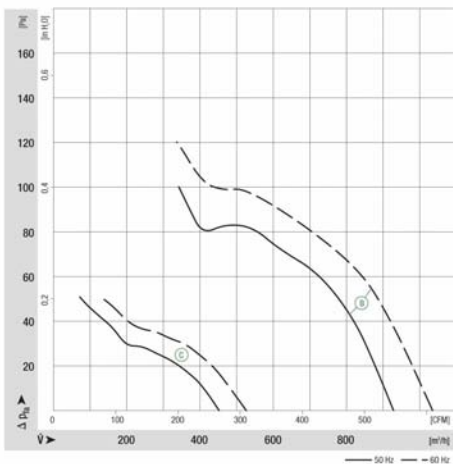
Nominal data		Voltage	Frequency	Air flow	Speed	Power consumption	Current draw	Capacitor capacity	Sound pressure level	Min. back pressure	Perm. amb. temp.	Weight
Type	Motor	VAC	Hz	m3/h	rpm	W	A	uF/V	dB (A)	Pa	C	kg
W2E200-HK38-01	M2E068BF	230	50	880	2500	80	0,29	1,5/450	59	-	-40..80	2,1
Subject to modification												

Pricing	Quantities			Accessories	Prices			
	1	5-9	10>	Grill	1-4	5-9	10>	Capacitor
Product Code	1	5-9	10>	Grill	1-4	5-9	10>	Capacitor
W2E200-HK38-01	121,20	105,40	89,60	78128-2-4039	10,70	9,20	8,30	Integrated

All prices are in euro, excluding VAT (BTW) Orders are shipped according to incoterms : DAP
A handling fee of € 35,00 is added to every order with a total value of less than € 500,00 (net, excl. VAT)

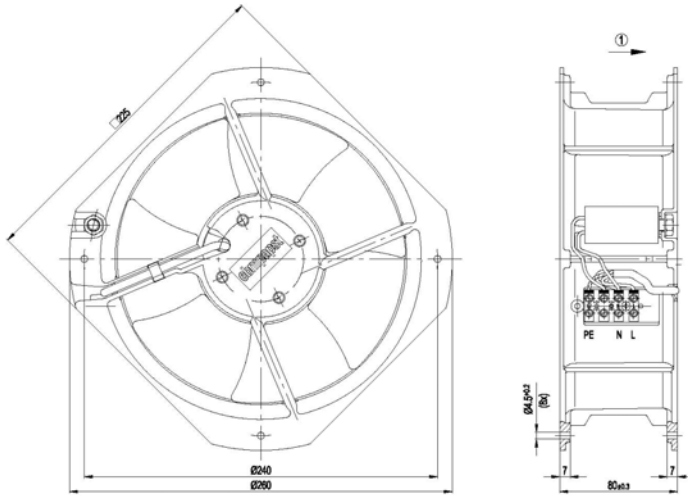
[Download PDF datasheet](#)

Pressure over air flow at 50Hz

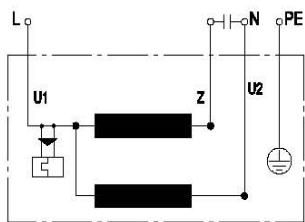


See curve B

Drawing



Connection illustration



U1	blue	Z	brown	U2	black
PE	green/yellow				



Material : Rotor coated Black
Blades coated black steelplate

Direction of rotation Left CCW seen on rotor

Number of blades: 7

Protection: IP44

Isolation: F

Condensate discharges Rotor side

Mounting position: Free, Rotor on top on request

Mode of operation: Continuous S1

Bearings Maintenance free ball bearings

Motorprotection Integrated temperature switches

Cable No terminal mounting on housing

Norm EN 60335-1

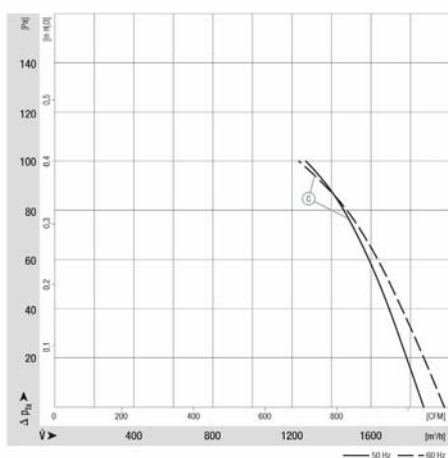
Nominal data		Voltage	Frequency	Air flow	Speed	Power consumption	Current draw	Capacitor capacity	Sound pressure level	Min. back pressure	Perm. amb. temp.	Weight
Type	Motor	VAC	Hz	m3/h	rpm	W	A	uF/V	dB (A)	Pa	C	kg
W2E250-HL06-01	M2E068CF	230	50	1865	2550	127	0,56	4/400	69	-	-25..60	2,0
Subject to modification												

Pricing	Quantities			Accessories	Prices				
	Product Code	1	5-9		10>	Grill	1-4	5-9	10>
	W2E250-HL06-01	153,70	133,70	113,60	09418-2-4039	16,80	14,60	13,10	Integrated

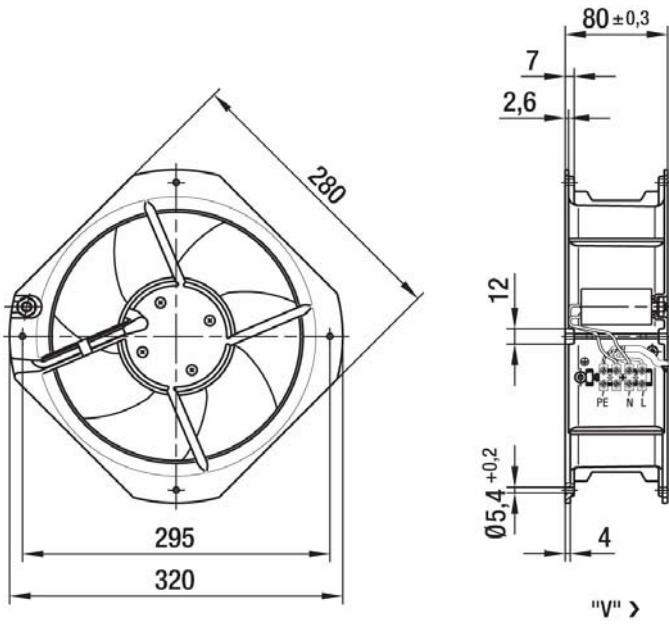
All prices are in euro, excluding VAT (BTW) Orders are shipped according to incoterms : DAP
A handling fee of € 35,00 is added to every order with a total value of less than € 500,00 (net, excl. VAT)

[Download PDF datasheet](#)

Pressure over air flow at 50Hz



Drawing



40 x 40 x 20



Material : Glassfibre reinforced PA6
 Direction of rotation : Right CCW seen on rotor
 Number of blades: 5
 Protection: IP20
 Isolation: B
 Mounting position: Free
 Mode of operation: Continuous S1
 Bearings : Maintenance free bearings
 Motorprotection : Electronic protected
 Cable : Cable 310 mm
 Norm : IEC 60038

Nominal data	Voltage	Frequency	Air flow	Speed	Power consumption	Bearing	Sound pressure level	Service life 40 C	Service life at T max	Perm. amb. temp.	Weight
Type	VDC	Hz	m3/h	rpm	W		dB (A)	Hrs	Hrs	C	kg
412 / 9291708001	12	-	10	6000	0,9	sleeve	18	50000	20000	-20..70	0,03

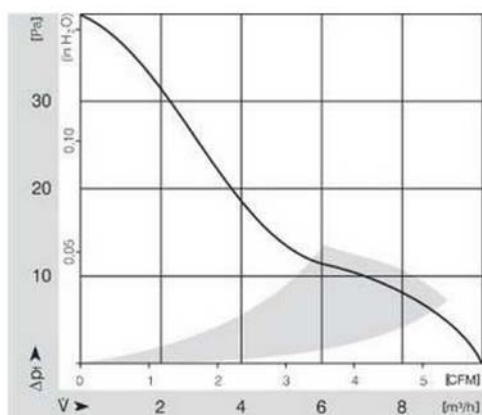
Note : fans used at 60Hz have slightly more air performance

Pricing	Quantities			Accessories
	1	5-9	10>	
Product Code				Grill
412 / 9291708001	20,90	18,18	15,47	LZ29-1 9920029001

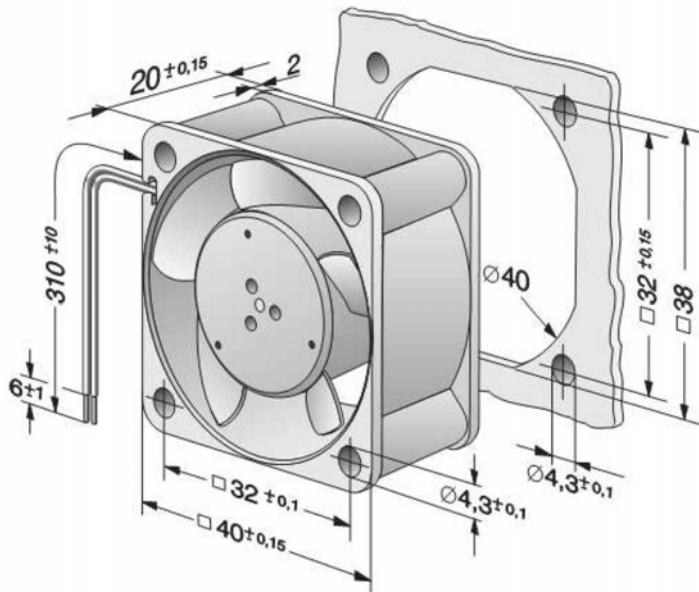
All prices are in euro, excluding VAT (BTW) Orders are shipped according to incoterms : DAP
 A handling fee of € 35,00 is added to every order with a total value of less than € 500,00 (net, excl. VAT)

[Download PDF datasheet](#)

Pressure over air flow rated Voltage



Specific drawing



40 x 40 x 20



Material : Glassfibre reinforced PA6
 Direction of rotation : Right CW seen on rotor
 Number of blades: 5
 Protection: IP20
 Isolation: B
 Mounting position: Free
 Mode of operation: Continuous S1
 Bearings : Maintenance free bearings
 Motorprotection : Electronic protected
 Cable : Cable 310 mm
 Norm : IEC 60038

Nominal data	Voltage	Frequency	Air flow	Speed	Power consumption	Bearing	Sound pressure level	Service life 40 C	Service life at T max	Perm. amb. temp.	Weight
Type	VDC	Hz	m3/h	rpm	W		dB (A)	Hrs	Hrs	C	kg
414 / 9291708002	24	-	10	6000	1,0	sleeve	18	50000	20000	-20..70	0,03

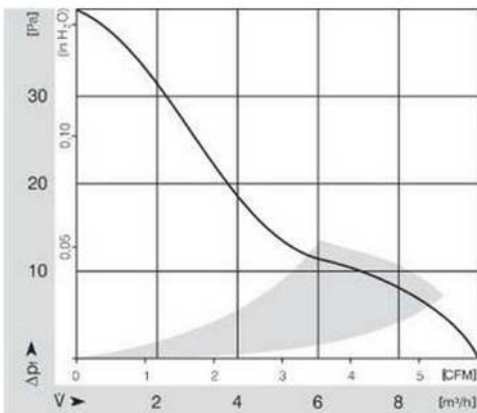
Note : fans used at 60Hz have slightly more air performance

Pricing	Quantities			Accessories
	1	5-9	10>	Grill
414 / 9291708002	20,90	18,18	15,47	LZ31 9920031000

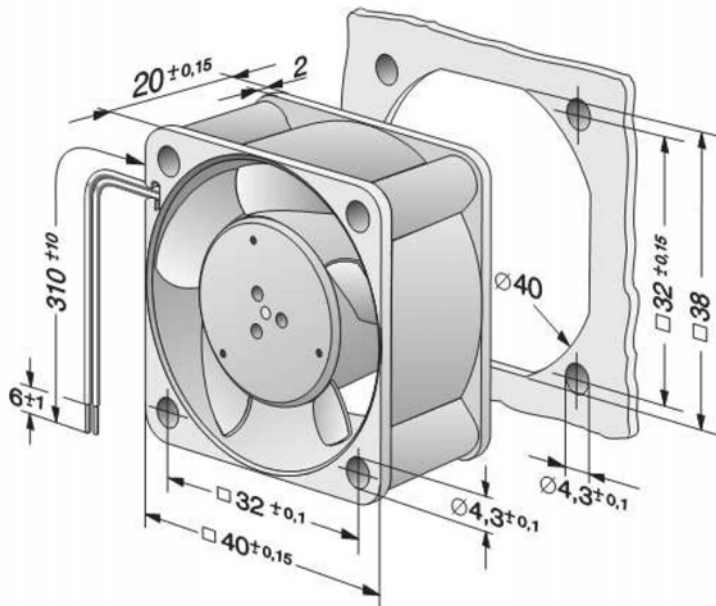
All prices are in euro, excluding VAT (BTW) Orders are shipped according to incoterms : DAP
 A handling fee of € 35,00 is added to every order with a total value of less than € 500,00 (net, excl. VAT)

[Download PDF datasheet](#)

Pressure over air flow rated Voltage



Specific drawing



40 x 40 x 25



Material :	Glassfibre reinforced PA6
Direction of rotation	Right CCW seen on rotor
Number of blades:	7
Protection:	IP20
Isolation:	B
Mounting position:	Free
Mode of operation:	Continuous S1
Bearings	Maintenance free bearings
Motorprotection	Electronic protected
Cable	Cable 310 mm
Norm	IEC 60038

Nominal data	Voltage	Frequency	Air flow	Speed	Power consumption	Bearing	Sound pressure level	Service life 40 C	Service life at T max	Perm. amb. temp.	Weight
Type	VDC	Hz	m3/h	rpm	W		dB (A)	Hrs	Hrs	C	kg
422J/2HP / 9291908001	12	-	40	14400	7,9	ball	58	60000	30000	-20..70	0,04

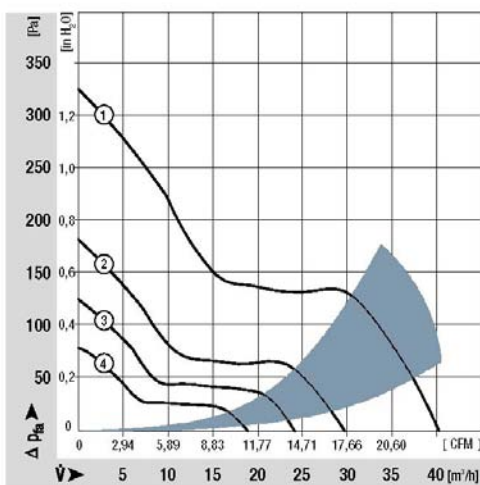
Note : fans used at 60Hz have slightly more air performance

Pricing	Quantities			Accessories
	1	5-9	10>	Grill
422J/2HP / 9291908001	18,40	16,00	13,60	LZ31 9920031000

All prices are in euro, excluding VAT (BTW) Orders are shipped according to incoterms : DAP
 A handling fee of € 35,00 is added to every order with a total value of less than € 500,00 (net, excl. VAT)

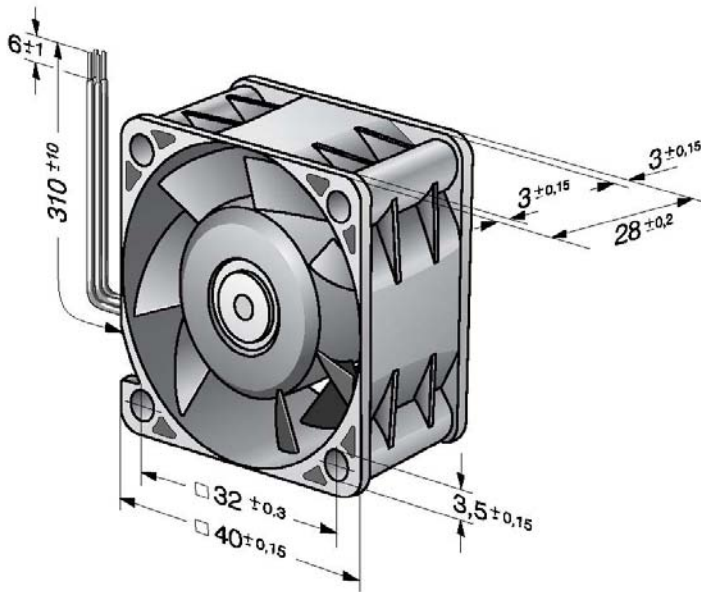
[Download PDF datasheet](#)

Pressure over air flow rated Voltage



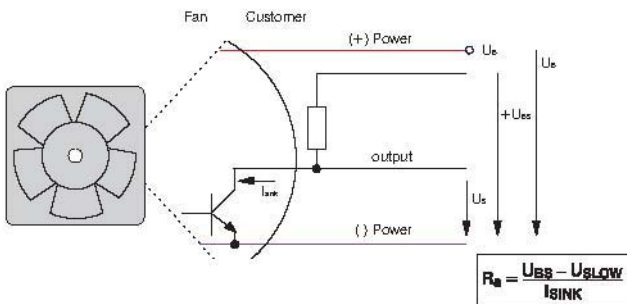
Use curve 1

Specific drawing



Connection illustration

Electrical connection



All voltages measured to ground.
External load resistance R_a / U_s / U_{es} required.

60 x 60 x 25



Material : Glassfibre reinforced PA6
 Direction of rotation : Right CW seen on rotor
 Number of blades: 5
 Protection: IP20
 Isolation: B
 Mounting position: Free
 Mode of operation: Continuous S1
 Bearings : Maintenance free bearings
 Motorprotection : Electronic protected
 Cable : Cable 310 mm
 Norm : IEC 60038

Nominal data	Voltage	Frequency	Air flow	Speed	Power consumption	Bearing	Sound pressure level	Service life 40 C	Service life at T max	Perm. amb. temp.	Weight
Type	VDC	Hz	m3/h	rpm	W		dB (A)	Hrs	Hrs	C	kg
612NGMLE / 9292206172	12	-	25	3000	0,7	sleeve	19	80000	32500	-20..80	0,07

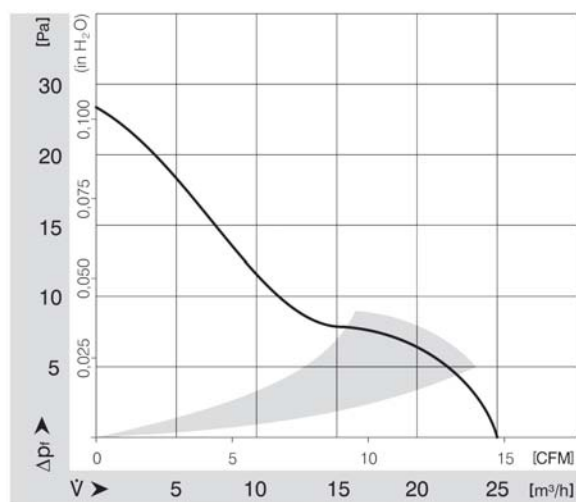
Note : fans used at 60Hz have slightly more air performance

Pricing	Quantities			Accessories
	1	5-9	10>	
Product Code				Grill
612NGMLE / 9292206172	18,10	15,75	13,39	LZ28-1 9920028001

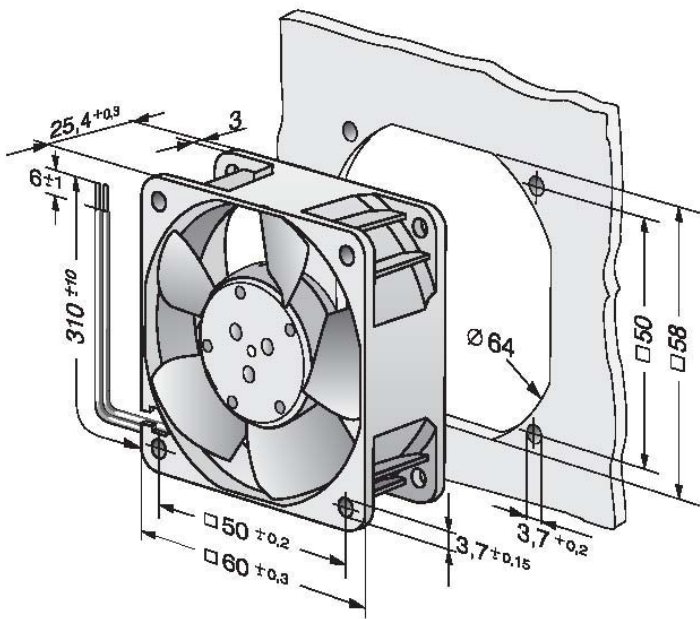
All prices are in euro, excluding VAT (BTW) Orders are shipped according to incoterms : DAP
 A handling fee of € 35,00 is added to every order with a total value of less than € 500,00 (net, excl. VAT)

[Download PDF datasheet](#)

Pressure over air flow rated Voltage



Specific drawing



Connection illustration

60 x 60 x 25



Material :	Glassfibre reinforced PA6
Direction of rotation	Right CW seen on rotor
Number of blades:	5
Protection:	IP20
Isolation:	B
Mounting position:	Free
Mode of operation:	Continuous S1
Bearings	Maintenance free bearings
Motorprotection	Electronic protected
Cable	Cable 310 mm
Norm	IEC 60038

Nominal data	Voltage	Frequency	Air flow	Speed	Power consumption	Bearing	Sound pressure level	Service life 40 C	Service life at T max	Perm. amb. temp.	Weight
Type	VDC	Hz	m3/h	rpm	W		dB (A)	Hrs	Hrs	C	kg
622HH / 9292207006	12	-	56	8200	3,5	Ball	43	65000	32500	-20..70	0,09

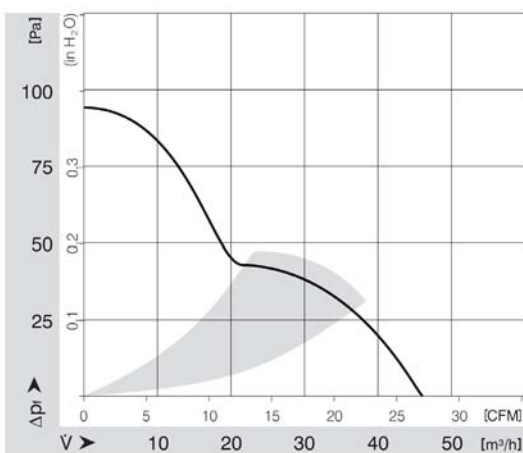
Note : fans used at 60Hz have slightly more air performance

Pricing	Quantities			Accessories
	1	5-9	10>	Grill
622HH / 9292207006	23,50	20,50	17,40	LZ 28-1 9920028001

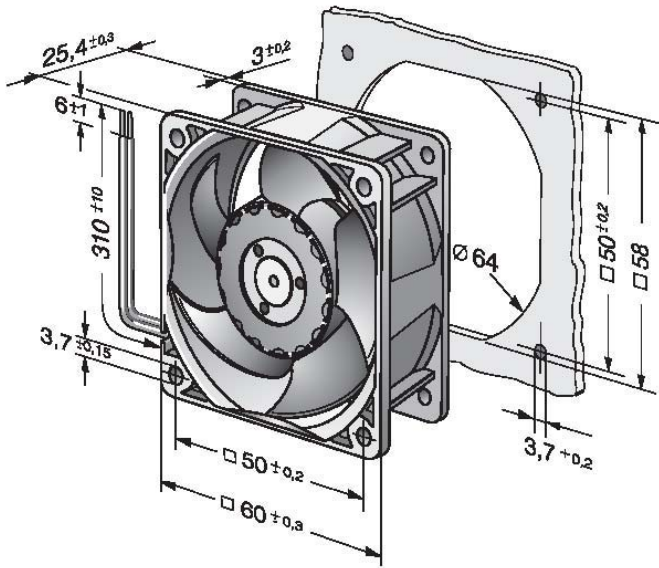
All prices are in euro, excluding VAT (BTW) Orders are shipped according to incoterms : DAP
 A handling fee of € 35,00 is added to every order with a total value of less than € 500,00 (net, excl. VAT)

[Download PDF datasheet](#)

Pressure over air flow rated Voltage



Specific drawing



Connection illustration

60 x 60 x 15



Material : Glassfibre reinforced PA6
 Direction of rotation : Right CCW seen on rotor
 Number of blades: 7
 Protection: IP20
 Isolation: B
 Mounting position: Free
 Mode of operation: Continuous S1
 Bearings : Maintenance free bearings
 Motorprotection : Electronic protected
 Cable : Cable 310 mm
 Norm : IEC 60038

Nominal data	Voltage	Frequency	Air flow	Speed	Power consumption	Bearing	Sound pressure level	Service life 40 C	Service life at T max	Perm. amb. temp.	Weight
Type	VDC	Hz	m3/h	rpm	W		dB (A)	Hrs	Hrs	C	kg
614F / 9291708612	24	-	29	3900	1,1	sleeve	27	50000	20000	-20..70	0,03

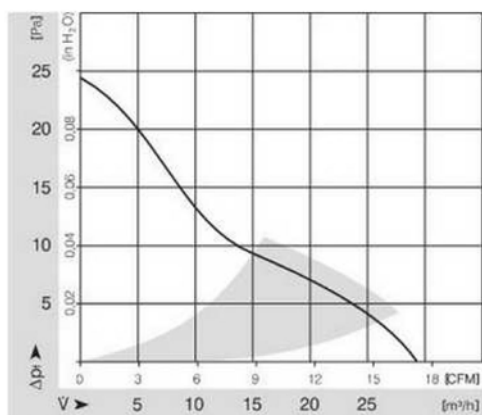
Note : fans used at 60Hz have slightly more air performance

Pricing	Quantities			Accessories
	1	5-9	10>	
Product Code				Grill
614F / 9291708612	22,00	19,14	16,28	LZ28-1 9920028001

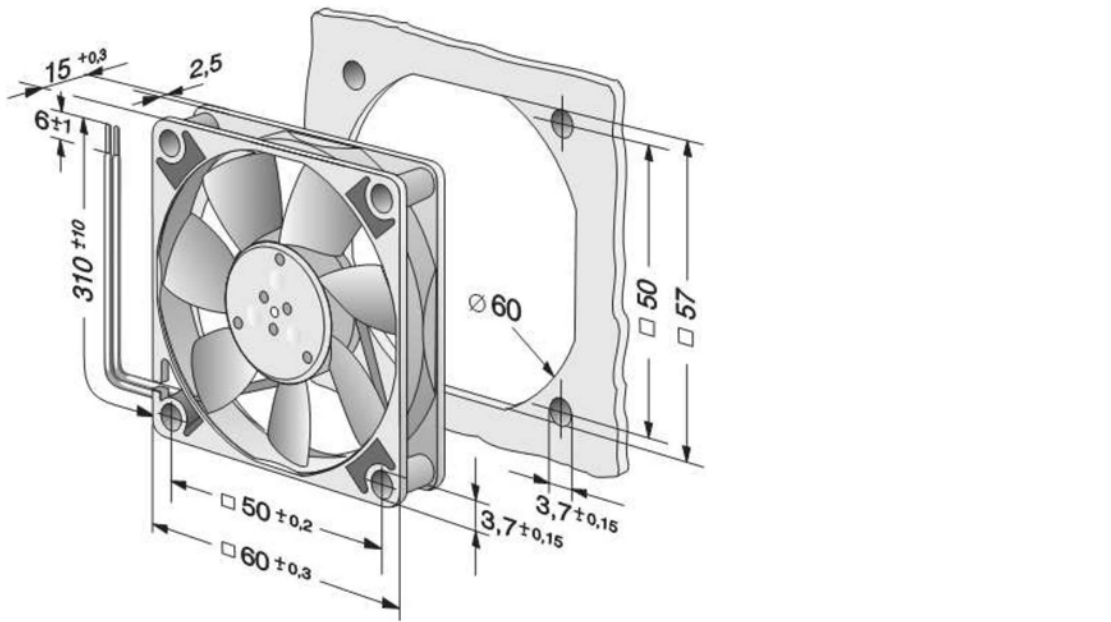
All prices are in euro, excluding VAT (BTW) Orders are shipped according to incoterms : DAP
 A handling fee of € 35,00 is added to every order with a total value of less than € 500,00 (net, excl. VAT)

[Download PDF datasheet](#)

Pressure over air flow rated Voltage



Specific drawing



Connection illustration

60 x 60 x 25



Material :
 Direction of rotation :
 Number of blades :
 Protection :
 Isolation :
 Mounting position :
 Mode of operation :
 Bearings :
 Motorprotection :
 Cable :
 Norm :

Housing : Glassfibre reinforced PA6
 Blades : Glassfibre reinforced PA6
 Right CW seen on rotor
 5
 IP20
 B
 Free
 Continuous S1
 Maintenance free bearings
 Electronic protected
 Cable 310 mm
 IEC 60038

Nominal data	Voltage	Frequency	Air flow	Speed	Power consumption	Bearing	Sound pressure level	Service life 40 C	Service life at T max	Perm. amb. temp.	Weight
Type	VDC	Hz	m3/h	rpm	W		dB (A)	Hrs	Hrs	C	kg
624N / 9292207008	24	-	40	6100	2,2	Ball	35	72500	35000	-20..70	0,09

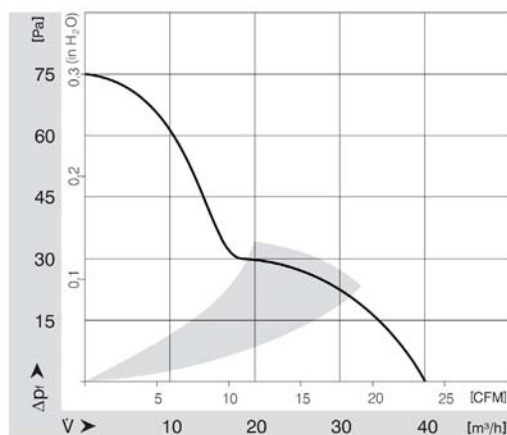
Note : fans used at 60Hz have slightly more air performance

Pricing	Quantities			Accessories
	1	5-9	10>	Grill
624N / 9292207008	27,00	23,49	19,98	LZ28-1 9920028001

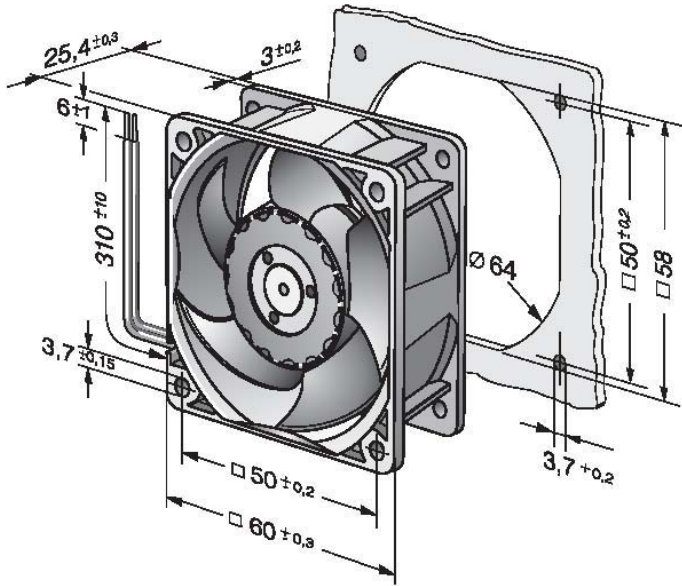
All prices are in euro, excluding VAT (BTW) Orders are shipped according to incoterms : DAP
 A handling fee of € 35,00 is added to every order with a total value of less than € 500,00 (net, excl. VAT)

[Download PDF datasheet](#)

Pressure over air flow rated Voltage



Specific drawing



Connection illustration

60 x 60 x 25



Material : Glassfibre reinforced PA6
 Direction of rotation : Right CW seen on rotor
 Number of blades: 5
 Protection: IP20
 Isolation: B
 Mounting position: Free
 Mode of operation: Continuous S1
 Bearings : Maintenance free bearings
 Motorprotection : Electronic protected
 Cable : Cable 310 mm
 Norm : IEC 60038

Nominal data	Voltage	Frequency	Air flow	Speed	Power consumption	Bearing	Sound pressure level	Service life 40 C	Service life at T max	Perm. amb. temp.	Weight
Type	VDC	Hz	m3/h	rpm	W		dB (A)	Hrs	Hrs	C	kg
614NH / 9272206072	24	-	46	5600	2,1	ball	37	70000	35000	-20..70	0,07

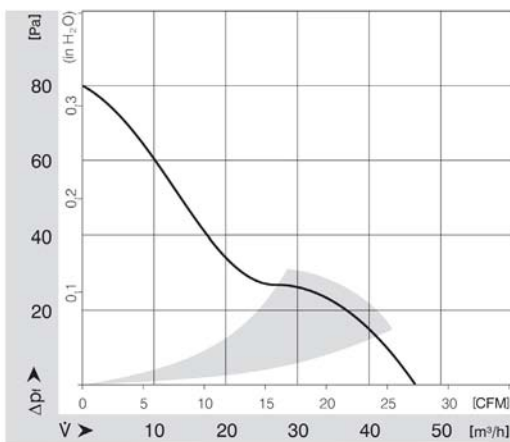
Note : fans used at 60Hz have slightly more air performance

Pricing	Quantities			Accessories
	1	5-9	10>	Grill
614NH / 9272206072	23,90	20,79	17,69	LZ28-1 9920028001

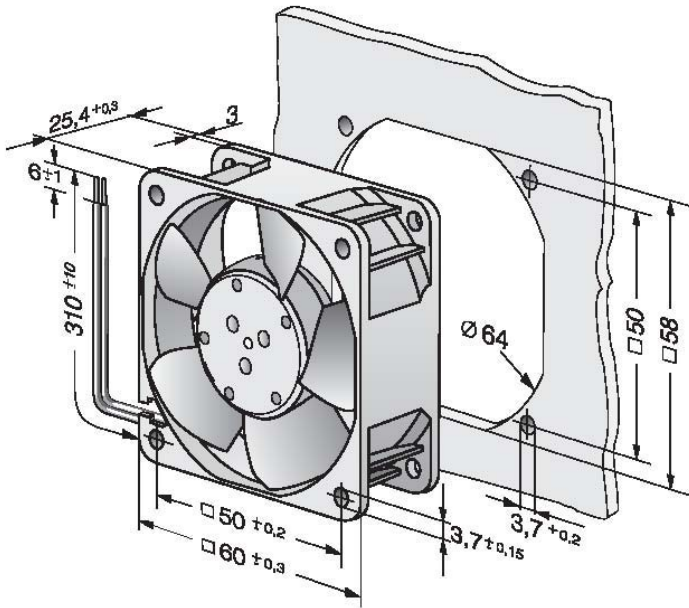
All prices are in euro, excluding VAT (BTW) Orders are shipped according to incoterms : DAP
 A handling fee of € 35,00 is added to every order with a total value of less than € 500,00 (net, excl. VAT)

[Download PDF datasheet](#)

Pressure over air flow rated Voltage



Specific drawing



Connection illustration

80 x 80 x 25



Material : Glassfibre reinforced PA6
 Direction of rotation : Right CCW seen on rotor
 Number of blades: 7
 Protection: IP20
 Isolation: B
 Mounting position: Free
 Mode of operation: Continuous S1
 Bearings : Maintenance free bearings
 Motorprotection : Electronic protected
 Cable : Cable 310 mm
 Norm : IEC 60038

Nominal data	Voltage	Frequency	Air flow	Speed	Power consumption	Bearing	Sound pressure level	Service life 40 C	Service life at T max	Perm. amb. temp.	Weight
Type	VDC	Hz	m3/h	rpm	W		dB (A)	Hrs	Hrs	C	kg
8412N / 9292506125	12	-	69	3100	2,0	Ball	32	70000	35000	-20..70	0,1

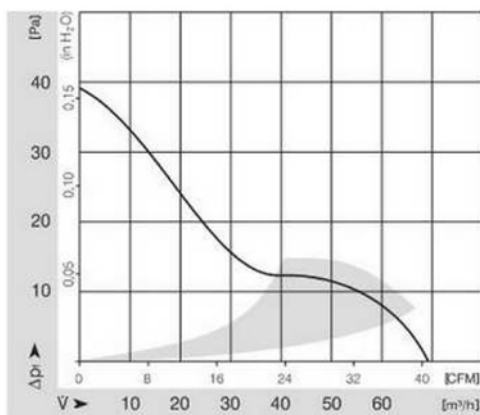
Note : fans used at 60Hz have slightly more air performance

Pricing	Quantities			Accessories
	1	5-9	10>	
Product Code				Grill
8412N / 9292506125	21,10	18,40	15,60	LZ32-4 9920032004

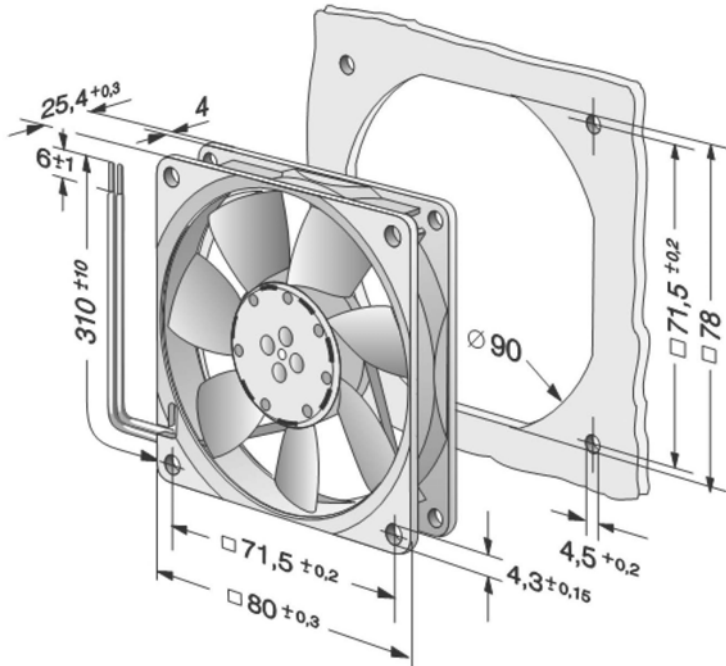
All prices are in euro, excluding VAT (BTW) Orders are shipped according to incoterms : DAP
 A handling fee of € 35,00 is added to every order with a total value of less than € 500,00 (net, excl. VAT)

[Download PDF datasheet](#)

Pressure over air flow rated Voltage



Specific drawing



Connection illustration

80 x 80 x 25



Material :	Glassfibre reinforced PA6
Direction of rotation	Right CCW seen on rotor
Number of blades:	7
Protection:	IP20
Isolation:	B
Mounting position:	Free
Mode of operation:	Continuous S1
Bearings	Maintenance free bearings
Motorprotection	Electronic protected
Cable	Cable 310 mm
Norm	IEC 60038

Nominal data	Voltage	Frequency	Air flow	Speed	Power consumption	Bearing	Sound pressure level	Service life 40 C	Service life at T max	Perm. amb. temp.	Weight
Type	VDC	Hz	m3/h	rpm	W		dB (A)	Hrs	Hrs	C	kg
8412NH / 9292506115	12	-	79	3600	2,2	Ball	37	70000	35000	-20..70	0,1

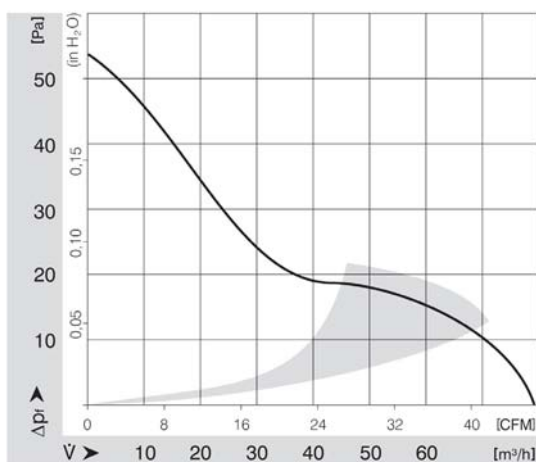
Note : fans used at 60Hz have slightly more air performance

Pricing	Quantities			Accessories
	1	5-9	10>	
Product Code				Grill
8412NH / 9292506115	23,50	20,45	17,39	LZ32-4 9920032004

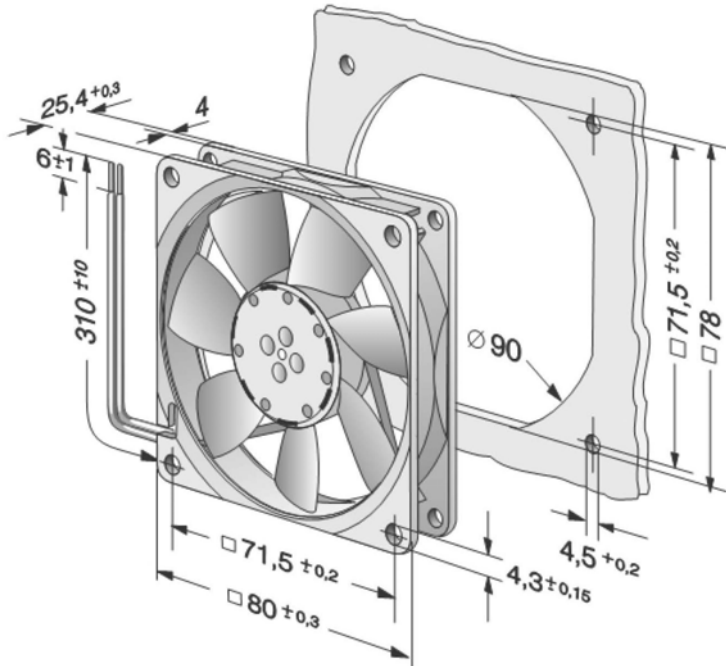
All prices are in euro, excluding VAT (BTW) Orders are shipped according to incoterms : DAP
 A handling fee of € 35,00 is added to every order with a total value of less than € 500,00 (net, excl. VAT)

[Download PDF datasheet](#)

Pressure over air flow rated Voltage



Specific drawing



Connection illustration

80 x 80 x 25



Material : Glassfibre reinforced PA6
 Direction of rotation : right CCW seen on rotor
 Number of blades: 7
 Protection: IP20
 Isolation: B
 Mounting position: Free
 Mode of operation: Continuous S1
 Bearings : Maintenance free bearings
 Motorprotection : Electronic protected
 Cable : Cable 310 mm
 Norm : IEC 60038

Nominal data	Voltage	Frequency	Air flow	Speed	Power consumption	Bearing	Sound pressure level	Service life 40 C	Service life at T max	Perm. amb. temp.	Weight
Type	VDC	Hz	m3/h	rpm	W		dB (A)	Hrs	Hrs	C	kg
8414N / 9292506126	24	-	69	3100	2,0	ball	32	70000	35000	-20..70	0,1

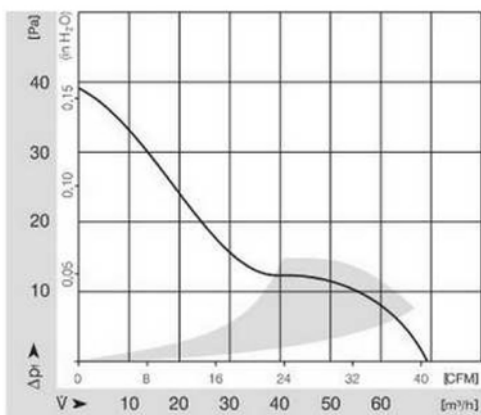
Note : fans used at 60Hz have slightly more air performance

Pricing	Quantities			Accessories
	1	5-9	10>	Grill
8414N / 9292506126	22,40	19,49	16,58	LZ 32-4 9920032004

All prices are in euro, excluding VAT (BTW) Orders are shipped according to incoterms : DAP
 A handling fee of € 35,00 is added to every order with a total value of less than € 500,00 (net, excl. VAT)

[Download PDF datasheet](#)

Pressure over air flow rated Voltage



92 x 92 x 25



Material : Glassfibre reinforced PA6
 Direction of rotation : Right CCW seen on rotor
 Number of blades: 7
 Protection: IP20
 Isolation: B
 Mounting position: Free
 Mode of operation: Continuous S1
 Bearings : Maintenance free bearings
 Motorprotection : Electronic protected
 Cable : Cable 310 mm
 Norm : IEC 60038

Nominal data	Voltage	Frequency	Air flow	Speed	Power consumption	Bearing	Sound pressure level	Service life 40 C	Service life at T max	Perm. amb. temp.	Weight
Type	VDC	Hz	m3/h	rpm	W		dB (A)	Hrs	Hrs	C	kg
3412N / 9292506324	12	-	84	2700	2,2	Ball	32	70000	35000	-20..70	0,1

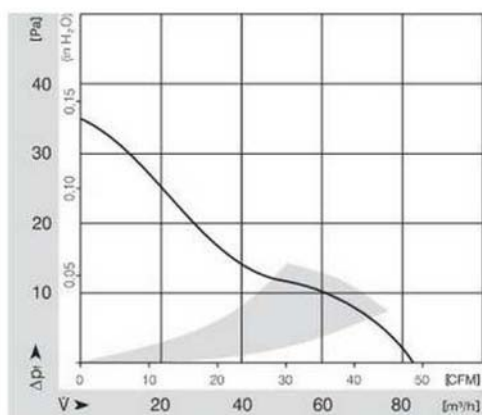
Note : fans used at 60Hz have slightly more air performance

Pricing	Quantities			Accessories
	1	5-9	10>	
Product Code				Grill
3412N / 9292506324	28,50	24,80	21,09	LZ23-1 9920023001

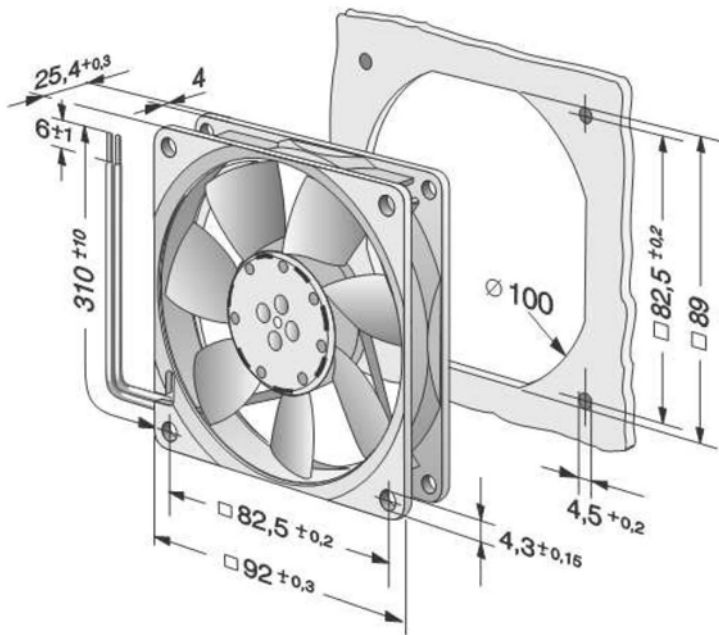
All prices are in euro, excluding VAT (BTW) Orders are shipped according to incoterms : DAP
 A handling fee of € 35,00 is added to every order with a total value of less than € 500,00 (net, excl. VAT)

[Download PDF datasheet](#)

Pressure over air flow rated Voltage



Specific drawing



Connection illustration

92 x 92 x 25



Material : Glassfibre reinforced PA6
 Direction of rotation : right CCW seen on rotor
 Number of blades: 7
 Protection: IP20
 Isolation: B
 Mounting position: Free,
 Mode of operation: continuous S1
 Bearings : Maintenance free bearings
 Motorprotection : Electronic protected
 Cable : Cable 310 mm
 Norm : IEC 60038

Nominal data	Voltage	Frequency	Air flow	Speed	Power consumption	Bearing	Sound pressure level	Service life 40 C	Service life at T max	Perm. amb. temp.	Weight
Type	VDC	Hz	m3/h	rpm	W		dB (A)	Hrs	Hrs	C	kg
3414N / 9252506321	24	-	84	2700	2,3	ball	32	70000	35000	-20..70	0,1

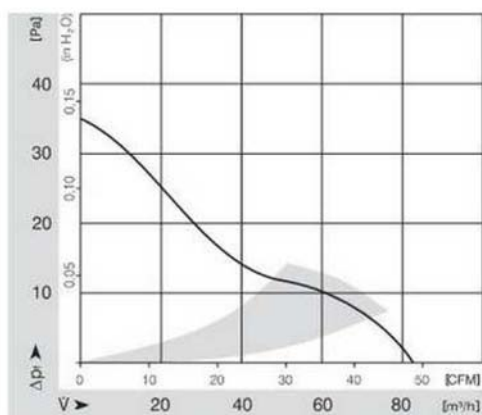
Note : fans used at 60Hz have slightly more air performance

Pricing	Quantities			Accessories
	1	5-9	10>	
Product Code				Grill
3414N / 9252506321	28,30	24,62	20,94	LZ23-1 9920023001

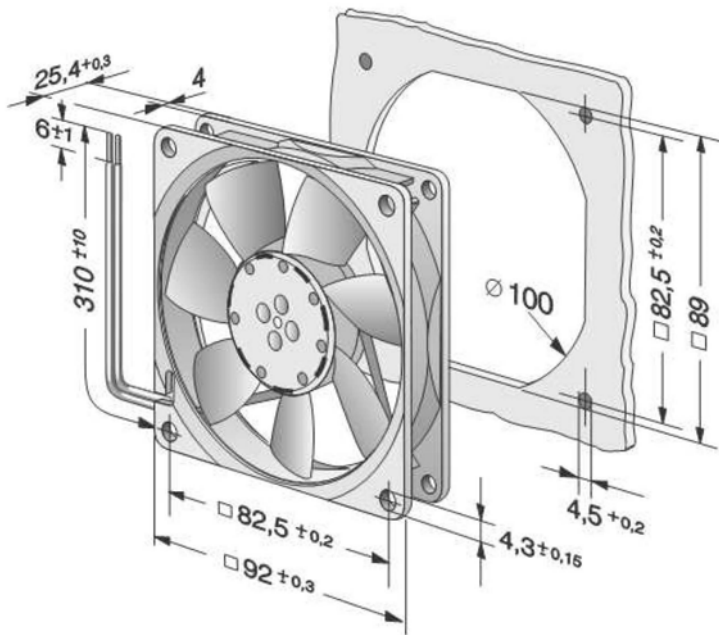
All prices are in euro, excluding VAT (BTW) Orders are shipped according to incoterms : DAP
 A handling fee of € 35,00 is added to every order with a total value of less than € 500,00 (net, excl. VAT)

[Download PDF datasheet](#)

Pressure over air flow rated Voltage



Specific drawing



Connection illustration

92 x 92 x 25



Material :	Glassfibre reinforced PA6
Direction of rotation	Right CCW seen on rotor
Number of blades:	7
Protection:	IP20
Isolation:	B
Mounting position:	Free
Mode of operation:	Continuous S1
Bearings	Maintenance free bearings
Motorprotection	Electronic protected
Cable	Cable 310 mm
Norm	IEC 60038

Nominal data	Voltage	Frequency	Air flow	Speed	Power consumption	Bearing	Sound pressure level	Service life 40 C	Service life at T max	Perm. amb. temp.	Weight
Type	VDC	Hz	m3/h	rpm	W		dB (A)	Hrs	Hrs	C	kg
3414NHH / 9292506320	24	-	102	3250	2,7	Ball	39	70000	35000	-20..70	0,1

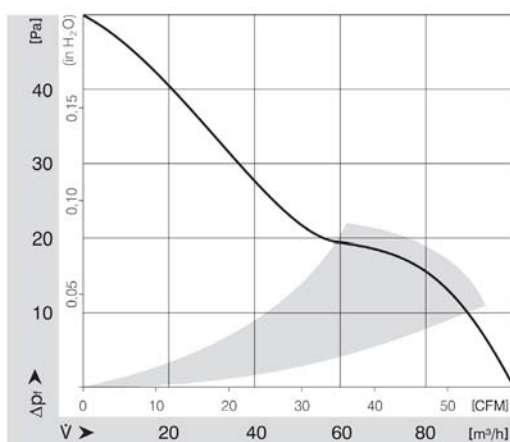
Note : fans used at 60Hz have slightly more air performance

Pricing	Quantities			Accessories
	1	5-9	10>	
Product Code				Grill
3414NHH / 9292506320	28,70	24,97	21,24	LZ23-1 9920023001

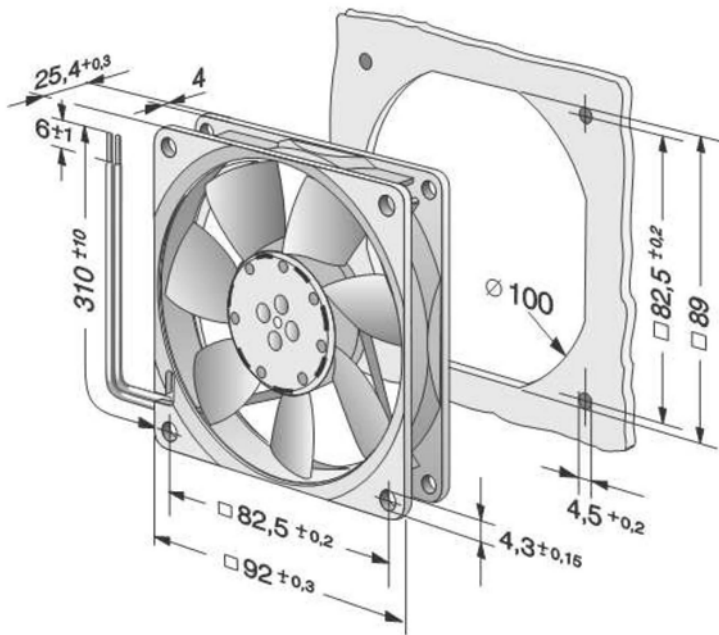
All prices are in euro, excluding VAT (BTW) Orders are shipped according to incoterms : DAP
 A handling fee of € 35,00 is added to every order with a total value of less than € 500,00 (net, excl. VAT)

[Download PDF datasheet](#)

Pressure over air flow rated Voltage



Specific drawing



Connection illustration

119 x 119 x 25



Material :
 Direction of rotation :
 Number of blades :
 Protection :
 Isolation :
 Mounting position :
 Mode of operation :
 Bearings :
 Motorprotection :
 Cable :
 Norm :

Housing : Glassfibre reinforced PA6
 Blades : Glassfibre reinforced PA6
 Right CCW seen on rotor
 7
 IP20
 B
 Free
 Continuous S1
 Maintenance free bearings
 Electronic protected
 Cable 310 mm
 IEC 60038

Nominal data	Voltage	Frequency	Air flow	Speed	Power consumption	Bearing	Sound pressure level	Service life 40 C	Service life at T max	Perm. amb. temp.	Weight
Type	VDC	Hz	m3/h	rpm	W		dB (A)	Hrs	Hrs	C	kg
4412FGML / 9293505434	12	-	114	1950	2,0	sleeve	32	75000	32500	-20..70	0,18

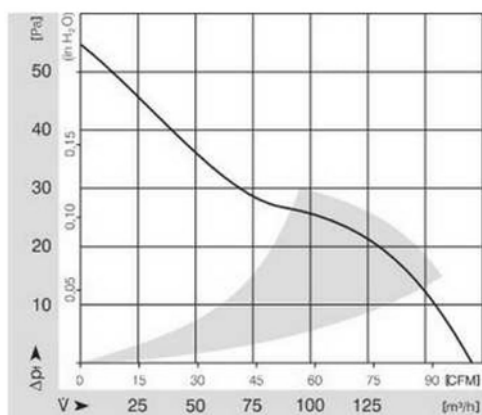
Note : fans used at 60Hz have slightly more air performance

Pricing	Quantities			Accessories
	1	5-9	10>	Grill
4412FGML / 9293505434	23,90	20,79	17,69	LZ30-4 9920030004

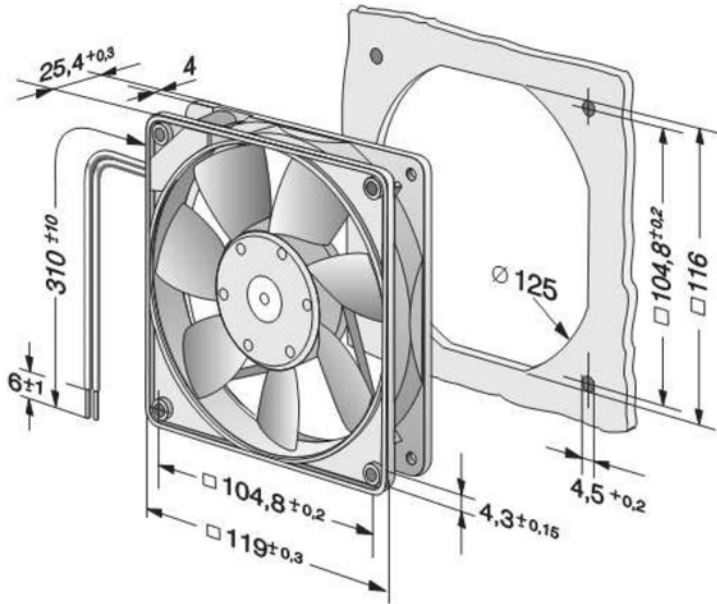
All prices are in euro, excluding VAT (BTW) Orders are shipped according to incoterms : DAP
 A handling fee of € 35,00 is added to every order with a total value of less than € 500,00 (net, excl. VAT)

[Download PDF datasheet](#)

Pressure over air flow rated Voltage



Specific drawing



Connection illustration

119 x 119 x 38



Material :	Glassfibre reinforced PA6
Direction of rotation	Right CW seen on rotor
Number of blades:	5
Protection:	IP20
Isolation:	B
Mounting position:	Free
Mode of operation:	Continuous S1
Bearings	Maintenance free bearings
Motorprotection	Electronic protected
Cable	Cable 310 mm
Norm	IEC 60038

Nominal data	Voltage	Frequency	Air flow	Speed	Power consumption	Bearing	Sound pressure level	Service life 40 C	Service life at T max	Perm. amb. temp.	Weight
Type	VDC	Hz	m3/h	rpm	W		dB (A)	Hrs	Hrs	C	kg
4412N / 9293510501	12	-	205	3650	5,5	ball	46	62500	30000	-20..70	0,27

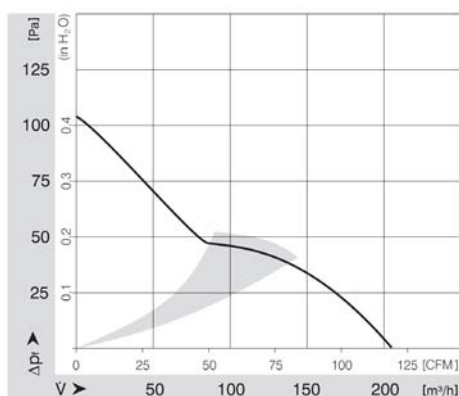
Note : fans used at 60Hz have slightly more air performance

Pricing	Quantities			Accessories
	1	5-9	10>	
Product Code				Grill
4412N / 9293510501	28,80	25,06	21,31	LZ 30-4 9920030004

All prices are in euro, excluding VAT (BTW) Orders are shipped according to incoterms : DAP
 A handling fee of € 35,00 is added to every order with a total value of less than € 500,00 (net, excl. VAT)

[Download PDF datasheet](#)

Pressure over air flow rated Voltage



119 x 119 x 25



Material :
 Direction of rotation :
 Number of blades :
 Protection :
 Isolation :
 Mounting position :
 Mode of operation :
 Bearings :
 Motorprotection :
 Cable :
 Norm :

Housing : Glassfibre reinforced PA6
 Blades : Glassfibre reinforced PA6
 Right CCW seen on rotor
 7
 IP20
 B
 Free
 Continuous S1
 Maintenance free bearings
 Electronic protected
 Cable 310 mm
 IEC 60038

Nominal data	Voltage	Frequency	Air flow	Speed	Power consumption	Bearing	Sound pressure level	Service life 40 C	Service life at T max	Perm. amb. temp.	Weight
Type	VDC	Hz	m3/h	rpm	W		dB (A)	Hrs	Hrs	C	kg
4414F / 9293505405	24	-	170	2900	5	ball	43	60000	37500	-20..60	0,18

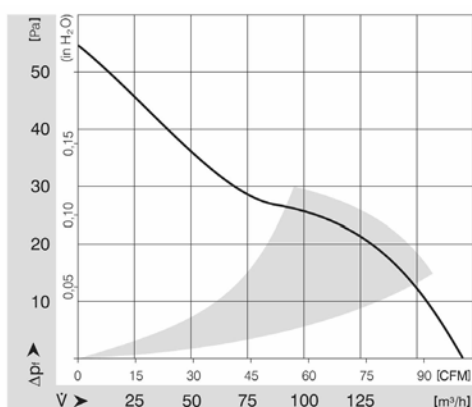
Note : fans used at 60Hz have slightly more air performance

Pricing	Quantities			Accessories
	1	5-9	10>	
Product Code				Grill
4414F / 9293505405	34,80	30,28	25,75	LZ 30-4 9920030004

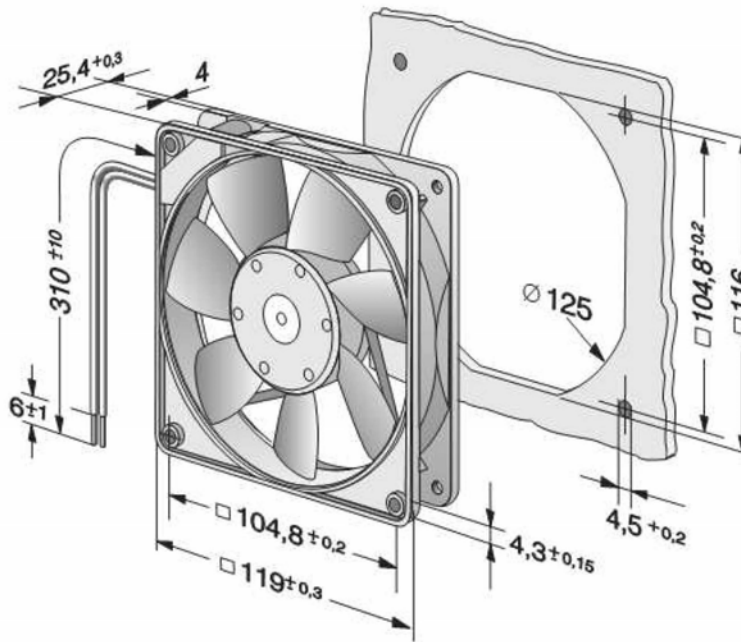
All prices are in euro, excluding VAT (BTW) Orders are shipped according to incoterms : DAP
 A handling fee of € 35,00 is added to every order with a total value of less than € 500,00 (net, excl. VAT)

[Download PDF datasheet](#)

Pressure over air flow rated Voltage



Specific drawing



Connection illustration

119 x 119 x 38



Material :
 Direction of rotation: Right CW seen on rotor
 Number of blades: 5
 Protection: IP20
 Isolation: B
 Mounting position: Free
 Mode of operation: Continuous S1
 Bearings: Maintenance free bearings
 Motorprotection: Electronic protected
 Cable: None terminal on housing 2,8 x 0,5 mm
 Norm: IEC 60038

Housing : aluminium
 Blades : Glassfibre reinforced PA6

Nominal data	Voltage	Frequency	Air flow	Speed	Power consumption	Bearing	Sound pressure level	Service life 40 C	Service life at T max	Perm. amb. temp.	Weight
Type	VDC	Hz	m3/h	rpm	W		dB (A)	Hrs	Hrs	C	kg
4184NX / 9274310103	24	-	180	3200	4,5	Ball	49	85000	37500	-30..75	0,39

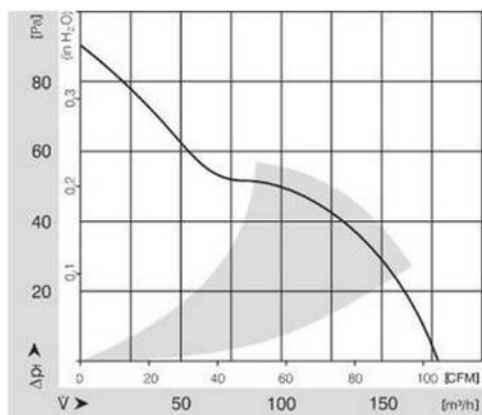
Note : fans used at 60Hz have slightly more air performance

Pricing	Quantities			Accessories
	1	5-9	10>	
Product Code				Grill
4184NX / 9274310103	53,10	46,20	39,30	LZ 30-4 9920030004

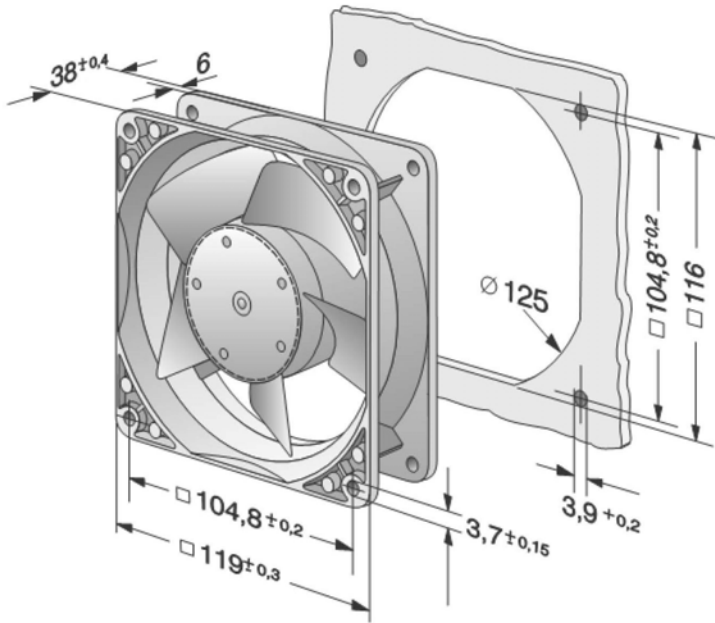
All prices are in euro, excluding VAT (BTW) Orders are shipped according to incoterms : DAP
 A handling fee of € 35,00 is added to every order with a total value of less than € 500,00 (net, excl. VAT)

[Download PDF datasheet](#)

Pressure over air flow rated Voltage



Specific drawing



Connection illustration

119 x 119 x 38



Material :
 Direction of rotation :
 Number of blades :
 Protection :
 Isolation :
 Mounting position :
 Mode of operation :
 Bearings :
 Motorprotection :
 Cable :
 Norm :

Housing : Glassfibre reinforced PA6
 Blades : Glassfibre reinforced PA6
 Right CW seen on rotor
 5
 IP20
 B
 Free
 Continuous S1
 Maintenance free bearings
 Electronic protected
 Cable 310 mm
 IEC 60038

Nominal data	Voltage	Frequency	Air flow	Speed	Power consumption	Bearing	Sound pressure level	Service life 40 C	Service life at T max	Perm. amb. temp.	Weight
Type	VDC	Hz	m3/h	rpm	W		dB (A)	Hrs	Hrs	C	kg
4414HH / 9293510524	24	-	285	5000	14	Ball	55	50000	25000	-20..70	0,27

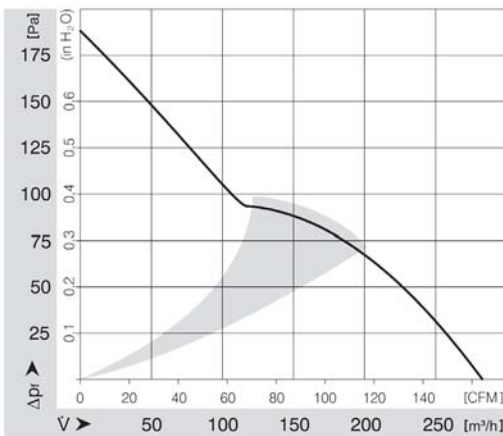
Note : fans used at 60Hz have slightly more air performance

Pricing	Quantities			Accessories
	1	5-9	10>	
Product Code	1	5-9	10>	Grill
4414HH / 9293510524	38,30	33,32	28,34	LZ30-4 9920030004

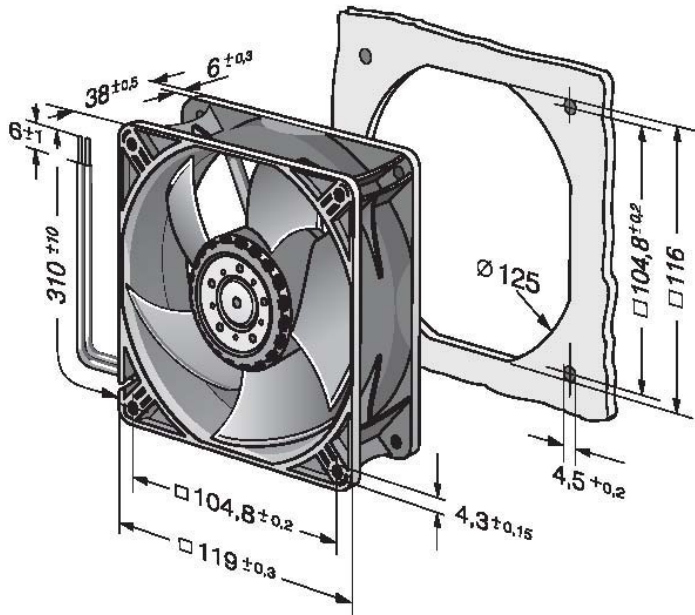
All prices are in euro, excluding VAT (BTW) Orders are shipped according to incoterms : DAP
 A handling fee of € 35,00 is added to every order with a total value of less than € 500,00 (net, excl. VAT)

[Download PDF datasheet](#)

Pressure over air flow rated Voltage



Specific drawing



Connection illustration

119 x 119 x 38



Material :
 Direction of rotation :
 Number of blades :
 Protection :
 Isolation :
 Mounting position :
 Mode of operation :
 Bearings :
 Motorprotection :
 Cable :
 Norm :

Housing : aluminium
 Blades : Glassfibre reinforced PA6
 Right CW seen on rotor
 5
 IP20
 B
 Free
 Continuous S1
 Maintenance free bearings
 Electronic protected
 Cable 310 mm
 IEC 60038

Nominal data	Voltage	Frequency	Air flow	Speed	Power consumption	Bearing	Sound pressure level	Service life 40 C	Service life at T max	Perm. amb. temp.	Weight
Type	VDC	Hz	m3/h	rpm	W		dB (A)	Hrs	Hrs	C	kg
4114NH4 / 9694300257	24	-	355	6800	30	ball	67	62500	35000	-20..65	0,39

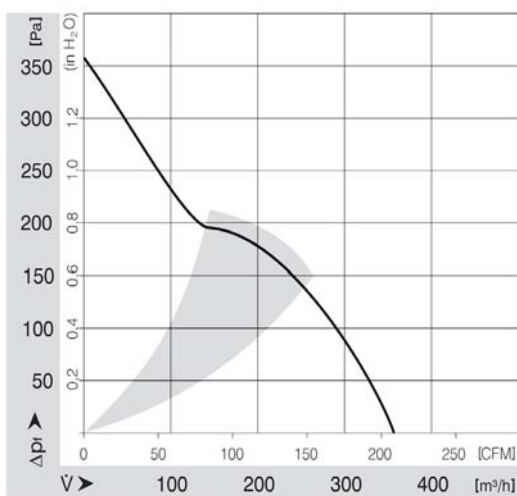
Note : fans used at 60Hz have slightly more air performance

Pricing	Quantities			Accessories
	1	5-9	10>	
Product Code				Grill
4114NH4 / 9694300257	57,00	49,60	42,20	LZ30-4 9920030004

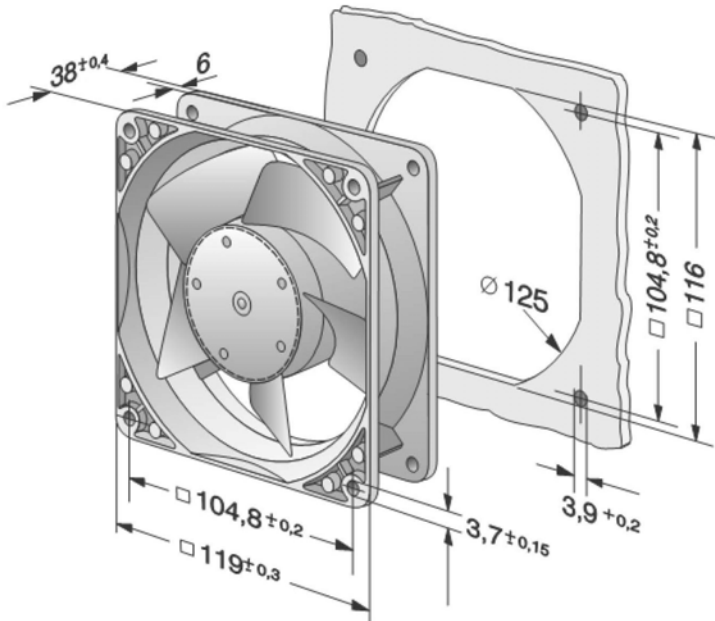
All prices are in euro, excluding VAT (BTW) Orders are shipped according to incoterms : DAP
 A handling fee of € 35,00 is added to every order with a total value of less than € 500,00 (net, excl. VAT)

[Download PDF datasheet](#)

Pressure over air flow rated Voltage



Specific drawing



Connection illustration

150 x 38



Material :
 Direction of rotation
 Number of blades:
 Protection:
 Isolation:
 Mounting position:
 Mode of operation:
 Bearings
 Motorprotection
 Cable
 Norm

Housing : aluminium
 Blades : aluminium
 Right CCW seen on rotor
 7
 IP20
 B
 Free
 Continuous S1
 Maintenance free bearings
 Electronic protected
 Cable 365 mm
 IEC 60038

Nominal data	Voltage	Frequency	Air flow	Speed	Power consumption	Bearing	Sound pressure level	Service life 40 C	Service life at T max	Perm. amb. temp.	Weight
Type	VDC	Hz	m3/h	rpm	W		dB (A)	Hrs	Hrs	C	kg
7114N / 9295410121	24	-	360	2850	12	ball	55	80000	37500	-25..72	0,62

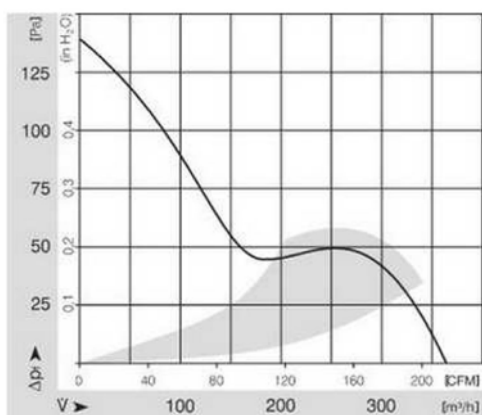
Note : fans used at 60Hz have slightly more air performance

Pricing	Quantities			Accessories
	1	5-9	10>	Grill
7114N / 9295410121	114,40	99,53	84,66	LZ36 9920036000

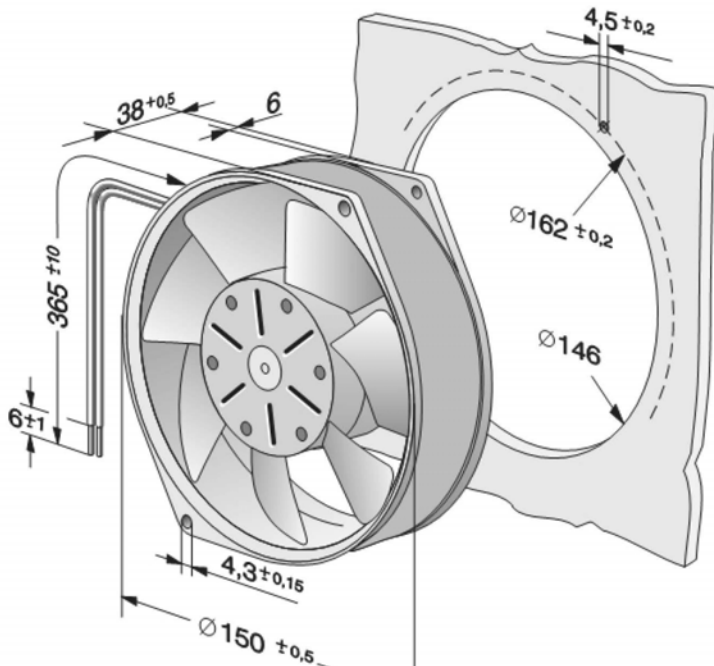
All prices are in euro, excluding VAT (BTW) Orders are shipped according to incoterms : DAP
 A handling fee of € 35,00 is added to every order with a total value of less than € 500,00 (net, excl. VAT)

[Download PDF datasheet](#)

Pressure over air flow rated Voltage



Specific drawing



Connection illustration

172 x 51



Material :
 Direction of rotation
 Number of blades:
 Protection:
 Isolation:
 Mounting position:
 Mode of operation:
 Bearings
 Motorprotection
 Cable
 Norm

Housing : aluminium
 Blades : Glassfibre reinforced PA6
 Right CCW seen on rotor
 5
 IP20
 B
 Free
 Continuous S1
 Maintenance free bearings
 Electronic protected
 Cable 365 mm
 IEC 60038

Nominal data	Voltage	Frequency	Air flow	Speed	Power consumption	Bearing	Sound pressure level	Service life 40 C	Service life at T max	Perm. amb. temp.	Weight
Type	VDC	Hz	m3/h	rpm	W		dB (A)	Hrs	Hrs	C	kg
6314/2TDHP / 9295420004	24	-	600	5500	40	ball	60	75000	37500	-20..70	0,91

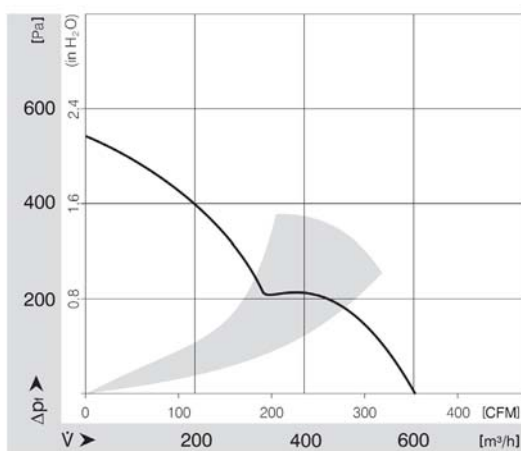
Note : fans used at 60Hz have slightly more air performance

Pricing	Quantities			Accessories
	1	5-9	10>	Grill
6314/2TDHP / 9295420004	116,20	101,09	85,99	LZ36 9920036000

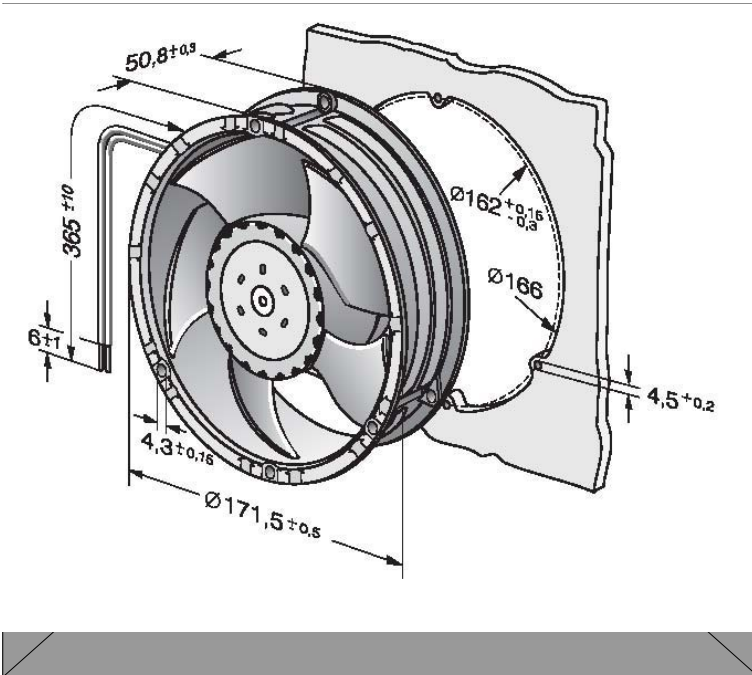
All prices are in euro, excluding VAT (BTW) Orders are shipped according to incoterms : DAP
 A handling fee of € 35,00 is added to every order with a total value of less than € 500,00 (net, excl. VAT)

[Download PDF datasheet](#)

Pressure over air flow rated Voltage

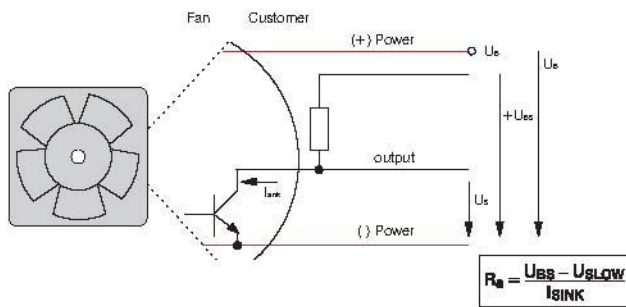


Specific drawing



Connection illustration

Electrical connection



All voltages measured to ground.
External load resistance $R_a / U_a / U_{aS}$ required.

172 x 51



Material :	Housing : aluminium
Direction of rotation	Blades : Glassfibre reinforced PA6
Number of blades:	Right CW seen on rotor
Protection:	5
Isolation:	IP20
Mounting position:	B
Mode of operation:	Free
Bearings	Continuous S1
Motorprotection	Maintenance free bearings
Cable	Electronic protected
Norm	Cable 365 mm
	IEC 60038

Nominal data	Voltage	Frequency	Air flow	Speed	Power consumption	Bearing	Sound pressure level	Service life 40 C	Service life at T max	Perm. amb. temp.	Weight
Type	VDC	Hz	m3/h	rpm	W		dB (A)	Hrs	Hrs	C	kg
DV6224 / 9295414502	24	-	540	4300	40	ball	63	90000	40000	-20..75	0,82

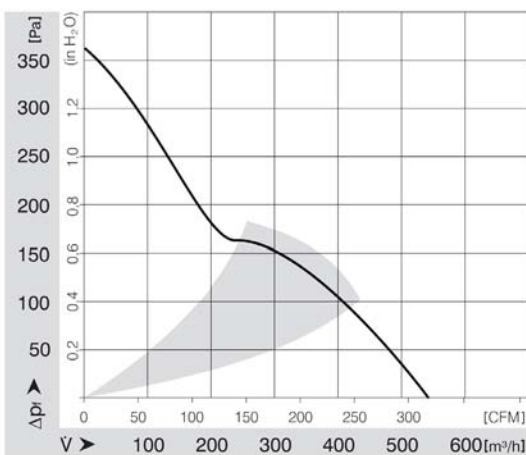
Note : fans used at 60Hz have slightly more air performance

Pricing	Quantities			Accessories
	1	5-9	10>	
Product Code				Grill
DV6224 / 9295414502	142,10	123,63	105,15	LZ36 9920036000

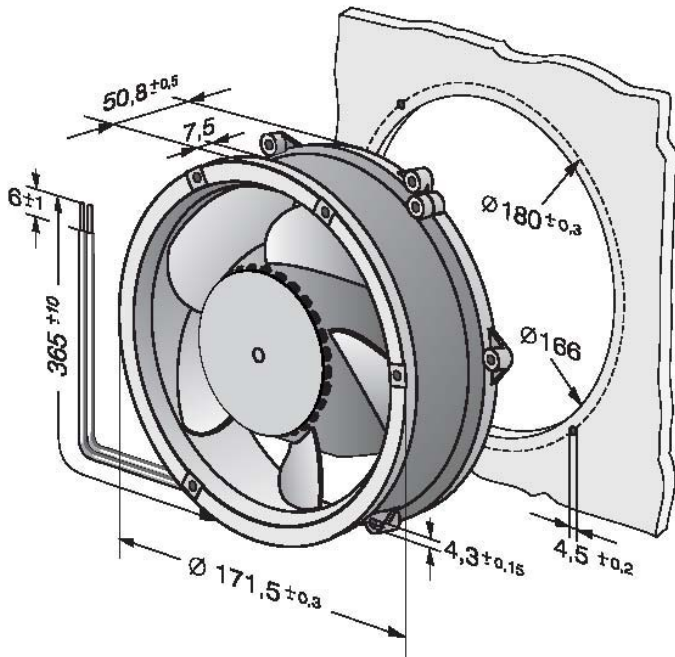
All prices are in euro, excluding VAT (BTW) Orders are shipped according to incoterms : DAP
 A handling fee of € 35,00 is added to every order with a total value of less than € 500,00 (net, excl. VAT)

[Download PDF datasheet](#)

Pressure over air flow rated Voltage



Specific drawing



Connection illustration

220 x 220 x 56



Material :
 Direction of rotation :
 Protection :
 Isolation :
 Mounting position :
 Mode of operation :
 Bearings :
 Motorprotection :
 Cable :
 Norm :

Housing : glassfibre reinforced PA6
 Blades : Glassfibre reinforced PA6
 Right CCW seen on rotor
 IP20
 B
 Free
 Continuous S1
 Maintenance free bearings
 Electronic protected
 Cable 325 mm
 IEC 60038

Nominal data	Voltage	Frequency	Air flow	Speed	Power consumption	Bearing	Sound pressure level	Service life 40 C	Service life at T max	Perm. amb. temp.	Weight
Type	VDC	Hz	m3/h	rpm	W		dB (A)	Hrs	Hrs	C	kg
RG160-28/14N / 9595414100	24	-	209	2850	20	ball		70000	35000	-20..70	1,4

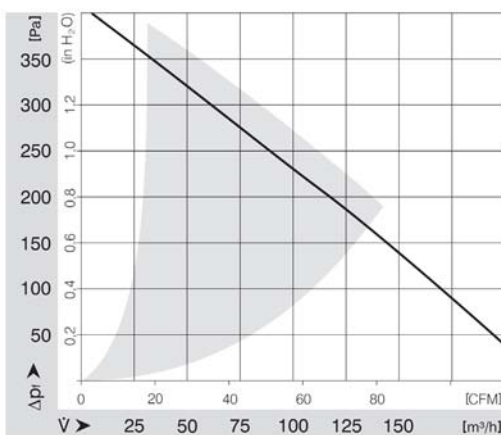
Note : fans used at 60Hz have slightly more air performance

Product Code	Quantities		
	1	5-9	10>
RG160-28/14N / 9595414100	149,00	129,63	110,26

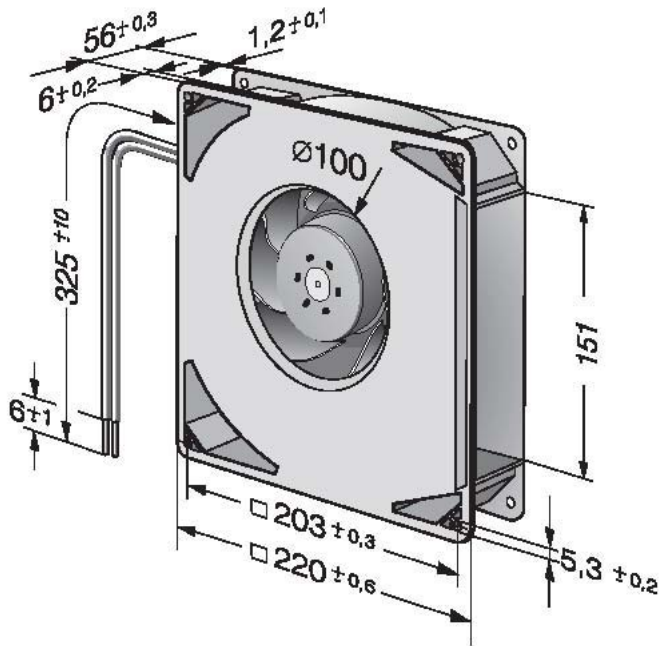
All prices are in euro, excluding VAT (BTW) Orders are shipped according to incoterms : DAP
 A handling fee of € 35,00 is added to every order with a total value of less than € 500,00 (net, excl. VAT)

[Download PDF datasheet](#)

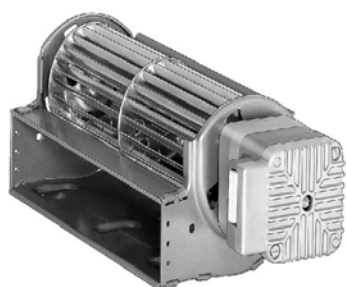
Pressure over air flow rated Voltage



Specific drawing



Connection illustration



Material : Blades coated black steelplate
 Isolation: B
 Mounting position: Horizontal or vertical with motor at bottom
 Bearings: Maintenance free bearings
 Motorprotection: Impedance protected
 Connection line: Flat plug 6.3 x 0.8 mm.
 Cable: Cable 310 mm

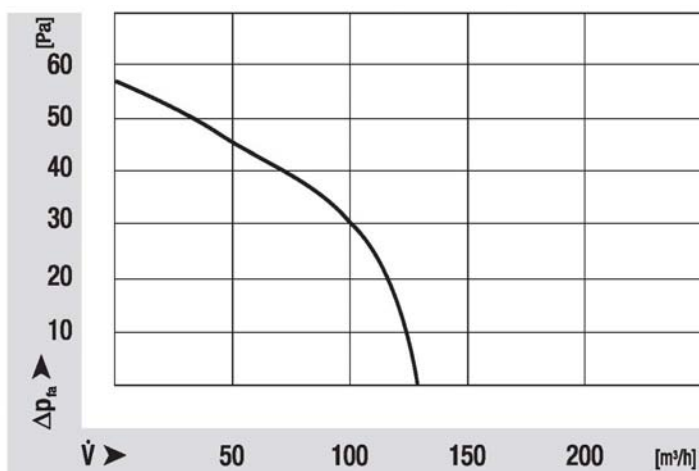
Nominal data		Voltage	Frequency	Air flow	Speed	Power consumption	Bearing	Sound pressure level	Pressure increase	Perm. amb. temp.	Weight
Type	Motor	VAC	Hz	m3/h	rpm	W	A	dB (A)	Pa	C	kg
QLZ06/1800-2518 / 55410.81610		230	50/60	130	1350	30	0.22	-	58	0...60	0.90

Pricing					
Product Code	Quantities				
	1	2-4	5-9	10-15	
QLZ06/1800-2518	76,40	69,29	62,46	55,58	

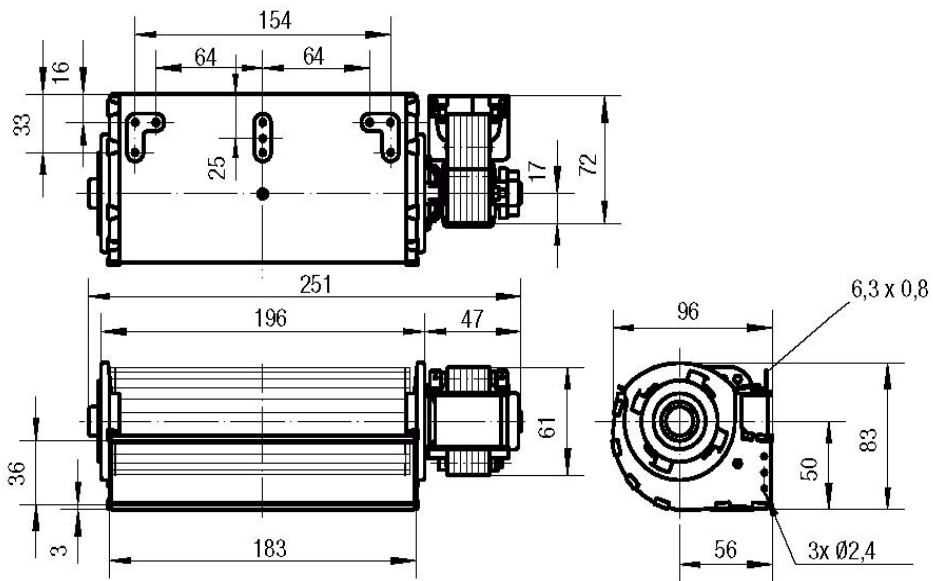
All prices are in euro, excluding VAT (BTW) Orders are shipped according to incoterms : DAP
 A handling fee of € 35,00 is added to every order with a total value of less than € 500,00 (net, excl. VAT)

[Download PDF datasheet](#)

Pressure over air flow rated Voltage



Specific drawing



Connection illustration



Direction of rotation	Right CW seen on rotor
Protection:	IP42
Isolation:	B
Condensate discharges	None
Mounting position:	Free,
Mode of operation:	Continuous S1
Bearings	Maintenance free bearings
Motorprotection	Types 1-3 impedance protected
Motorprotection	Types 4-8 and IQ Integrated temperature switches
Mounting	See drawing for possibilities
Cable	1500 mm
Norm	CE and VDE

Nominal data	Voltage	Frequency	Speed	Power output	Power consumption	Current	perm. amb. temo	Wweight	Price	Price	Price
Type	VAC	Hz	rpm	W	W	A	C	kg	1-4	5-9	10-14
M4Q045-BD01-75 (1)	230	50	1300	5	29	0,19	-30..40	0,9	20,40	17,70	15,90
M4Q045-CA01-75 (2)	230	50	1300	7	31	0,20	-30..40	1,1	24,20	21,00	18,90
M4Q045-CA03-75 (3)	230	50	1300	10	36	0,25	-30..40	1,2	25,10	21,70	19,60
M4Q045-CF01-75 (4)	230	50	1300	16	60	0,42	-30..40	1,3	27,00	23,50	21,10
M4Q045-DA01-75 (5)	230	50	1300	18	70	0,48	-30..40	1,6	30,10	26,20	23,60
M4Q045-DA05-75 (6)	230	50	1300	23	86	0,62	-30..40	1,6	31,10	27,00	24,30
M4Q045-EA01-75 (7)	230	50	1300	25	90	0,62	-30..40	2,0	37,90	33,00	29,70
M4Q045-EF01-75 (8)	230	50	1300	34	110	0,75	-30..40	2,2	42,00	36,50	32,80

IQ motors are energy saving alternatives with fully : fit form and function

IQ3612 altn voor (1)*	230	50	1300		9,2		-40..50	0,5	66,24	60,03	58,37
IQ3612 altn voor (2)*	230	50	1300		12,1		-40..50	0,6	66,24	60,03	58,37
IQ3612 altn voor (3)*	230	50	1300		21,2		-40..50	0,6	66,24	60,03	58,37
IQ3612 altn voor (4)*	230	50	1300		23,4		-40..50	0,6	66,24	60,03	58,37
IQ3620 altn voor (5)**	230	50	1300		25,7		-40..50	0,8	70,38	64,17	62,51

* IQ3612 / 55330.01083

** IQ3620 / 55330.01150

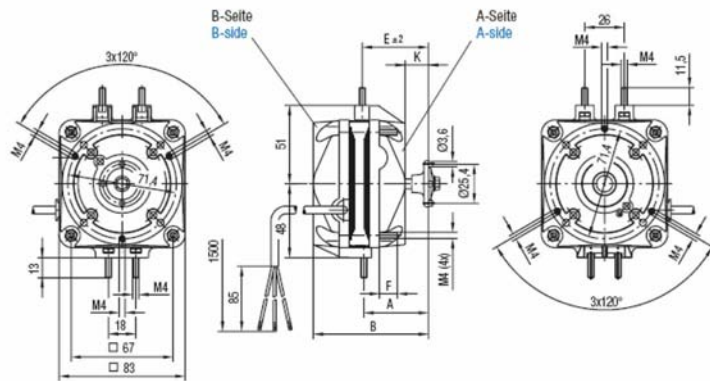
All prices are in euro, excluding VAT (BTW) Orders are shipped according to incoterms : DAP
A handling fee of € 35,00 is added to every order with a total value of less than € 500,00 (net, excl. VAT)

Please note :

All power consumption values of the IQ motors are at the maximum wing diameter and the maximum blade angle. For the exact values contact our sales department also return on investment values can be given.



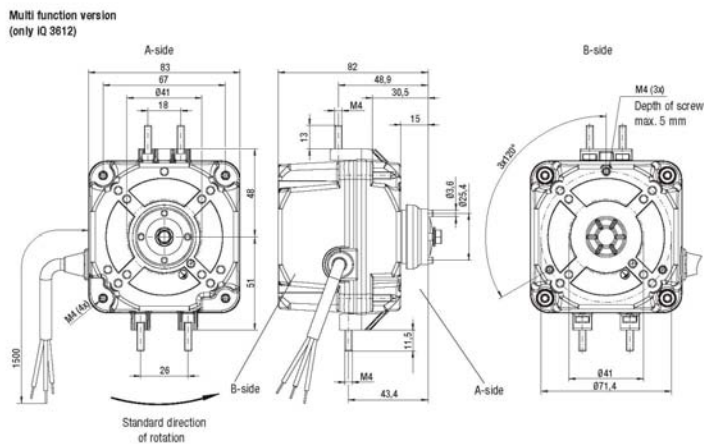
Specific drawing



Dimensions in mm

articlenumber	A	B	E	F	K
M4Q045-BD01-75	43	76	43,5	12	15
M4Q045-CA01-75	49	82	43,5	10	15
M4Q045-CA03-75	49	82	43,5	10	15
M4Q045-CF01-75	54	87	43,5	10	15
M4Q045-DA01-75	59	93	43,5	10	15
M4Q045-DA05-75	59	93	43,5	10	15
M4Q045-EA01-75	69	103	44,0	10	15
M4Q045-EF01-75	92	125	61,0	10	33

Specific drawing





Material : Mounting flange die-cast aluminum
 Rotor stove-enameled in black
 Shaft stainless steel

Direction of rotation: Right, CW seen on rotor

Protection: IP44

Isolation: B

Condensate discharges: None

Mounting position: Free

Mode of operation: Continuous S1

Bearings: Maintenance free ball bearings

Motorprotection: Integrated temperature switches

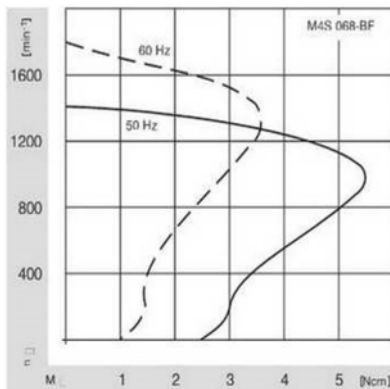
Cable: Variabel

Norm: EN 60335-1

Nominal data	Voltage	Frequency	Speed	Current	Starting torque	Nominal torque	Weight	Cable length	Price	Price	Price
Type	VAC	Hz	rpm	A	mNm	mNm	kg	mm	1-4	5-9	10-14
M4S068BF0819	230	50	1200	0.18	25	46	1.1	600	96,40	83,80	75,50
M4S068BF0814	230	50	1200	0.18	25	46	1.1	1000	97,40	84,70	76,30

All prices are printed in euro, excluding VAT (BTW). Orders are shipped according to incoterms : DAP. A handling fee of € 35,00 is added to every order with a total value of less than € 500,00 (net, excl. VAT)

Delivery head over airflow at 50 Hz





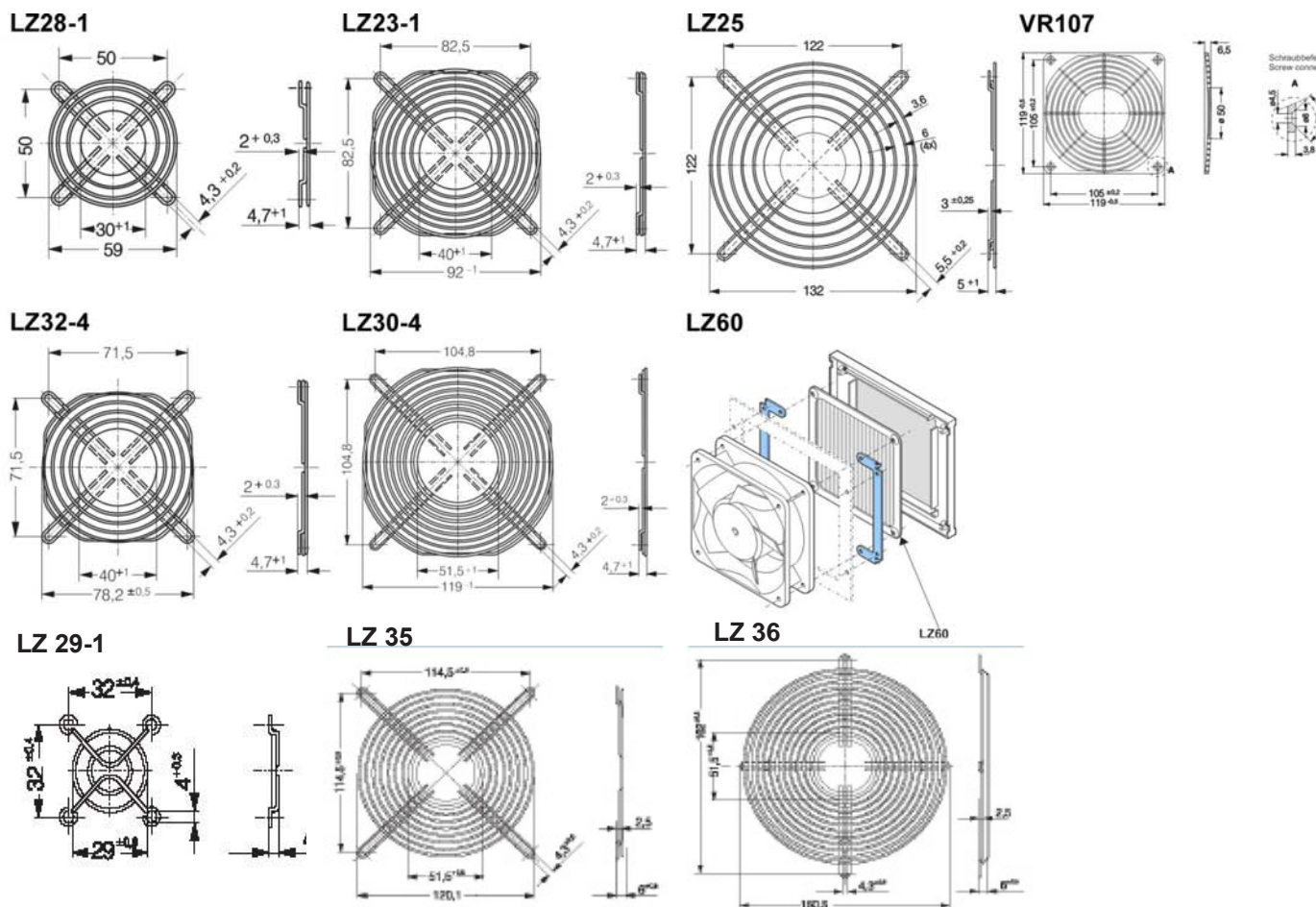
Product code	uF	Size (mm)	Quantities / Pricing		
			1-4	5-9	10-14
280F00031	1	30x57	4,30		3,42
280F00069	1.5	30x57	8,10		6,44
280F00033	2	30x57	4,50		3,58
280F00035	3	30x57	4,60		3,66
280F00036	4	30x57	5,00		3,98
280F00037	5	30x70	5,80		4,61
280F00038	6	35x70	6,00		4,77
280F00039	8	35x70	8,00		5,30
280F00040	10	40x70	9,20		6,10
280F00041	12	45x70	10,50		6,96
280F00042	14	45x70	11,00		7,29
280F00043	16	40x94	11,50		7,62
280F00044	20	45x94	14,00		9,28
280F00045	25	45x94	15,00		9,95
280F00046	35	50x121	20,70		13,72



Type	Fan Series	Product code	Quantities		
			1-4	5-9	10-14
LZ29-1	400	9920029001	3,10	2,70	2,29
LZ36	7000	9920036000	6,00	5,22	4,44
LZ28-1	600	9920028001	3,80	3,31	2,81
LZ23-1	3000	9920023002	3,10	2,70	2,29
LZ32-4	8000	9920032004	5,80	5,05	4,29
LZ30-4	9000/4000	9920030004	6,50	5,66	4,81
LZ25	5100/5600	9920025000	7,10	6,18	5,25
VR107	9000/4000	280F00017	4,15	3,61	3,25
LZ60	9000/4000	9920060000	8,10	7,05	5,99
LZ35	5000	9920035000	5,10	4,44	3,77

All prices are printed in euro, excluding VAT (BTW). Orders are shipped according to incoterms : DAP. A handling fee of € 35,00 is added to every order with a total value of less than € 500,00 (net, excl. VAT)

Dimensions





TMV2

The 5-speed controller type TMV2 is for use in general rooms and kitchens. The casing is protection class IP54. The controller has a connection for servo contact (230 V ~50-60 Hz / 0.5 A).

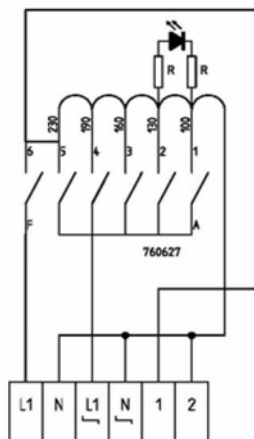
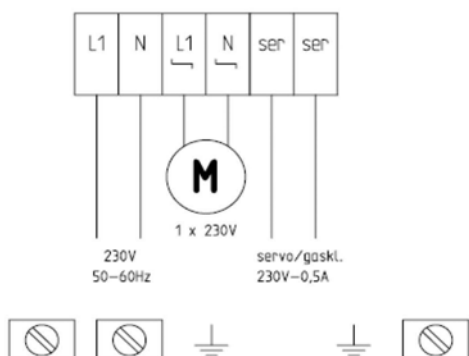
TMV3

The 5-speed controller type TMV3 is for use in general rooms. The casing is protection class IP54. The controller is made in V diagram. The controller is thermally protected and has a connection for a servo contact (230 V ~50-60 Hz / 0.5 A) and thermally protected motors (TK-TK). Hand reset after thermal cut-off and power interrupt.

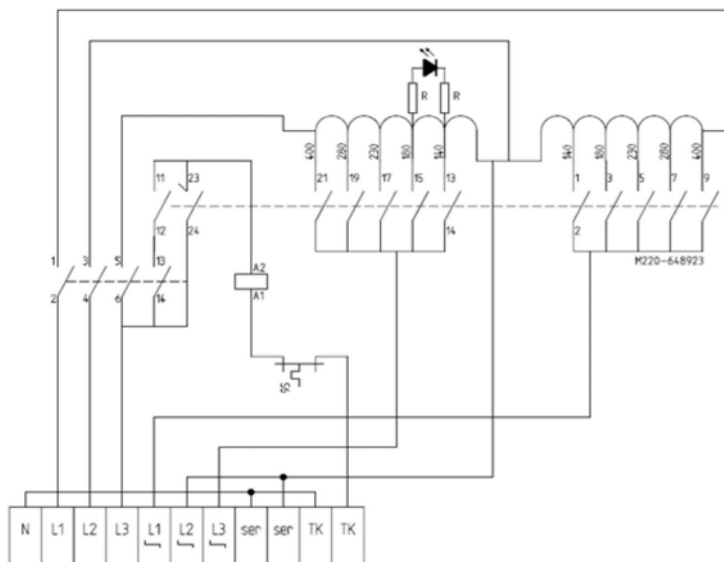
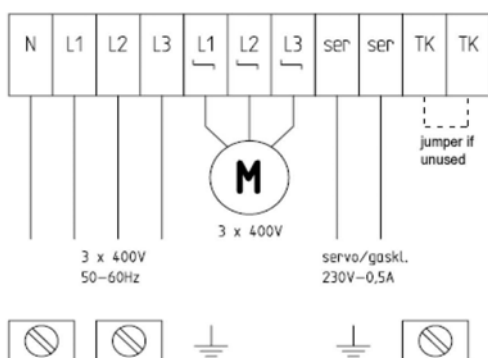
Nominal data		Voltage	Output voltage	Current	Dimensions	Price
Type	Product code	VAC	VAC	A	mm	
TMV2-2,2	280F00085	230	0-100-130-160-190-230	2.2	192x152x87 (Plastic)	89,04
TMV2-3	280F00086	230	0-100-130-160-190-230	3.0	192x152x87 (Plastic)	98,40
TMV2-5	280F00087	230	0-100-130-160-190-230	5.0	235x182x148 (Plastic)	119,76
TMV2-7	280F00088	230	0-100-130-160-190-230	7.0	235x182x148 (Plastic)	130,88
TMV2-13,6	280F00089	230	0-100-130-160-190-230	13.6	325x252x136 (Plastic)	242,48
TMV3-4	280F00090	400	0-140-180-230-400	4.0	300x250x150 (Metal)	315,92
TMV3-7	280F00091	400	0-140-180-230-400	7.0	300x250x150 (Metal)	506,96
Subject to modification						

Connection illustration

TMV 2 - series



TMV 3 - series



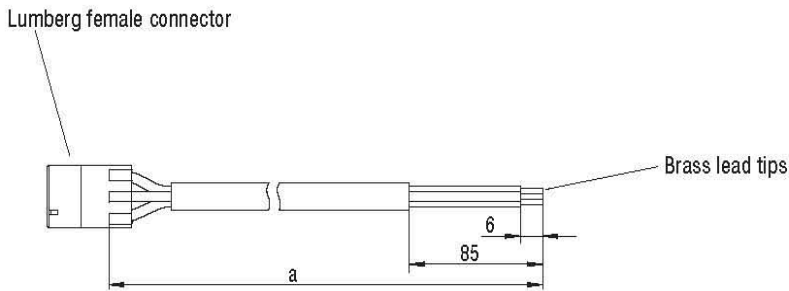
- Brand: ABB Busch-Jaeger
- Speed controller 2.5A with illumination



Nominal data		Current	Mounting	Protection class	Color	Hallogen free	
Type	Artikelnr.	A		IP	RAL		
2297-AG-110	280F00023	2.5	Surface	44	1013	Yes	112,20
2297-UCJ-110-212	280F00020	2.5	Built-in	21	-	Yes	97,20
Subject to modification							

Subject to modification

Drawing

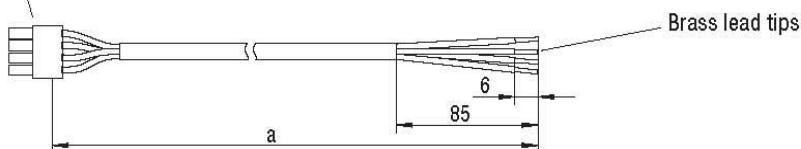


- **Suitable for:**
D3G146-LT; D3G146-LU; D3G146-LV;
K3G146-A.....
- **Plug assignment:**
 - 1 = N (blue)
 - 2 = L (black)
 - 3 = PE (green/yellow)

Line lead for EC centrifugal fans with plastic housing Pricing

Part no.	a / cable length	1	5	10
65031-4-1040	650,0	6,00	5,20	4,70

Molex Micro Fit female connector



- **Suitable for:**
D3G146-LT; D3G146-LU; D3G146-LV;
K3G146-A.....
- **Plug assignment:**
 - 1 = GND (blue)
 - 2 = 0-10V lin. / PWM (yellow)
 - 3 = Tacho (white)
 - 4 = 10V (red)

Control lines for EC centrifugal fans with plastic housing Pricing

Part no.	a / cable length	1	5	10
65007-4-1040	650,0	6,40	5,60	5,00