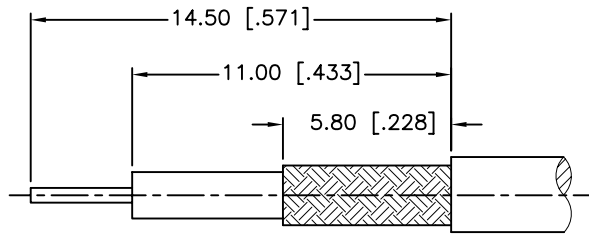
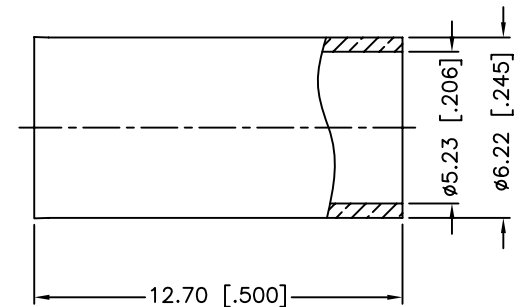
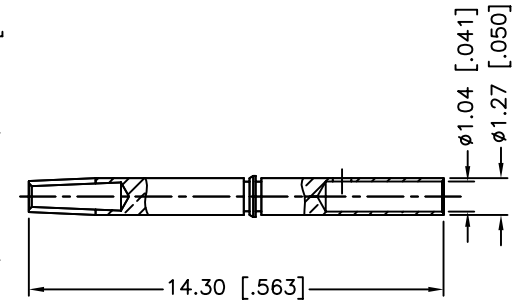
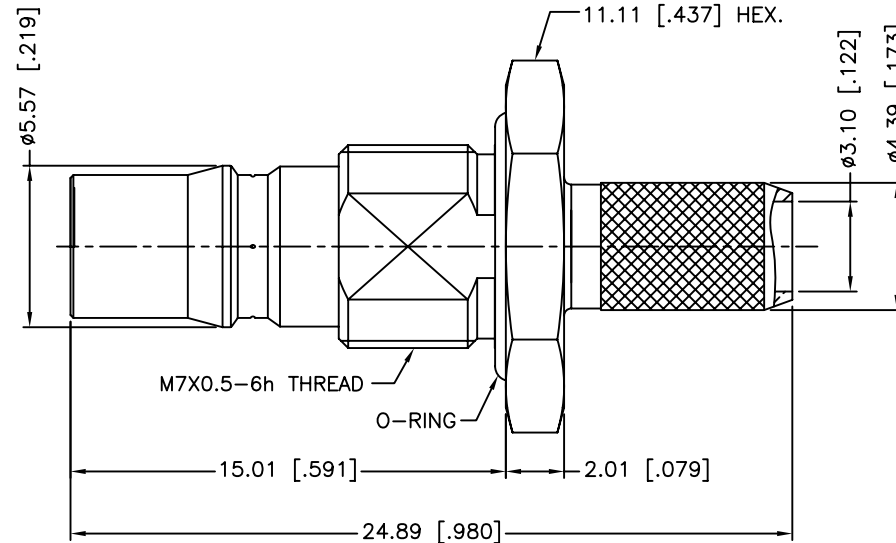
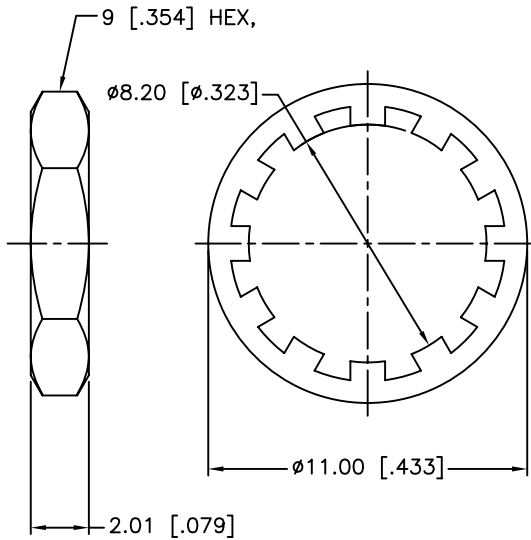
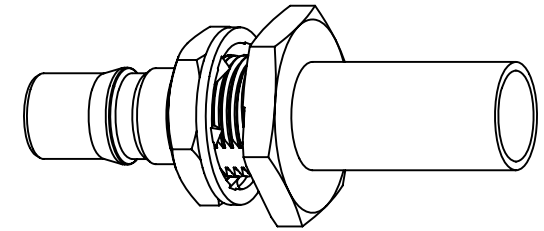


REV.	DATE	ECR NO.	DESCRIPTION
NC	11/15/11	XXXXXX	INITIAL RELEASE



RECOMMENDED
CABLE STRIPPING DIM'S



1. IMPEDANCE: 50 OHM
2. FREQUENCY RANGE: DC - 11 GHz
3. VSWR(RETURN LOSS): 1.22 (20 dB) MAX 0-6 GHz
1.29 (18 dB) MAX 6-11 GHz
4. DIELECTRIC WITHSTANDING VOLTAGE: 1000 VRMS, MIN.
5. DURABILITY: 100 CYCLES MIN.
6. TEMPERATURE RANGE: -40°C TO +85°C
7. PACKAGING:
A. QUANTITY: SINGLE PACK
B. MARKING: BAG TO BE MARKED
"AMPHENOL, 134106, AND DATE CODE"
8. CRIMPED FERRULE
HEX. CRIMP SIZE .213"
9. CONTACT PIN TO SOLDER
10. MAX. PANEL THICKNESS=2.5mm
11. INSULATOR MUST WITHSTAND A 6 LBS. MIN.
AXIAL FORCE AFTER STAKING OPERATION

7	FERRULE	COPPER	NEXCOTE	1
6	GASKET	SILICONE	RED	1
5	LOCK WASHER	BRASS	NEXCOTE	1
4	HEX NUT	BRASS	NEXCOTE	1
3	CONTACT PIN	BERYLLIUM COPPER	GOLD	1
2	INSULATOR	PTFE	NATURAL	1
1	BODY	BRASS	NEXCOTE	1
	DESCRIPTION	MATERIAL	FINISH	QTY

UNLESS OTHERWISE SPECIFIED DIMENSIONS ARE IN MILLIMETERS. DIMENSIONS IN [] ARE IN INCHES AND FOR CUSTOMER REFERENCE ONLY.	APPROVALS	DATE
	DRAWN M.ZHANG	11/15/11
UNLESS OTHERWISE SPECIFIED TOLERANCES FOR MILLIMETERS ARE: 0.5 - 8mm ± 0.20mm 8 - 30mm ± 0.40mm 30 - 120mm ± 0.50mm	CHECKED	
	ISSUED	
UNLESS OTHERWISE SPECIFIED TOLERANCES FOR INCHES ARE: .020 - .315 = ± 0.007" .315 - 1.180 = ± 0.015" 1.180 - 4.724 = ± 0.020"	SHEET 1 OF 1	
	CAD FILE	C:/CONNEX/134106.DWG
DO NOT SCALE DRAWING		

<h1>Amphenol Connex</h1>			
PART DESCRIPTION QMA JACK BULKHEAD - 50 ohm (FOR RG-58 TYPE CABLE)			
PART NO. 134106			
DWG. NO.	134106.DWG	REV.	NC
SIZE	A	SCALE	NA

Mouser Electronics

Authorized Distributor

Click to View Pricing, Inventory, Delivery & Lifecycle Information:

[Amphenol:](#)

[134106](#)