

MFG. ENG.	APPROVED BY:	DATE:	QA	APPROVED BY:	DATE:
-----------	--------------	-------	----	--------------	-------

ASS'Y P/N	CONTACT QTY.	CABLE O.D. RANGE
W18280-2PG-P-311	2	0.09 - 0.14 [2.3 - 3.6]
W18280-2PG-P-315	2	0.15 - 0.17 [3.8 - 4.3]
W18280-2PG-P-318	2	0.18 - 0.20 [4.6 - 5.1]
W18280-3PG-P-311	3	0.09 - 0.14 [2.3 - 3.6]
W18280-3PG-P-315	3	0.15 - 0.17 [3.8 - 4.3]
W18280-3PG-P-318	3	0.18 - 0.20 [4.6 - 5.1]
W18280-XPG-P-3XX		

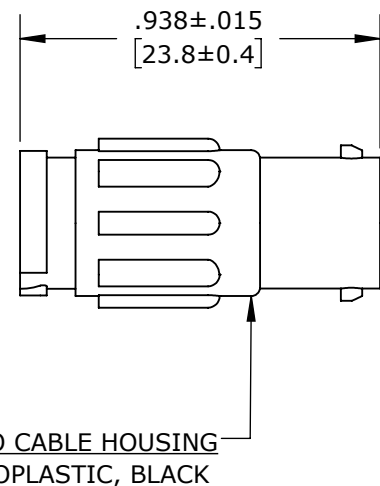
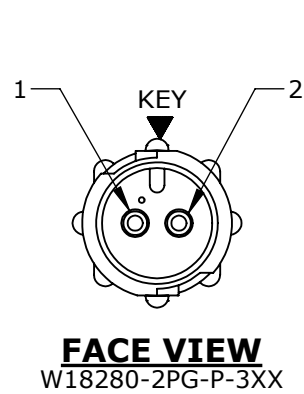
**NOTES:**

1. ALL PARTS ARE BULK PACKED.
2. REFER TO DRAWING HPMCSTD FOR CONTACT PATTERNS.
3. ALL DIMENSIONS ARE REFERENCE ONLY IN INCHES [mm], WITHIN ±0.015 UNLESS OTHERWISE NOTED.

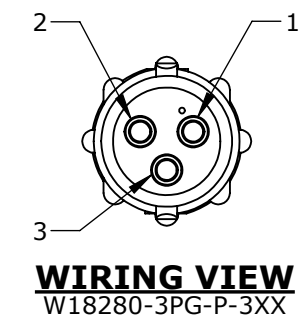
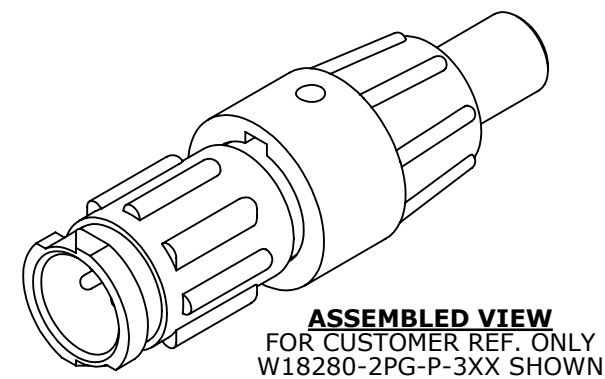
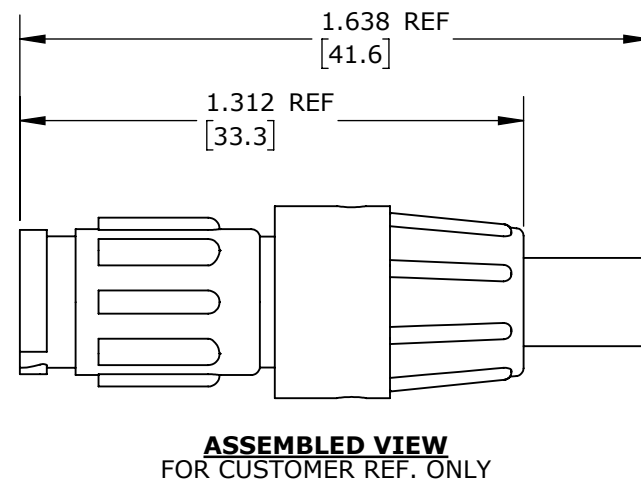
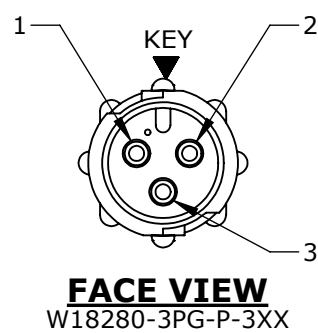
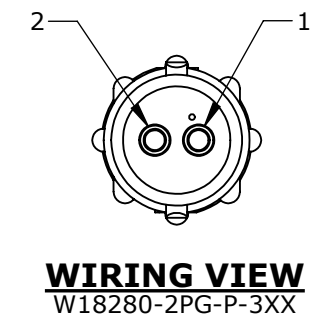
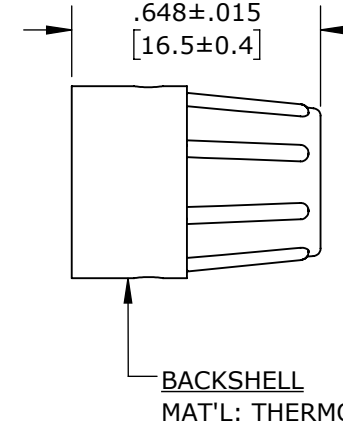
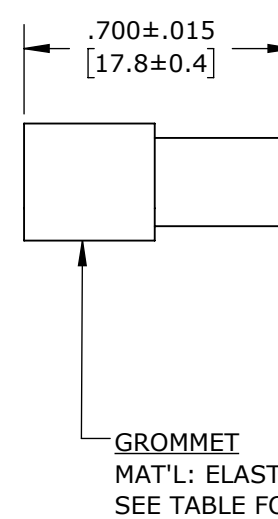
# OF CONTACTS

GROMMET SIZE = CABLE O.D. RANGE:

- 311 = 0.09 - 0.14 [2.3 - 3.6]
- 315 = 0.15 - 0.17 [3.8 - 4.3]
- 318 = 0.18 - 0.20 [4.6 - 5.1]



(2-3) # 20 PIN CONTACTS  
CRIMP TAIL  
MAT'L: GOLD PLATED, COPPER ALLOY



**CUSTOMER APPROVAL**

THIS DOCUMENT CONTAINS CONFIDENTIAL INFORMATION PROPRIETARY TO CONXALL CORPORATION. ANY REPRODUCTION, DISCLOSURE, OR USE OF THIS DOCUMENT /INFORMATION IS EXPRESSLY PROHIBITED UNLESS AUTHORIZED IN WRITING BY CONXALL CORPORATION.

APPROVED BY: \_\_\_\_\_  
DATE: \_\_\_\_\_

**RoHS COMPLIANT**

**PRELIMINARY**

DIMENSIONS IS BRACKETS [ ] ARE METRIC

0A	JGK	8/22/19	DRAWING CREATED FOR PDR #18004.		
REV.	INIT.	DATE	DESCRIPTION		
			ALL INFORMATION ILLUSTRATED IS THE PROPERTY OF "CONXALL CORPORATION". UNAUTHORIZED DUPLICATION OR DISTRIBUTION OF THIS DOCUMENT IS PROHIBITED.  ALL UNITS ARE IN FEET, INCHES, FRACTION OF INCHES AND DECIMALS.  UNLESS OTHERWISE SPECIFIED TOLERANCES: 3 PLACE DECIMALS ±.005 ANGLES ±1° FRACTIONS ±1/16 ▽ - CRITICAL CHARACTERISTIC FLAG PER SPEC. XXXX	ORIG. DRAWN BY: JGK DATE: 8/22/19  CHECKED BY:  APPROVED BY:  SCALE: NTS SIZE: B SHEET: 1 OF 1 FILE: W18280-XPG-P-3XX DIRECTORY: SLW	 601 E. WILDWOOD VILLA PARK, IL 60181  TITLE: CABLE TO CABLE CONN. ASS'Y (2-3) #20 PIN CONTACTS, CRIMP TAIL INSTA-CLICK, MICRO-CON-X STANDARD PRODUCT CUSTOMER: PART NUMBER: W18280-XPG-P-3XX REV: 0A

CUSTOMER PRINT

PART NUMBER: W18280-XPG-P-3XX

# Mouser Electronics

Authorized Distributor

Click to View Pricing, Inventory, Delivery & Lifecycle Information:

## Switchcraft:

[W18280-2PG-P-315](#) [W18280-3PG-P-315](#) [W18280-2PG-P-318](#) [W18280-2PG-P-311](#) [W18280-3PG-P-311](#) [W18280-3PG-P-318](#)