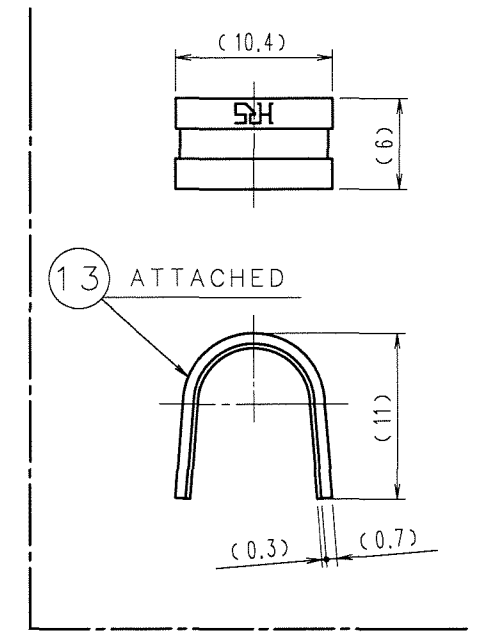
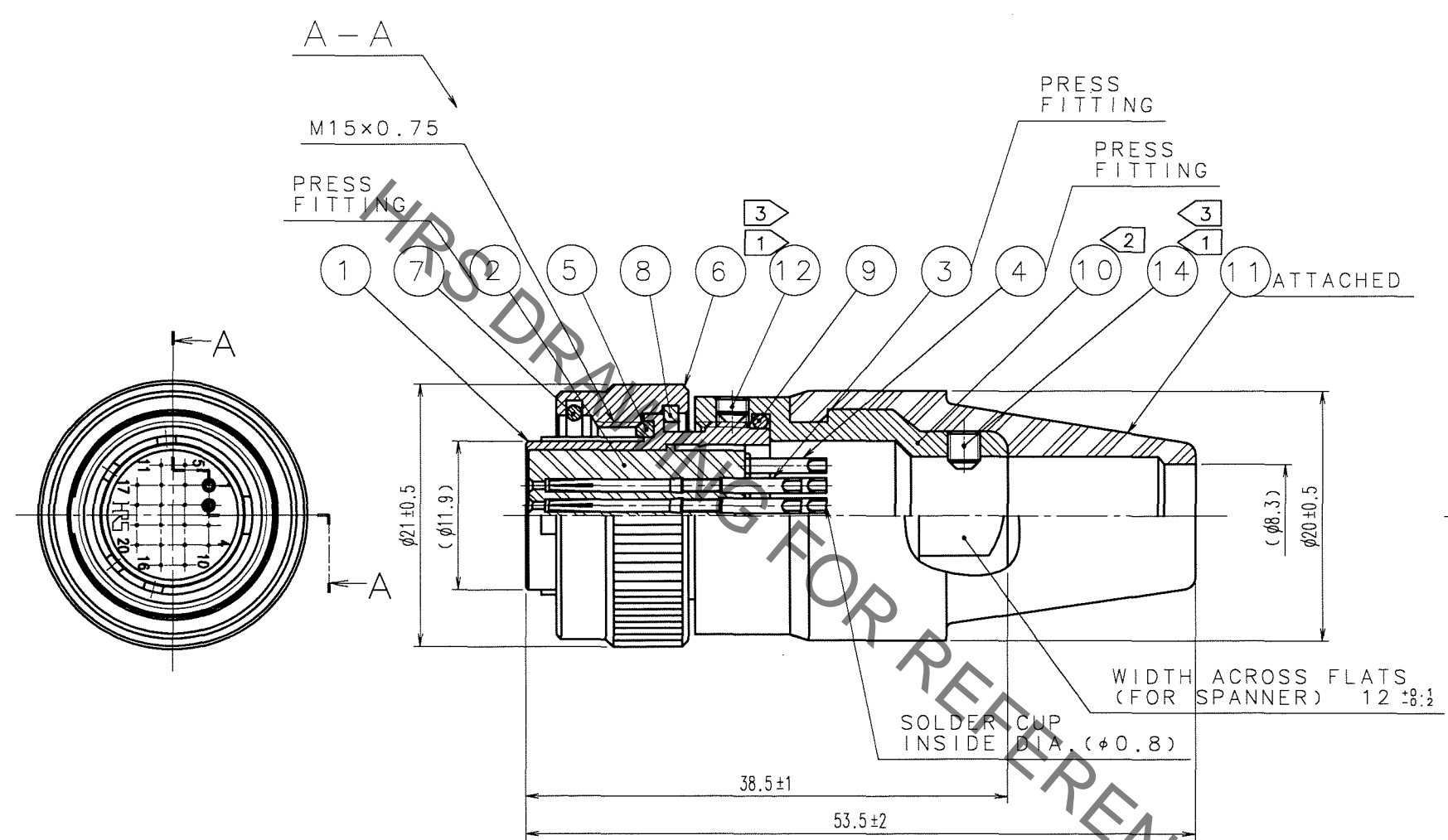


Jun.1.2021 Copyright 2021 HIROSE ELECTRIC CO., LTD. All Rights Reserved.
In case of consideration for using Automotive equipment / device which demand high reliability, kindly contact our sales window correspondents.

COUNT	DESCRIPTION OF REVISIONS	BY	CHKD	DATE	COUNT	DESCRIPTION OF REVISIONS	BY	CHKD	DATE
△					△				
△					△				
△					△				



NOTE: ① ACROSS FLATS OF HEXAGON SOCKET OF REF.NO. ⑫, ⑭: 1.27.
 ② THE RECOMMENDED CLAMP TORQUE OF REF.NO. ⑩: 2 N·m.
 LOCTITE 271, LOCTITE OR EQUIVALENT IS RECOMMENDED TO PREVENT REF.NO. ⑩ FROM LOOSENING.
 ③ THE RECOMMENDED CLAMP TORQUE OF REF.NO. ⑫, ⑭: 0.3 TO 0.4 N·m.
 ④ ROTATION EXAMPLES OF REF.NO. ① AND ⑩ ARE SHOWN.

7	STEEL	ZINC CHROMATED	14	STEEL	NICKEL PLATING M2.6x0.45x3
6	BRASS	NICKEL PLATING	13	BRASS	
5	SIR	(BLACK)	12	STEEL	NICKEL PLATING M2.6x0.45x2
4	BERYLLIUM COPPER	SILVER PLATING 2μm min.	11	NBR	(BLACK)
3	BERYLLIUM COPPER	SILVER PLATING 2μm min.	10	BRASS	NICKEL PLATING
2	PBT	(BLACK) UL94V-0	9	SIR	(BLACK)
1	ZINC ALLOY	NICKEL PLATING	8	PHOSPHOR BRONZE	NICKEL PLATING
NO.	MATERIAL	FINISH, REMARKS	NO.	MATERIAL	FINISH, REMARKS

CODE NO. (OLD)	DRAWN	DESIGNED	CHECKED	APPROVED	RELEASED
	<i>S. Komatsu</i>	<i>S. Komatsu</i>	<i>E. Kurui</i>	<i>M. Saito</i>	
	06.03.20	06.03.20	06.03.20	06.03.20	

	DRAWING NO. EDC3-043812-73	PART NO. HR22-12TPD-20S(73)
SCALE 2 : 1	HIROSE ELECTRIC CO., LTD.	CODE NO. CL122-0011-2-73
UNITS mm		1/1

TO
R

Mouser Electronics

Authorized Distributor

Click to View Pricing, Inventory, Delivery & Lifecycle Information:

[Hirose Electric:](#)

[HR22-12TPD-20S\(73\)](#)