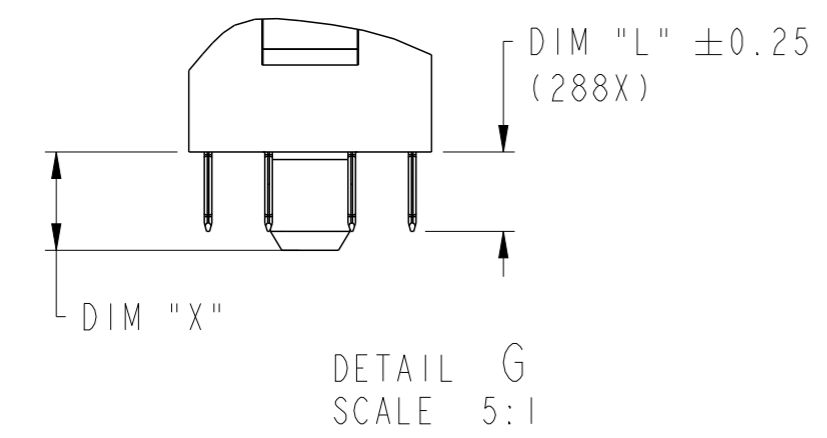
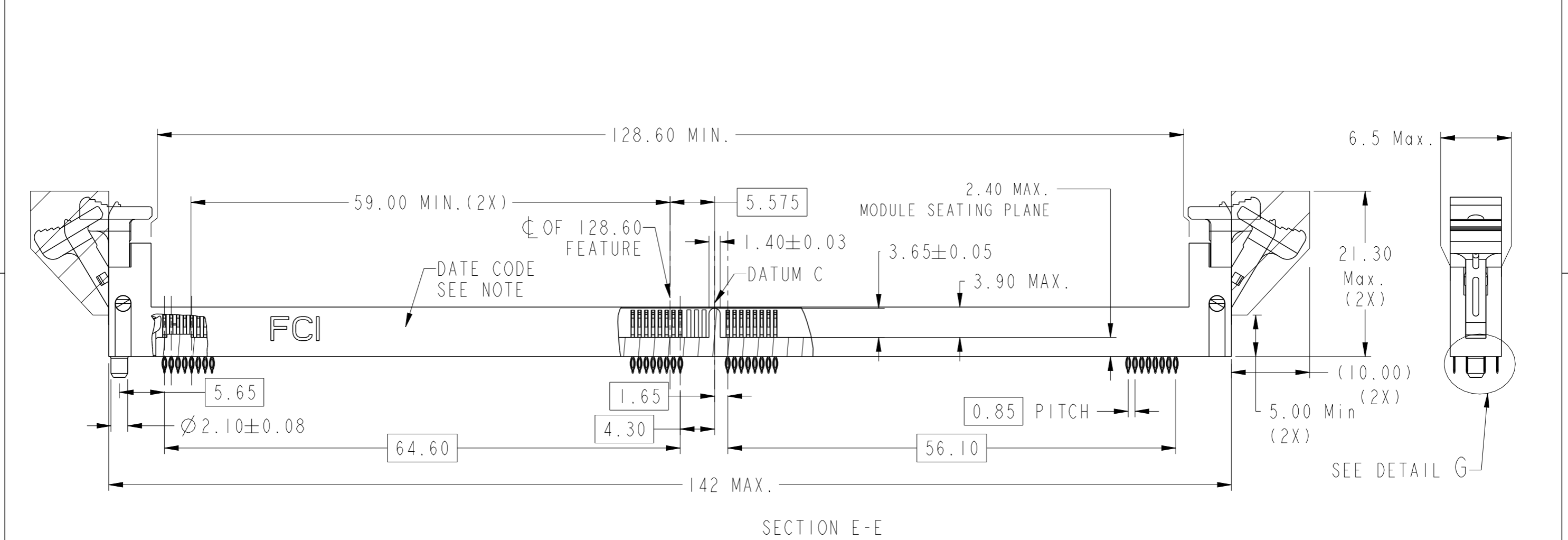
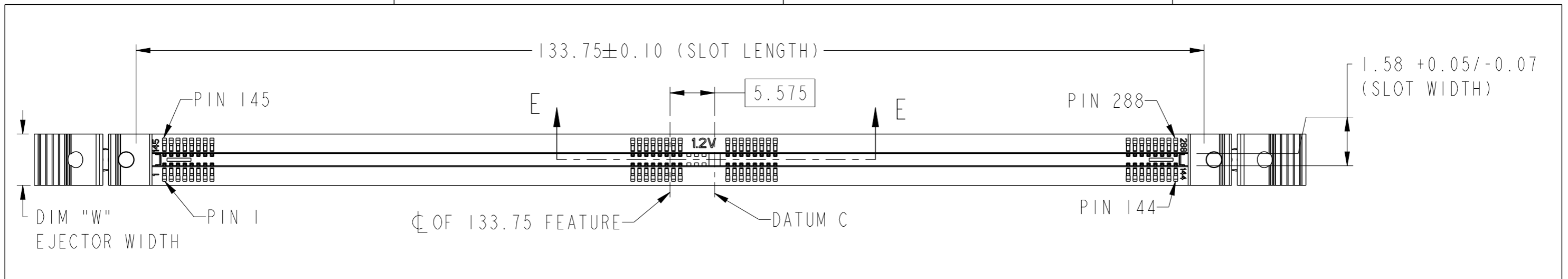


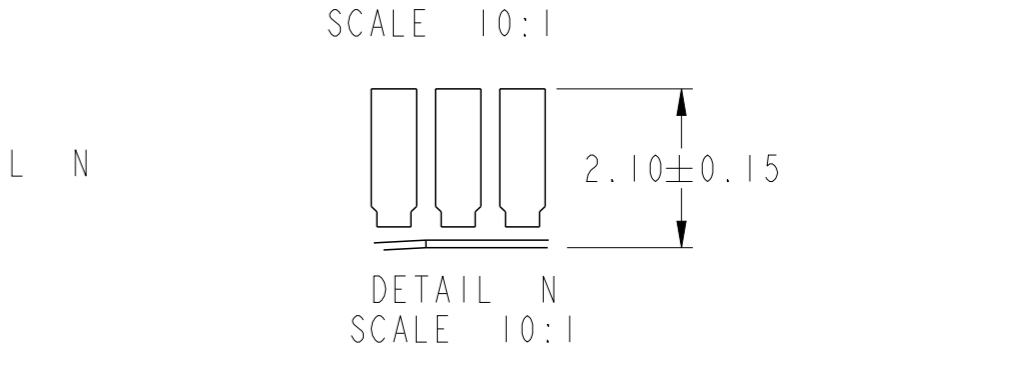
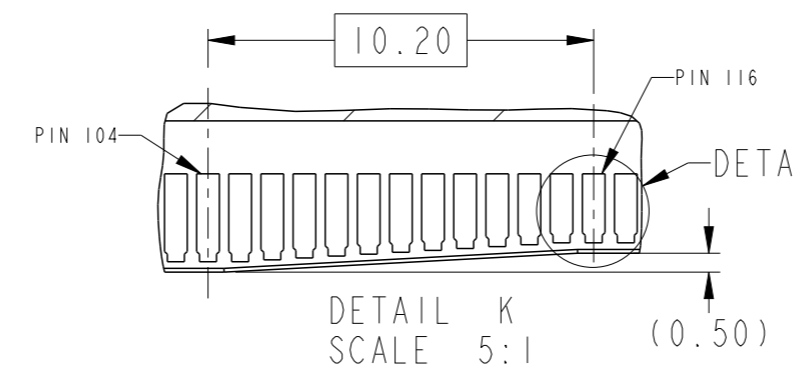
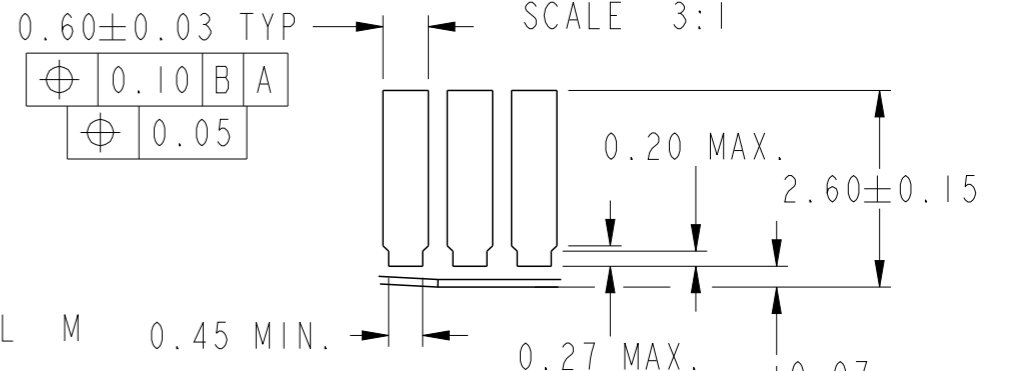
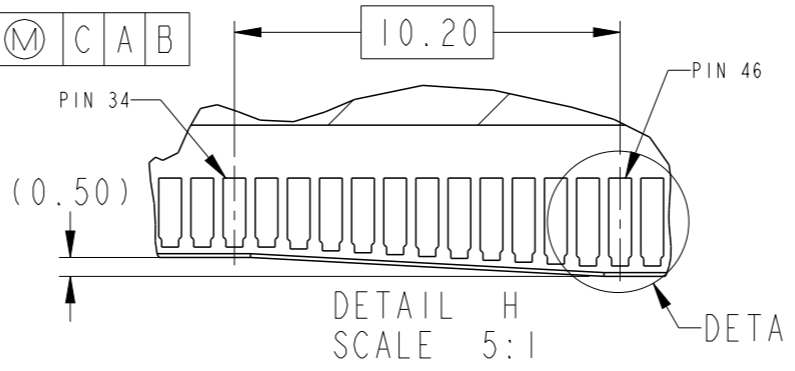
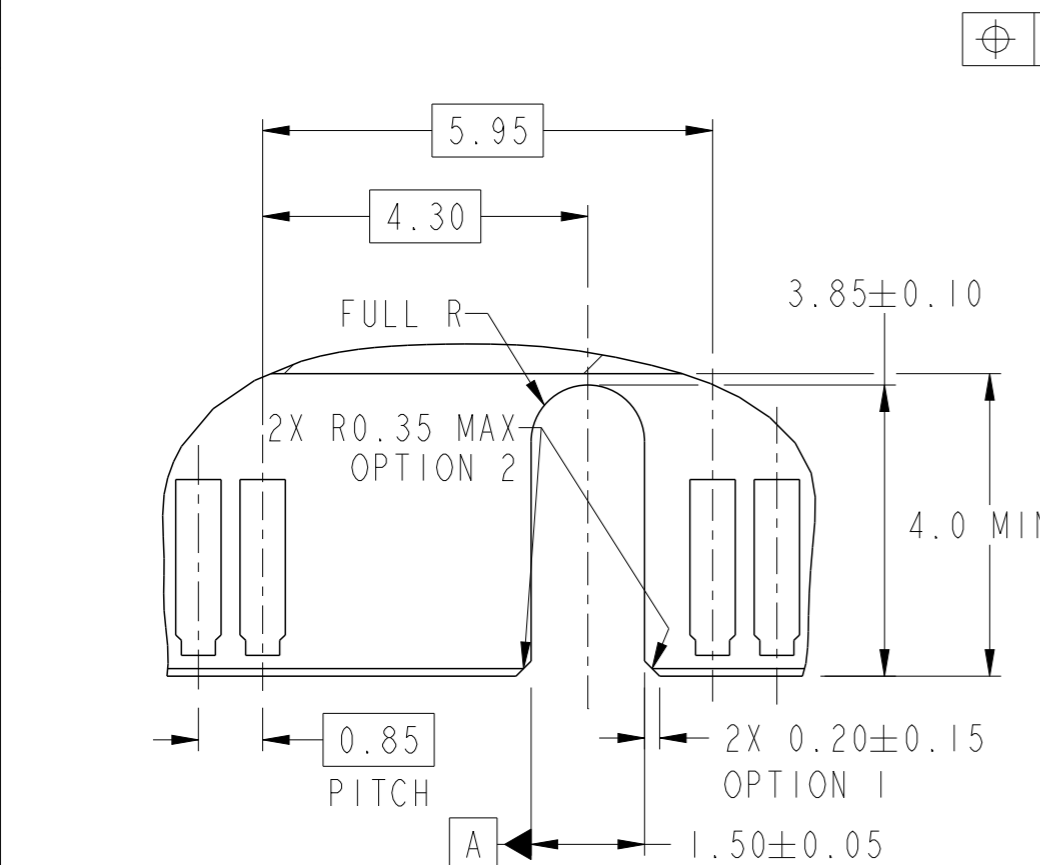
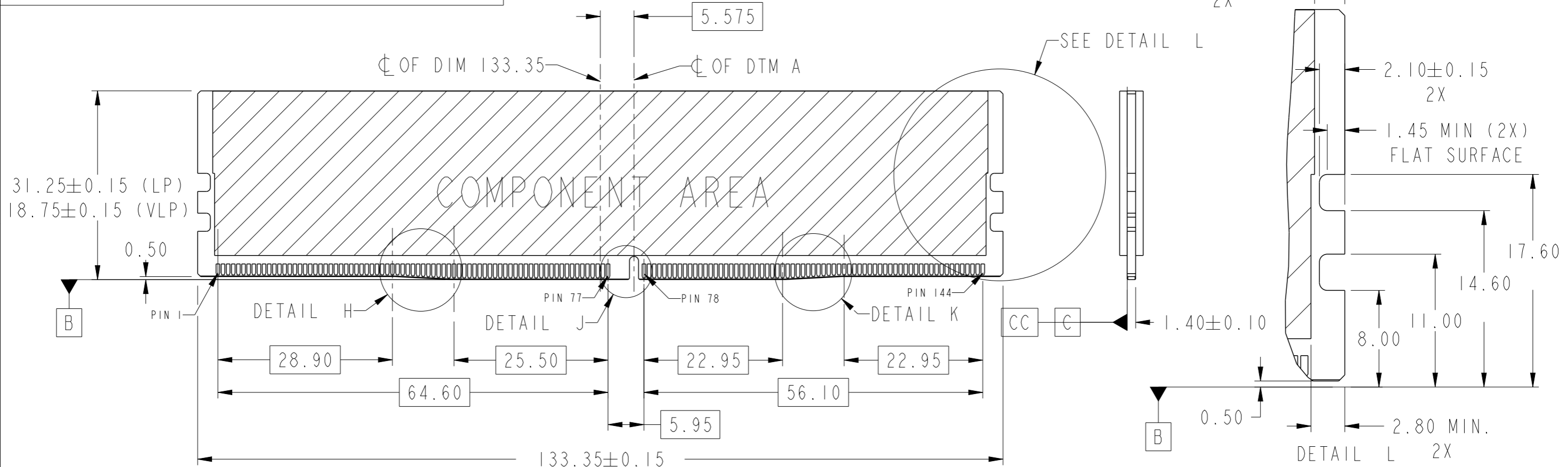
Amphenol  
FCi

© 2016 AFCI



spec ref	dr	Nickor Zuo	2013/06/02	projection	MM	size	A3	scale	2:1	
tolerance std	eng	Cheong, Mathe	2020/02/25			ecn no	ELX-S-36113-1			
TOLERANCES UNLESS OTHERWISE SPECIFIED		chr	-			rel level	Released			
surface	appr	Koon-Poh Tay	2020/03/03	product family	-	dwg no	10124806		rev	F
ISO 1302	linear	0.X	±0.30	Amphenol FCI		DDR4 288Pin DIMM CONNECTOR		www.fci.com		
	angular	0°	±2°	www.fci.com		cat. no.		Product - Customer Drw		
				PRESS FIT TERMINATION		sheet 1 of 4		PDS: Rev :F		
				Product - Customer Drw		STATUS:Released		Printed: Mar 03, 2020		

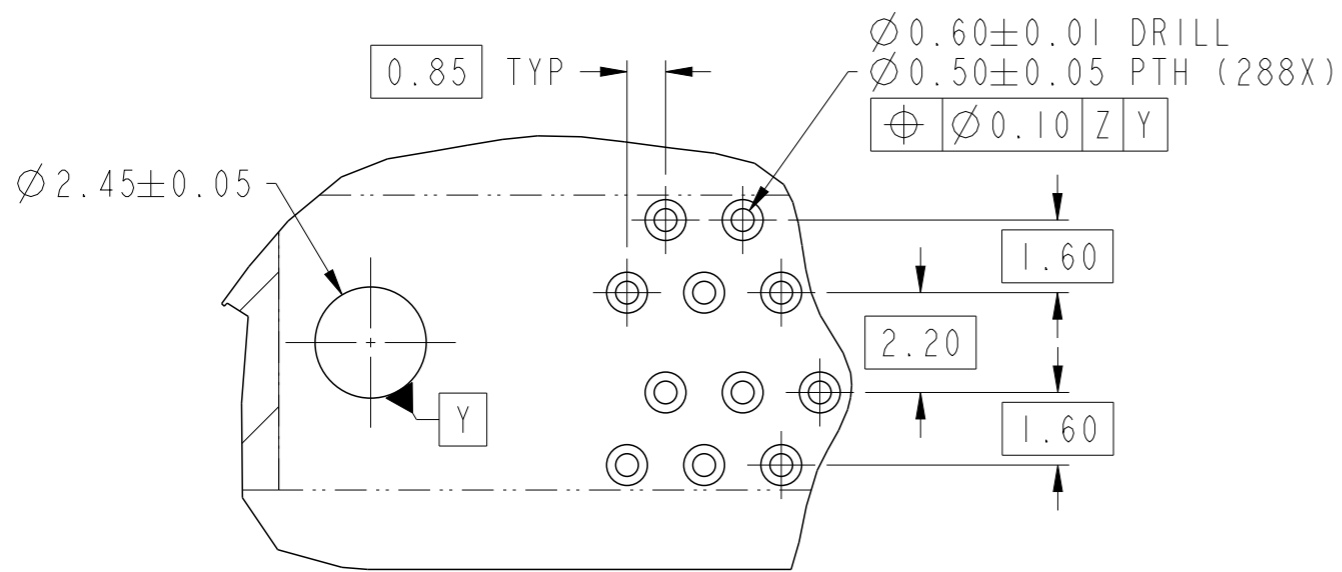
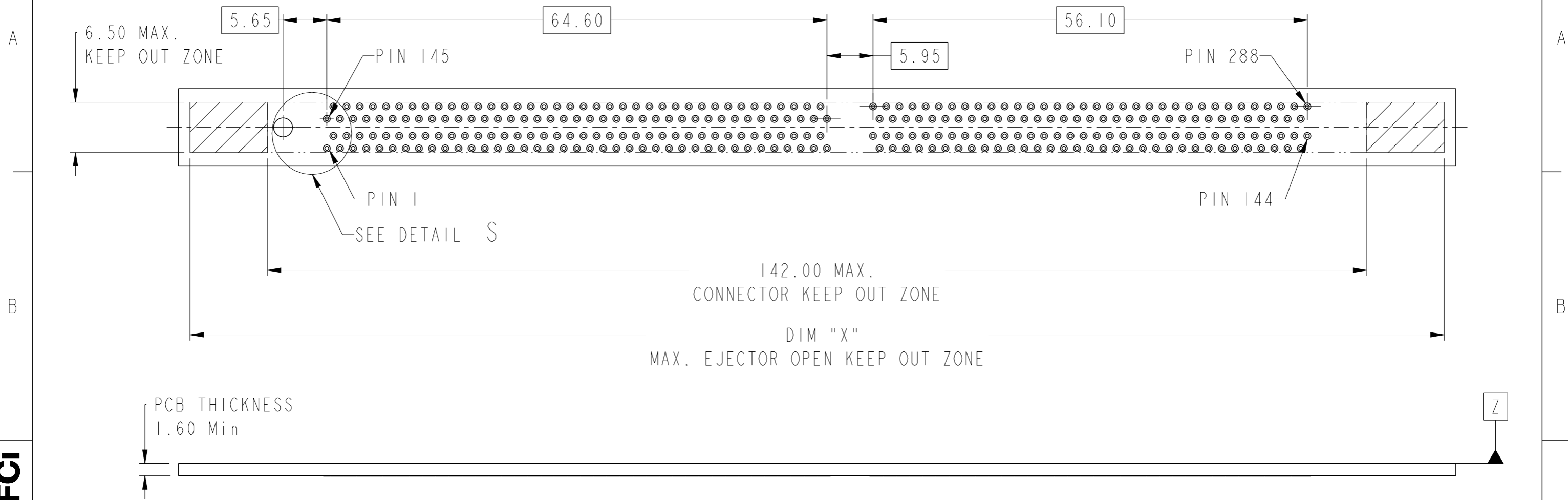
DDR4 MODULE  
 MORE INFORMATION REFER TO JEDEX MO-309



spec ref	dr	Nickor Zuo	2013/06/02	projection	MM	size	A3	scale	3:2		
tolerance std	eng	Cheong, Mathe	2020/02/25			ecn no	ELX-S-36113-1				
TOLERANCES UNLESS OTHERWISE SPECIFIED						product family	-	rel level	Released		
surface	linear	0.X	±0.30			<b>Amphenol FCI</b> DDR4 288Pin DIMM CONNECTOR PRESS FIT TERMINATION		dwg no 10124806		rev	F
		0.XX	±0.20								
		0.XXX	±0.10								
ISO 1302	angular	0°	±2°	www.fci.com	cat. no.	-	Product - Customer Drw	sheet 2 of 4			

© 2016 AFCI  
 Amphenol FCI

# RECOMMENDED PCB LAYOUT



DETAIL S  
SCALE 6:1

spec ref	dr	Nickor Zuo	2013/06/02	projection	MM	size	A3	scale	2:1	
tolerance std	eng	Cheong, Mathe	2020/02/25			ecn no	ELX-S-36113-1			
TOLERANCES UNLESS OTHERWISE SPECIFIED		chr	-			product family	-	rel level	Released	
surface	linear	0.X	±0.30			dwg no	10124806		rev	F
		0.XX	±0.20	www.fci.com		cat. no.	-	Product - Customer Drw	sheet 3 of 4	
		0.XXX	±0.10	DDR4 288Pin DIMM CONNECTOR						
	angular	0°	±2°	PRESS FIT TERMINATION						
ISO 1302										

PRODUCT PART NUMBER

10124806-□□□□□LF

EON LENGTH, DIM "L"

- 0: L = 2.10
- 2: L = 1.85
- 3: L = 2.53



HOUSING COLOR & POST LENGTH, DIM "X"

- 0: NATURAL, DIM "X" = 2.60
- 1: BLACK, DIM "X" = 2.60
- 2: BLUE, DIM "X" = 2.60
- 3: NATURAL, DIM "X" = 4.30
- 4: BLACK, DIM "X" = 4.30
- 5: BLUE, DIM "X" = 4.30

EJECTOR TYPE

CONTACT AREA PLATING

CONTACTS LUBRICATION

- 0: WITHOUT
- 1: WITH

CODE	CONTACT AREA	UNDERPLATING
1	15u" MIN.GOLD	50u" MIN.NICKEL
3	30u" MIN.GOLD	
4	30u" MIN.GXT	90u" MIN.NICKEL
6	30u" MIN.GOLD	
7	15u" MIN.GOLD	

NOTES:

- MATERIALS:  
HOUSING: HIGH PERFORMANCE RESINS, GLASS FIBER FILLED, UL94 V-0 RATED.  
EJECTOR: HIGH PERFORMANCE RESINS, GLASS FIBER FILLED, UL94 V-0 RATED.  
TERMINAL: COPPER ALLOY
- DATE CODE "MMDDYYL", MMDDYY IS ASSEMBLY DATE, L IS FCI PRODUCTION SITE.
- SPECIFICATION:  
PRODUCTION SPECIFICATION: FCI GS-12-1092.  
PACKAGE SPECIFICATION: FCI GS-14-2267.  
APPLICATION SPECIFICATION: FCI GS-20-0353.
- LEAD FREE PRODUCT MEETS EUROPEAN UNION DIRECTIVES AND OTHER COUNTRY REGULATIONS AS DESCRIBED IN FCI GS-22-008.
- A SYMBOL WILL BE NEXT TO ANY DIMENSION, VIEW, OR NOTE WHICH HAS BEEN MODIFIED WITH THE CURRENT DRAWING REVISION.

CODE	COLOR	DIM "X1" MAX. EJECTORS OPEN DISTANCE	DIM "X2" MAX. EJECTORS CLOSE DISTANCE	DIM "W" EJECTOR WIDTH	EJECTOR TYPE	EJECTOR FIGURE
0	NATURAL	162.00	149.00	(6.42)	SOLID	
1	BLACK					
3	NATURAL	152.00	142.00	(6.42)	HOLLOW	
4	BLACK					
5	NATURAL	162.00	149.00	(6.42)	HOLLOW	
6	BLACK					

spec ref	dr	Nickor Zuo	2013/06/02	projection	MM	size	A3	scale	1:1
tolerance std	eng	Cheong, Matthe	2020/02/25		← →	ecn no	ELX-S-36113-1		
TOLERANCES UNLESS OTHERWISE SPECIFIED							product family	-	rel level
surface -	linear	0.X	±0.30	Amphenol FCI	DDR4 288Pin DIMM CONNECTOR	dwg no	10124806		rev
		0.XX	±0.20						
0.XXX	±0.10								
ISO 1302	angular	0°	±2°	www.fci.com	cat. no.	-	Product - Customer Drw	sheet 4 of 4	