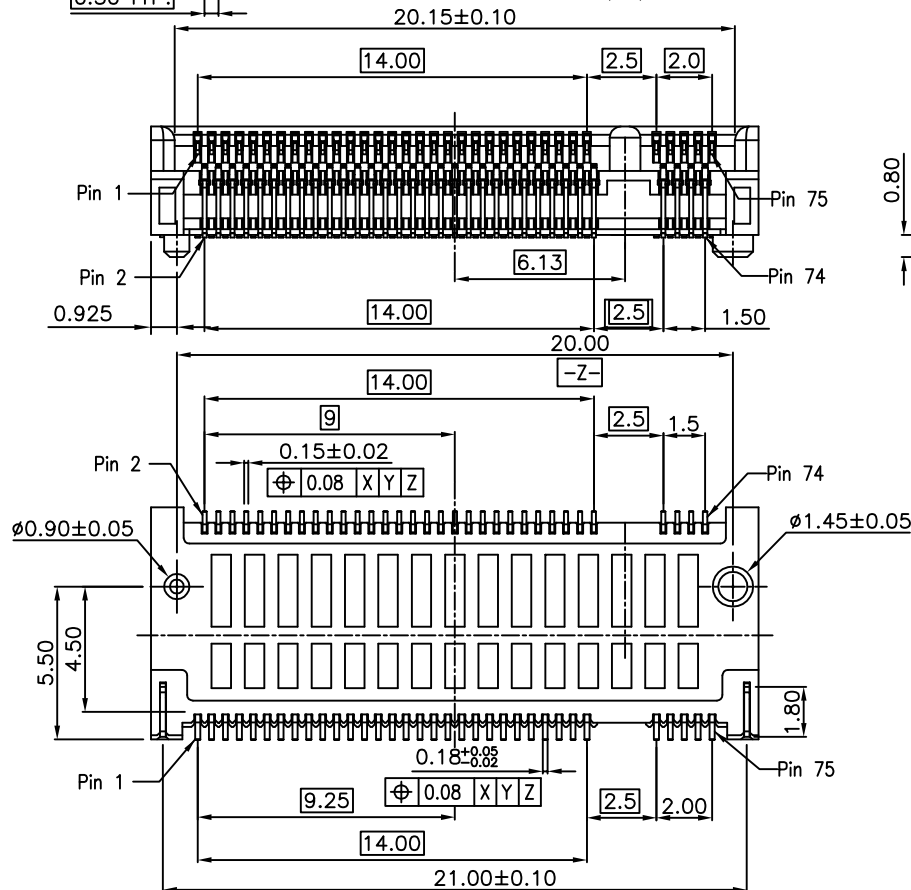
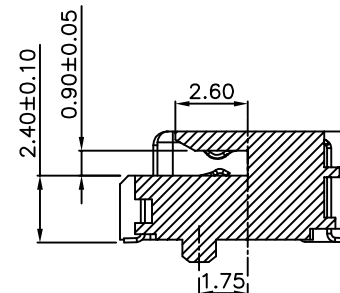
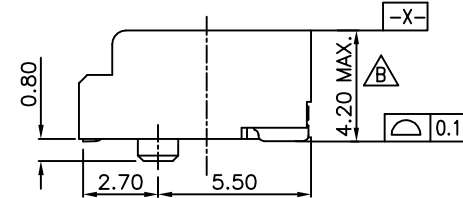
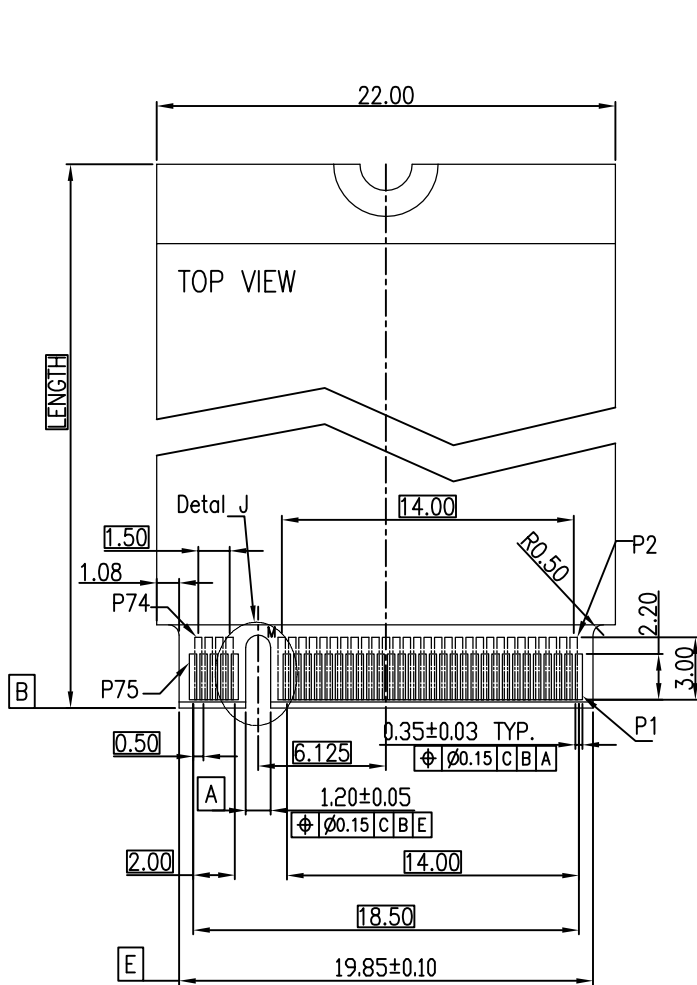


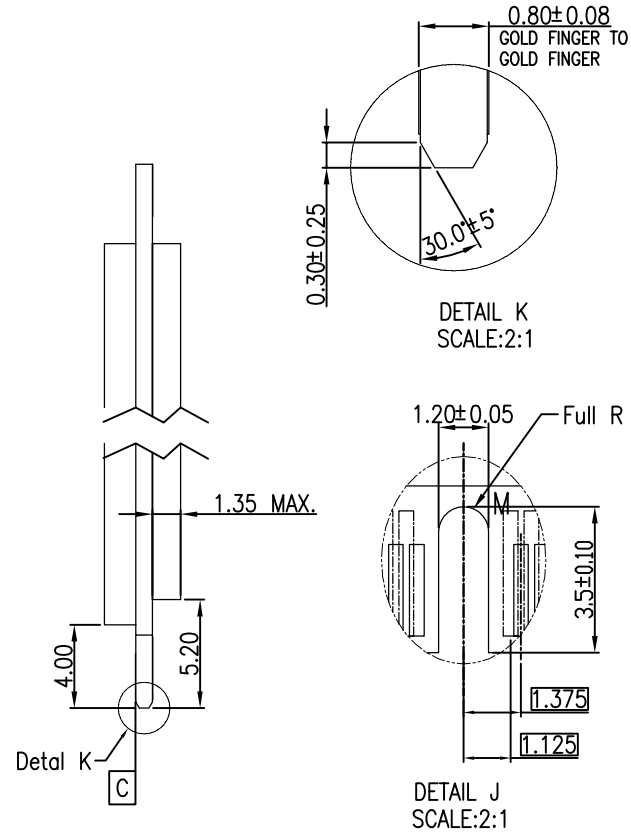
DATUM X1 IS THE TOP OF SURFACE OF PCB.
RECOMMENDED P.C.B LAYOUT



mat'l. code	-	surface	-	tolerance	ASME_Y14.5	projection	product family	M.2
ltr	ecn no	dr	date	tolerances unless otherwise specified		MM	title	M.2_CONNECTOR
A		TAI	2014/08/08	angles	.0±.0.30	MM	H4.2MM	
B	ELX-T-20858	TAI	2015/05/11	linear	.00±.0.20	MM		
C	ELX-T-38297	WZ	2020/10/12	±2'	.000±.0.10	scale N/A		
		dr	WINSTON_ZHU	2020-10-12			Amphenol FCI	dwg no
		eng	ZHENHUA_LIU	2020-10-12				sheet 1 of 2
		chr						size
		appd	HEAVEN_CEN	2020-10-12				A4
sheet index	revision	C						type
	sheet							CUSTOMER Drawing



RECOMMENDED MODULE CARD LAYOUT
TOLERANCE ±0.05 (TOP VIEW)



mat'l. code	-	surface	✓	tolerance	ASME_Y14.5	projection	⊕	product family	M.2
tr	ecn	no	dr	date	tolerances unless otherwise specified	MM	MM	title	M.2_CONNECTOR H4.2MM
					angles	linear	MM		
					±2'	linear	scale N/A		
			dr	WINSTON ZHU	2020-10-12			dwg no	sheet 2 of 3 size
			eng	ZHENHUA LIU	2020-10-12			10130616	A4
			chr						
			app	HEAVEN_CEN	2020-10-12			type	CUSTOMER Drawing
sheet	revision	c							
index	sheet								

NOTES:

1. MATERIAL :
 - 1.1 HOUSING: THERMOPLASTIC, HIGH TEMPERATURE, UL94 V-0, COLOR: BLACK.
 - 1.2 CONTACT: COPPER ALLOY.
 - 1.3 FITTING NAIL: COPPER ALLOY.
2. FINISH :
 - 2.1 CONTACT
[SEE TABLE] GOLD PLATING ON THE CONTACT AREA.
GOLD FLASH PLATING ON THE SOLDERING AREA.
1.27um~2.54um [50u"~100u"] MIN. NICKEL UNDERPLATING OVERALL.
 - 2.2 FITTING NAIL
2.54um~5.08um [100u"~200u"] MIN. MATTE-TIN PLATING ON THE SOLDERING AREA.
1.27um~2.54um [50u"~100u"] MIN. NICKEL UNDERPLATING OVERALL.
- DATE CODE : YYWWDLX
 YY : YEAR (14: 2014)
 WW : WEEK (25: 25TH WEEK)
 D : DAY (1~7: SUNDAY~SATURDAY)
 L : LINE NUMBER OF ASSEMBLY (A: LINE A)
 X : D OR N (D: DAY, N: NIGHT)
4. THE HOUSING WILL WITHSTAND EXPOSURE TO 260°C PEAK TEMPERATURE FOR 10 SECONDS IN A CONVECTION, INFRA-RED OR VAPOR PHASE REFLOW OVEN.
5. PRODUCTOR SPECIFICATION: GS-12-1248.
6. PACKAGE SPECIFICATION: GS-14-2404.

PART NO.:

10130616-067 R X X LF

67 CONTACTS

PACKING OPTIONS
R: TAPE & REEL

LEAD FREE

KEY ID OPTIONS
KEY ID: A, B, C, D, E, F
G, H, J, K, L
BLANK: M Key

CONTACT AREA PLATING
2: GOLD FLASH
C: 15u" GOLD
D: 30u" GOLD

1.125	1.375	9.5	6.0	9.5	6.5	-1.625	F
1.125	1.375	10.5	5.0	10.5	5.5	-2.625	E
1.125	1.375	11.5	4.0	11.5	4.5	-3.625	D
1.125	1.375	12.5	3.0	12.5	3.5	-4.625	C
1.125	1.375	13.5	2.0	13.5	2.5	-5.625	B
1.125	1.375	14.5	1.0	14.5	1.5	-6.625	A
DIM. G	DIM. F	DIM. E	DIM. D	DIM. C	DIM. B	DIM. A	KEY ID

1.375	1.125	1.5	14.0	2.0	14.0	6.125	M
1.375	1.125	2.5	13.0	3.0	13.0	5.125	L
1.375	1.125	3.5	12.0	4.0	12.0	4.125	K
1.375	1.125	4.5	11.0	5.0	11.0	3.125	J
1.375	1.125	5.5	10.0	6.0	10.0	2.125	H
1.375	1.125	6.5	9.0	7.0	9.0	1.125	G
DIM. G	DIM. F	DIM. E	DIM. D	DIM. C	DIM. B	DIM. A	KEY ID

mat'l. code	surface	tolerance	projection	product family
-	-	ASME_Y14.5		M.2
itr	ecn	no	dr	date
tolerances unless otherwise specified				title
angles	parallel	perpendicular	MM	M.2_CONNECTOR
			scale N/A	H4.2MM
dr	eng	chr	app	date
WINSTON ZHU	ZHENHUA LIU		HEAVEN_CEN	2020-10-12
sheet				revision
index				sheet
dwg no				sheet 3 of 3
10130616				size A4
type				CUSTOMER Drawing