

USB Type C Sealed Connector, Cable Assembly and Dust Cap

multicomp PRO

MP002443 USB 3.1 Type C Plastic C2 Panel Jack Lock Dip

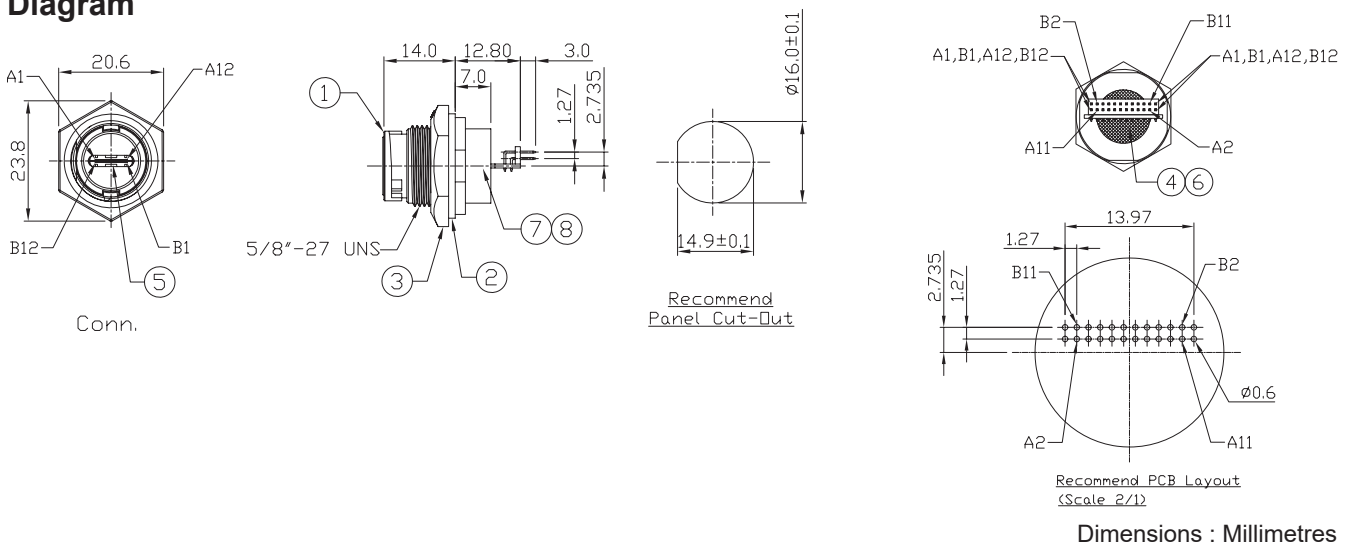
**RoHS
Compliant**



Specifications

IP Rating : IP67
 Recommend Panel Thickness : 0.8mm to 3mm
 Recommend Torque : 9 to 10Kgf-cm

Diagram



No.	Part Name	Material/Finish	Qty.
1	Housing	Thermoplastic, Colour: Black	1
2	Gasket	Silicone; Colour: Black	
3	Hex Nut	Thermoplastic, Colour: Black	
4	Hold	Silicone; Colour: Black	
5	USB Type C 3.1	Housing: Thermoplastic, Colour: Black Contacts: Copper Alloy, Finish: Au 30µ" Plated Shell: Stainless Steel, Finish: Au Plated	
6	Glue	Epoxy; Colour: Black	-
7	PCB	FR-4	1
8	Pin Header	Housing: Thermoplastic; Colour: Black Contacts: Copper Alloy, Finish: Au Plated	

Newark.com/multicomp-pro
 Farnell.com/multicomp-pro
 Element14.com/multicomp-pro

multicomp PRO

USB Type C Sealed Connector, Cable Assembly and Dust Cap



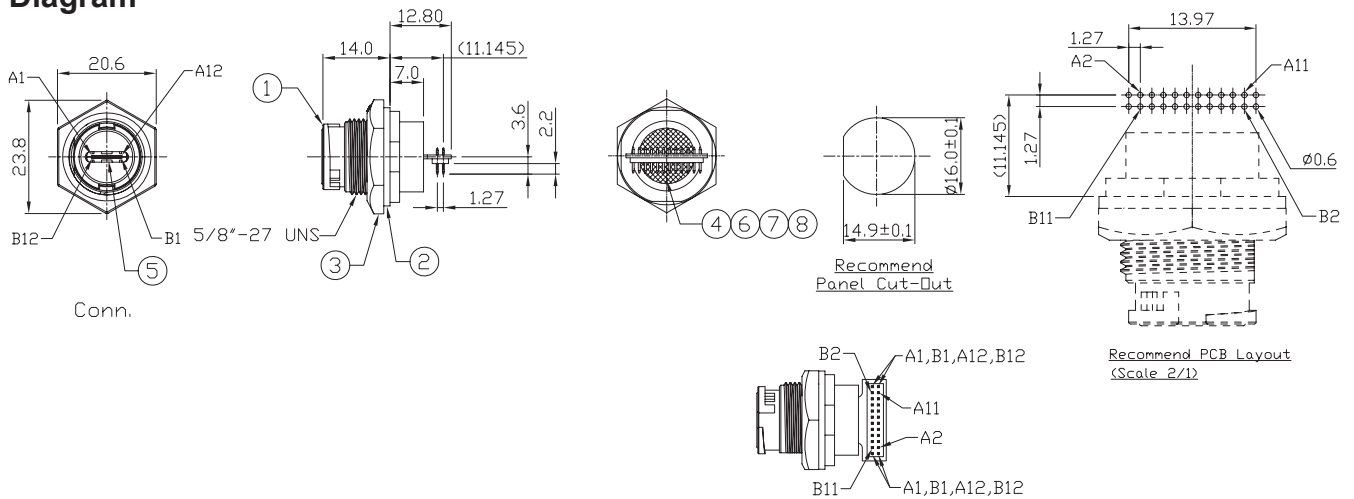
MP002444 USB 3.1 Type C Plastic C2 Panel Jack lock Dip 90 Deg.



Specifications

IP Rating : IP67
 Recommend Panel Thickness : 0.8mm to 3mm
 Recommend Torque : 9 to 10Kgf-cm

Diagram



Dimensions : Millimetres

No.	Part Name	Material/Finish	Qty.
1	Housing	Thermoplastic, Colour: Black	1
2	Gasket	Silicone; Colour: Black	
3	Hex Nut	Thermoplastic, Colour: Black	
4	Hold	Silicone; Colour: Black	
5	USB Type C 3.1	Housing: Thermoplastic, Colour: Black	-
		Contacts: Copper Alloy, Finish: Au 30µ" Plated	
		Shell: Stainless Steel, Finish: Au Plated	
6	Glue	Epoxy; Colour: Black	-
7	PCB	FR-4	1
8	Pin Header	Housing: Thermoplastic; Colour: Black	
		Contacts: Copper Alloy, Finish: Au Plated	



USB Type C Sealed Connector, Cable Assembly and Dust Cap

multicomp PRO

MP002445 USB 3.1 Type C Plastic C2 Panel Jack Lock with Type C Plug



Specifications

IP Rating : IP67
Recommend Panel Thickness : 0.8mm to 3mm
Recommend Torque : 9 to 10Kgf-cm

Constructions

- Cable: UL21572 (1P/32#+EAM)×4+(1P /32#+A)+(4C/32#)+(1C/24#)+2EAB 85%
- OD: 4.8mm Black Thermoplastic (TPE) Jacket

Connector

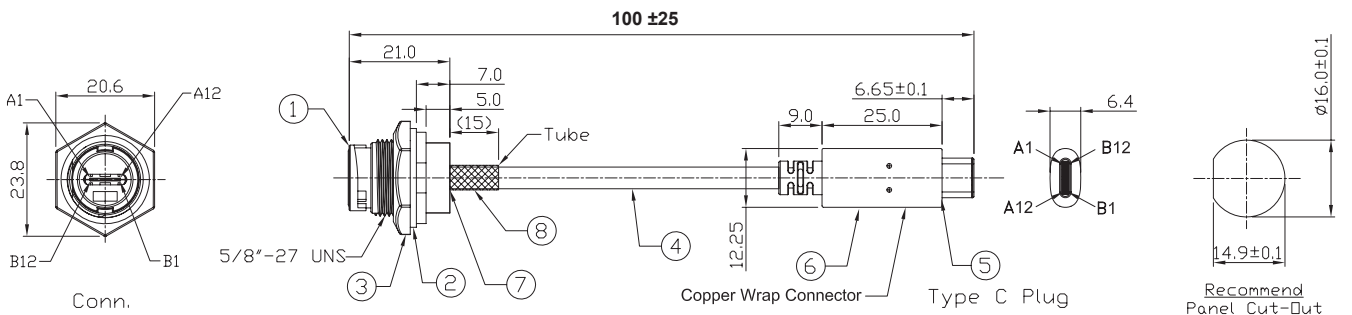
USB C/M

- USB Type C Male Solder Type, PCB without IC,
- Pins: 30μ Gold Plated Over Nickel.
- Insulator: Black Thermoplastic 94V-0 Rated
- Shell: Steel with Gold Plated
- Capacitor
- Molded: Black PVC 45P

USB C/F

- USB Type C Female Solder Type, PCB without IC,
- Pins: 30μ Gold Plated Over Nickel.
- Insulator: Black Colour LCP 94V-0 Rated
- Shell: Steel with Gold Flash

Diagram



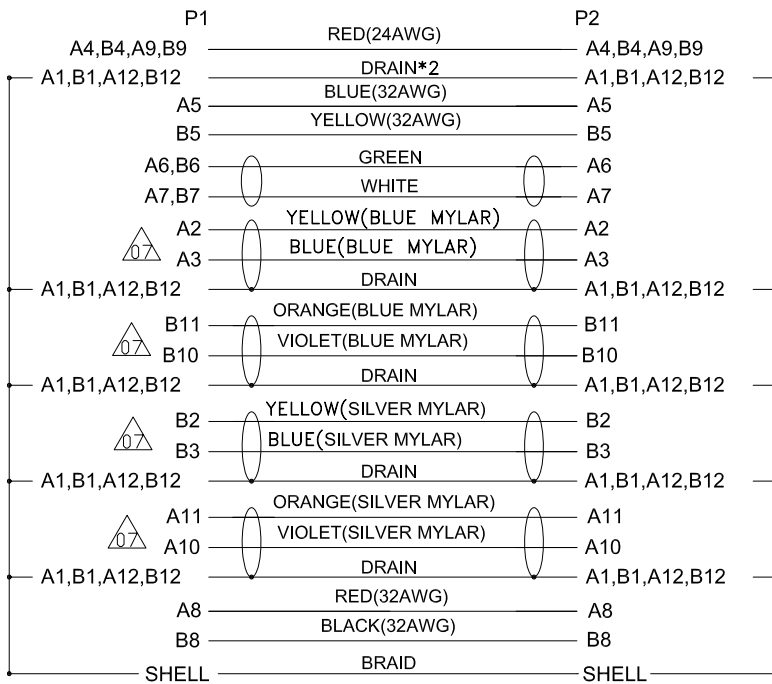
Dimensions : Millimetres

Newark.com/multicomp-pro
Farnell.com/multicomp-pro
Element14.com/multicomp-pro

multicomp PRO

USB Type C Sealed Connector, Cable Assembly and Dust Cap

No.	Part Name	Material/Finish	Qty.
1	Housing	Thermoplastic; Colour: Black	1
2	Gasket	Silicone; Colour: Black	
3	Hex Nut	Thermoplastic; Colour: Black	
4	Cable	UL21572 (1P/32#+EAM)×4+(1P/32#+A)+(4C/32#)+(1C/24#)+2EAB 85% OD:4.8mm Black TPE Jacket	
5	USB Type C 3.1	Housing: Thermoplastic; Colour: Black	
		Contacts: Copper Alloy, Finish: Au Plated	
		Shell: Stainless Steel, Finish: Au Plated	
6	Over Mold	PVC; Colour: Black	
7	Glue	Epoxy; Colour: Black	-
8	Shrink Tube	L=20mm, Heat Shrink Tube 'With Adhesive Lined Colour: Black	1



Conn.

Type C Plug

Wiring Diagram

USB Type C Sealed Connector, Cable Assembly and Dust Cap

multicomp PRO

MP002446 USB 3.1 Type C Plastic C2 Panel Jack Lock with Type C Female



Specifications

IP Rating : IP67
 Recommend Panel Thickness : 0.8mm to 3mm
 Recommend Torque : 9 to 10Kgf-cm

Constructions

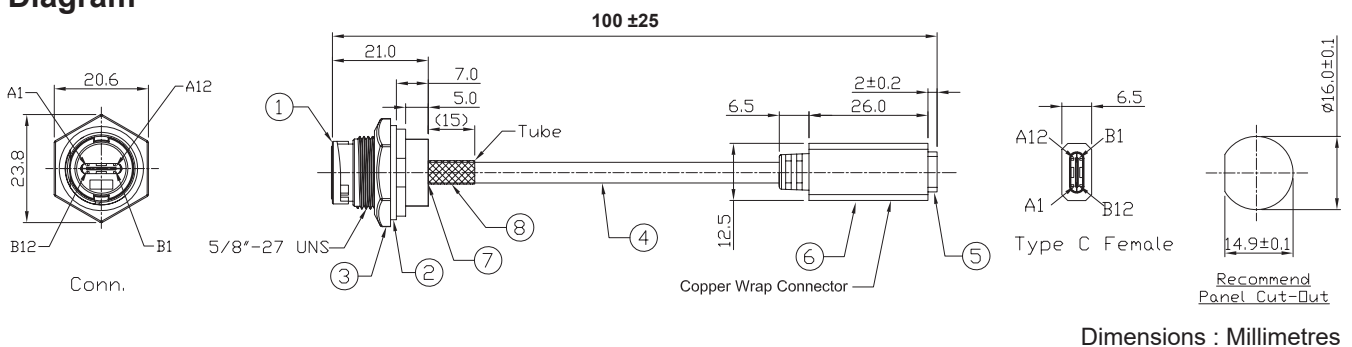
- Cable: UL21572 (1P/32#+EAM)×4+(1P/32#+A)+(4C/32#)+(1C/24#)+2EAB 85%
- OD: 4.8mm Black Thermoplastic (TPE) Jacket

Connector

USB C/F

- USB Type C Female Solder Type, PCB without IC,
- Pins: 30μ Gold Plated Over Nickel.
- Insulator: Black Colour LCP 94V-0 Rated
- Shell: Steel with Gold Flash

Diagram



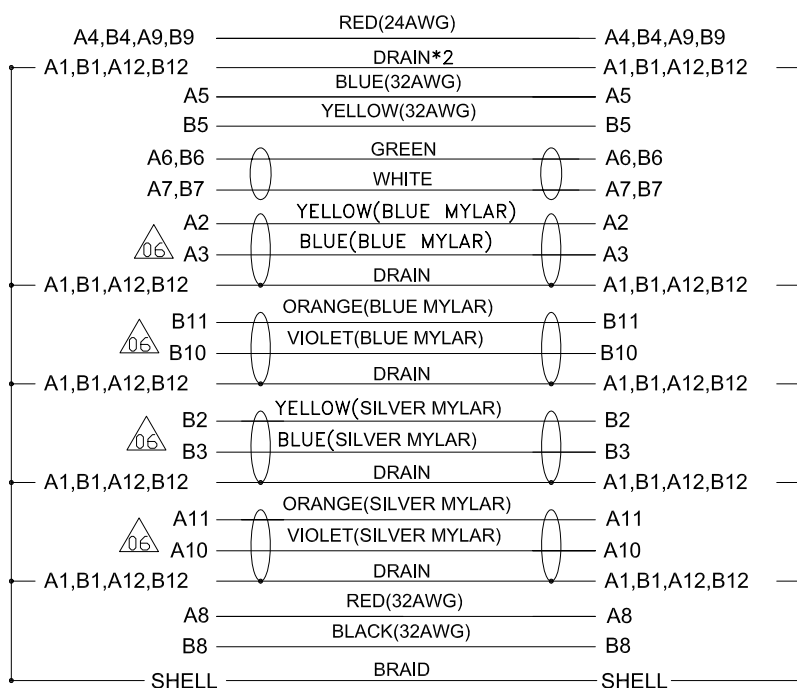
No.	Part Name	Material/Finish	Qty.
1	Housing	Thermoplastic; Colour: Black	1
2	Gasket	Silicone; Colour: Black	
3	Hex Nut	Thermoplastic; Colour: Black	
4	Cable	UL21572 (1P/32#+EAM)×4+(1P/32#+A)+(4C/32#)+(1C/24#)+2EAB 85% OD:4.8mm Black TPE Jacket	

Newark.com/multicomp-pro
 Farnell.com/multicomp-pro
 Element14.com/multicomp-pro

multicomp PRO

USB Type C Sealed Connector, Cable Assembly and Dust Cap

No.	Part Name	Material/Finish	Qty.
5	USB Type C 3.1	Housing: Thermoplastic; Colour: Black	1
		Contacts: Copper Alloy, Finish: Au Plated	
		Shell: Stainless Steel, Finish: Au Plated	
6	Over Mold	PVC; Colour: Black	
7	Glue	Epoxy; Colour: Black	-
8	Shrink Tube	L=20mm, Heat Shrink Tube 'With Adhesive Lined Colour: Black	1



Conn.

Type C Female

Wiring Diagram

USB Type C Sealed Connector, Cable Assembly and Dust Cap



Plastic Cap for C2 Size with Bayonet Mating

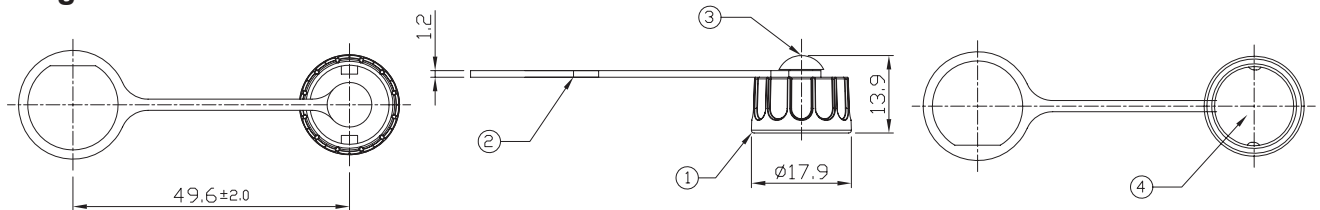
MP002451



Specification

IP Rating : IP67

Diagram



Dimensions : Millimetres

No.	Part Name	Material/Finish	Qty.
1	Lock Cap	Thermoplastic; Colour: Black	1
2	Plastic Chain	Thermoplastic; Colour: Black	
3	Plastic Rivet	Thermoplastic; Colour: Black	
4	Rubber Pad	Silicone; Colour: Black	

Part Number Table

Description	Part Number
USB Type C Sealed Connector, Bayonet, Straight, C2 Panel Mount, IP67	MP002443
USB Type C Sealed Connector, Bayonet, Right Angle, C2 Panel Mount, IP67	MP002444
USB Cable Assembly, USB 3.1, Type C Jack to Type C Plug, 100mm, IP67	MP002445
USB Cable Assembly, USB 3.1, Type C Jack to Type C Jack, 100mm, IP67	MP002446
Dust Cap with Chain, Plastic, C2 Bayonet Panel Mount Connector, IP67	MP002451

Important Notice : This data sheet and its contents (the "Information") belong to the members of the AVNET group of companies (the "Group") or are licensed to it. No licence is granted for the use of it other than for information purposes in connection with the products to which it relates. No licence of any intellectual property rights is granted. The Information is subject to change without notice and replaces all data sheets previously supplied. The Information supplied is believed to be accurate but the Group assumes no responsibility for its accuracy or completeness, any error in or omission from it or for any use made of it. Users of this data sheet should check for themselves the Information and the suitability of the products for their purpose and not make any assumptions based on information included or omitted. Liability for loss or damage resulting from any reliance on the Information or use of it (including liability resulting from negligence or where the Group was aware of the possibility of such loss or damage arising) is excluded. This will not operate to limit or restrict the Group's liability for death or personal injury resulting from its negligence. Multicomp Pro is the registered trademark of Premier Farnell Limited 2019.

Newark.com/multicomp-pro
 Farnell.com/multicomp-pro
 Element14.com/multicomp-pro

