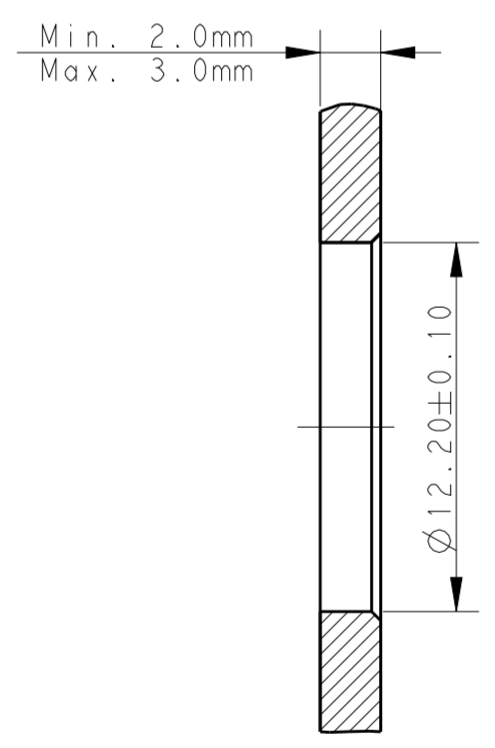
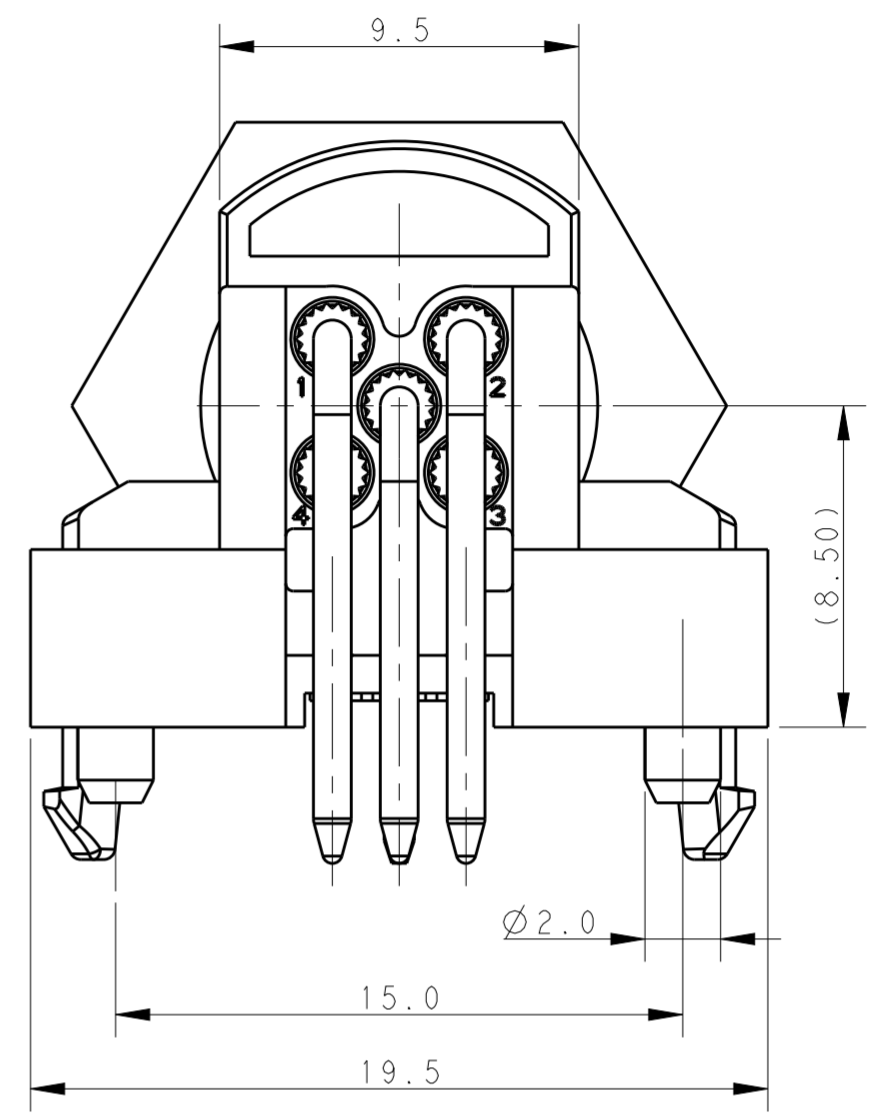
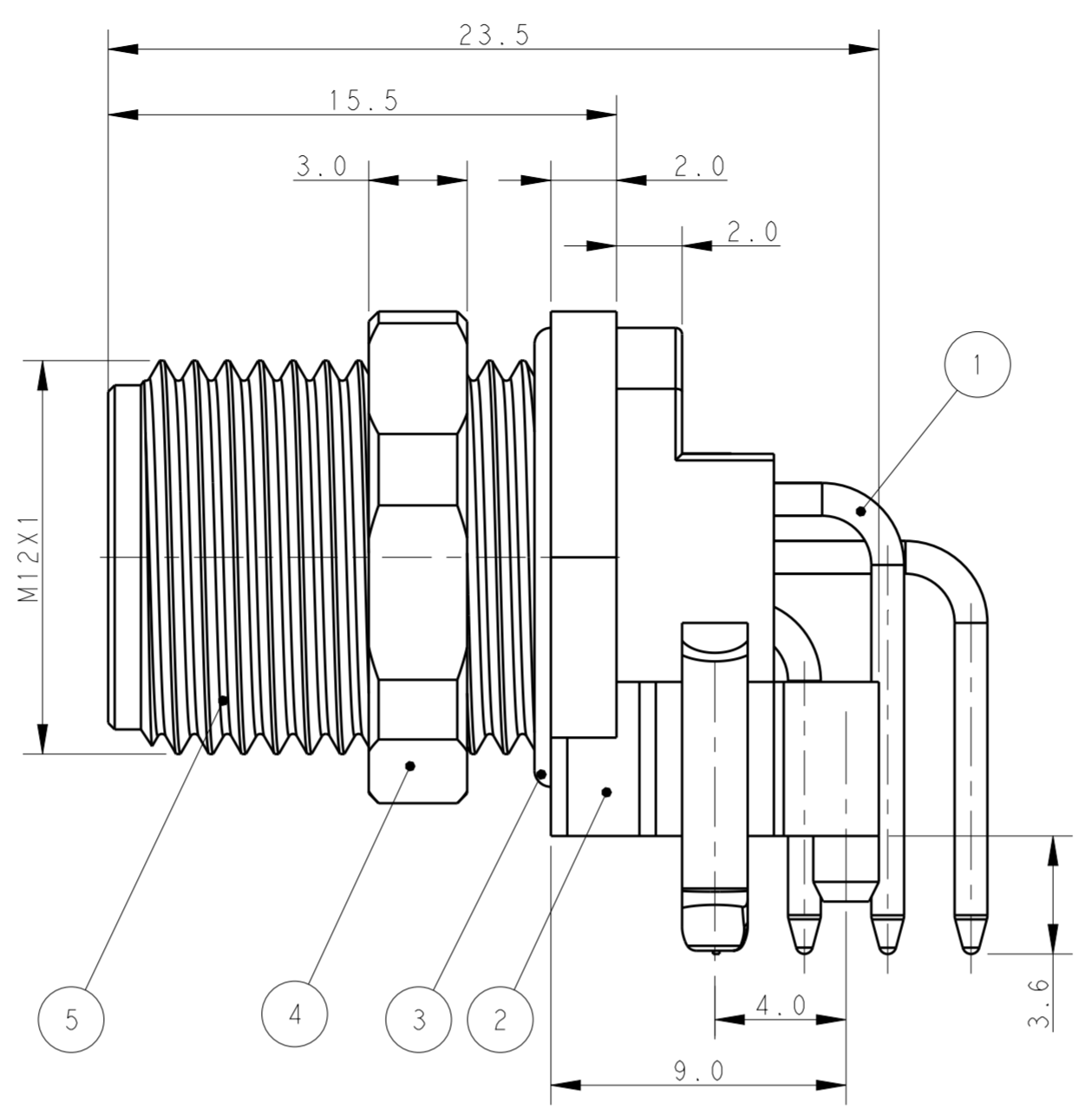
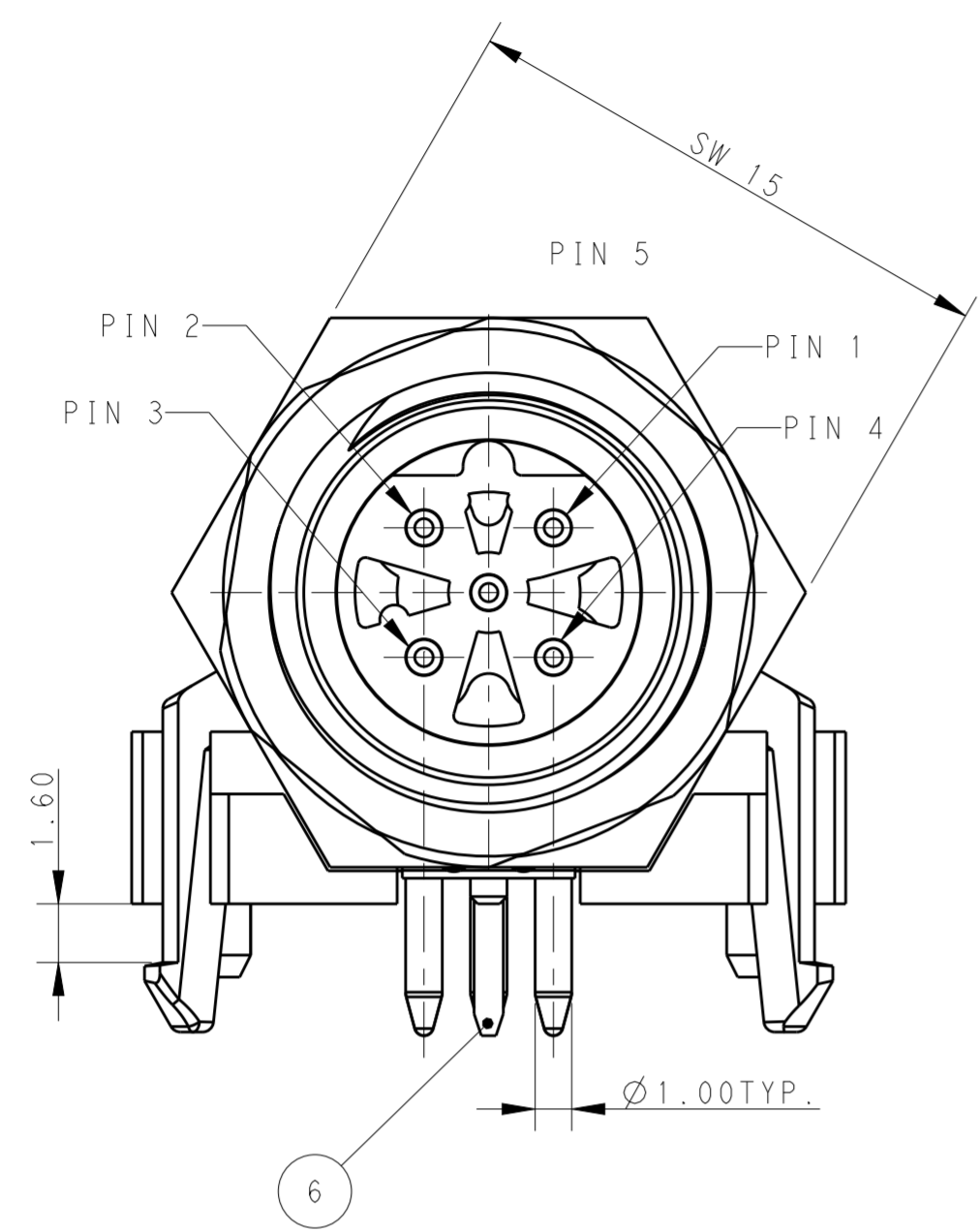
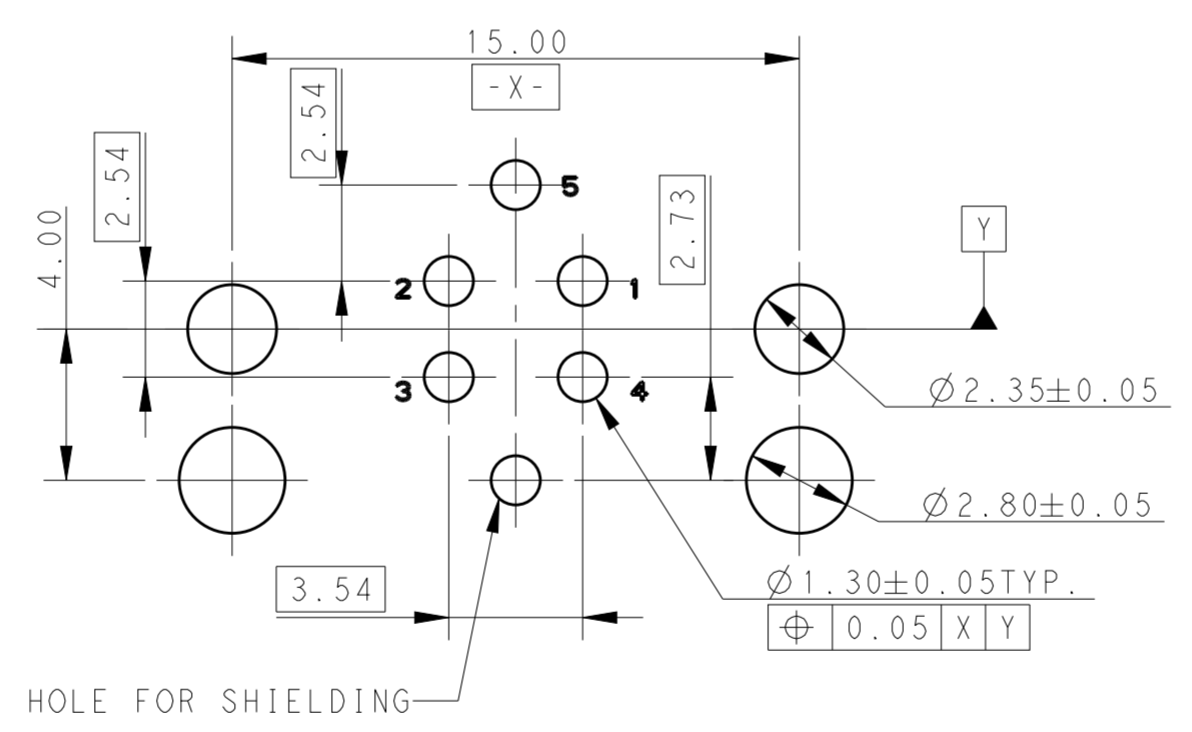


THIS DRAWING IS UNPUBLISHED. RELEASED FOR PUBLICATION 20  
 © COPYRIGHT 20 BY - ALL RIGHTS RESERVED.

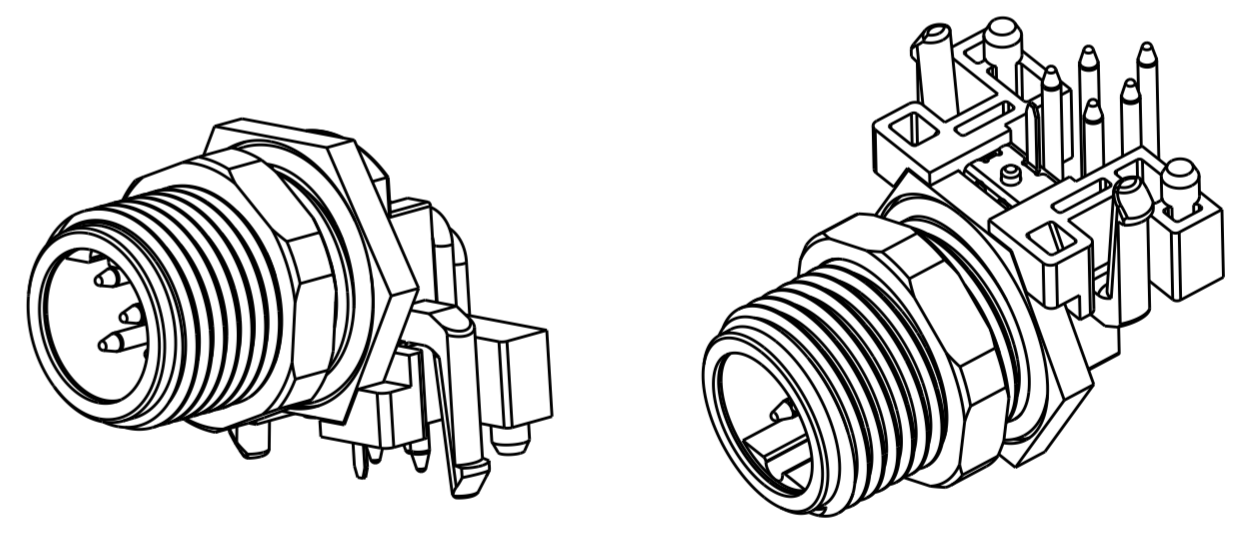
REVISIONS				
P	LTR	DESCRIPTION	DATE	APVD
A		INITIAL RELEASE	27MAY2016	N.P X.X
A1		ECR-19-006232	18APR2019	B.P C.W



RECOMMENDED PANEL SIZE



RECOMMEND PCB LAYOUT  
 PCB THICKNESS: 1.6mm



ITEM	MATERIAL	DESCRIPTION	ITEM
6	COPPER ALLOY	SHIELDING	6
5	COPPER ALLOY	NUT	5
4	COPPER ALLOY	COUPLING NUT	4
3	RUBBER	O-RING	3
2	PA66	HOUSING	2
1	COPPER ALLOY	CONTACT	1

TECHNICAL DATA	T4144435051-000
RATED VOLTAGE	60V
RATED CURRENT	4A
POLLUTION DEGREE	3
OVERVOLTAGE CATEGORY	II
MATERIAL GROUP	II
DEGREE OF PROTECTION	IP67
OPERATION TEMPERATURE	-40~85°C

- NOTES:
1. TECHNICAL DATA: SEE TABLE 1
  2. RECOMMENDED PANEL CUTOUT AND PCB LAYOUT SEE DETAIL .
  3. ALL DIMENSIONS ARE FOR NOMINAL REFERENCE ONLY UNLESS OTHERWISE STATED
- 注意事项
1. 技术参数：见表1；
  2. 推荐面板及PCB开孔尺寸如图所示；
  3. 所有尺寸仅供参考，除另外说明。

THIS DRAWING IS A CONTROLLED DOCUMENT.		DWN Nick Pan 25MAY2016
DIMENSIONS: mm		CHK Kobby Zhao 25MAY2016
TOLERANCES UNLESS OTHERWISE SPECIFIED:		APVD Xiang Xu 25MAY2016
0 PLC	±	PRODUCT SPEC
1 PLC	±0.25	APPLICATION SPEC
2 PLC	±0.15	114-137144-1
3 PLC	±	WEIGHT
4 PLC	±	CUSTOMER DRAWING
ANGLES	±	
FINISH	-	
MATERIAL TBD	finish_spec_2	

RPC-M12B-MRS-5CON-M12-LPU		5	T4144415051-000
TYPE	POS.	PART NUMBER	
<b>STE</b> TE Connectivity			
NAME M12 RIGHT ANGLE PCB ASSEMBLY CONNECTOR, SHIELDED, MALE, B-CODE			
SIZE	CAGE CODE	DRAWING NO	RESTRICTED TO
A2	-	G-T41444350X1000	-
SCALE 2:1		SHEET 1 OF 1	REV A1