

# Miniature Rocker Switch

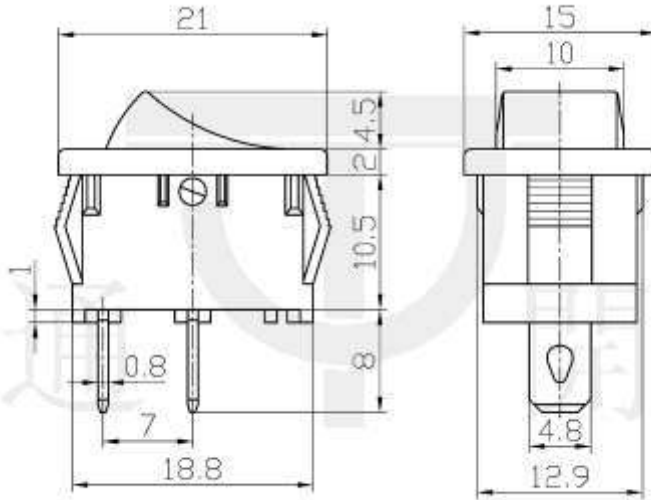
**Q-9015**

TYPE: **MRS-111-1C**

## SPECIFICATIONS

Rating: 6A 125V AC; 3A 250V AC  
Contact R: 35mΩ max  
Insulation R: 500V DC 100MΩ min  
Dielectric Strength: 1 Minute 1500V AC  
Operating Temperature: -25°C ~ +85°C  
Electrical Life: 10,000 Cycles

Outline Drawing



Mounting



Circuitry

