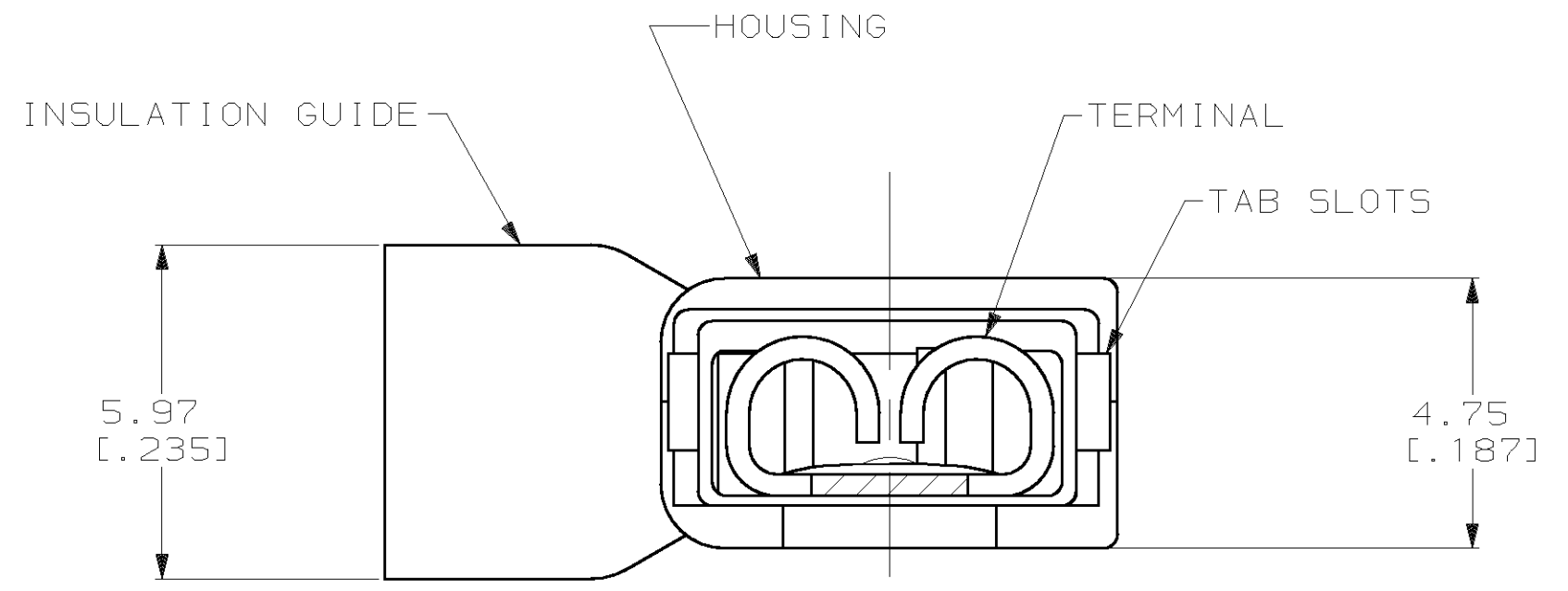
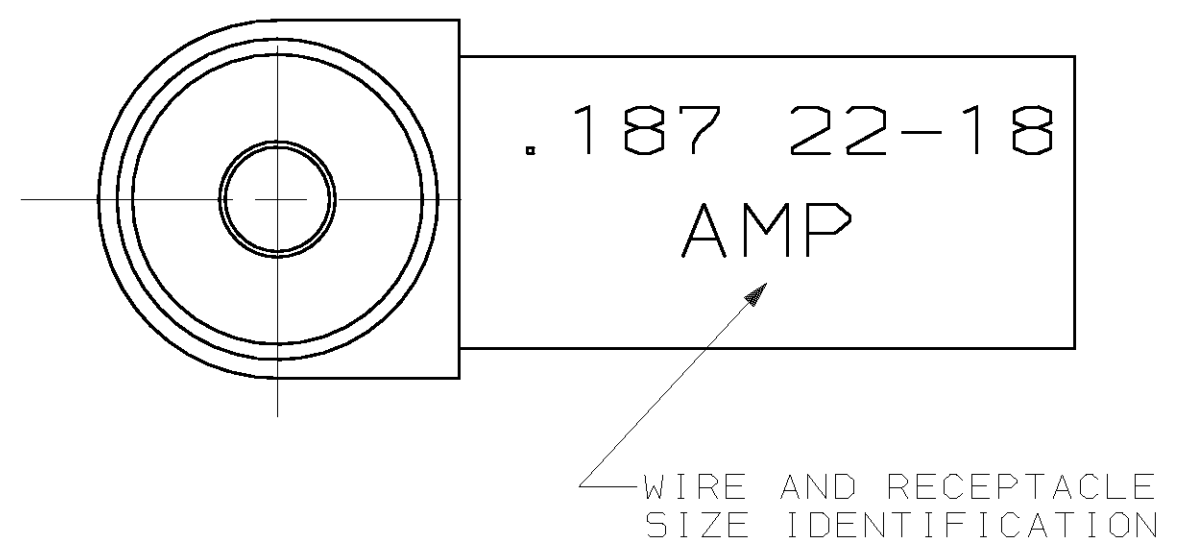
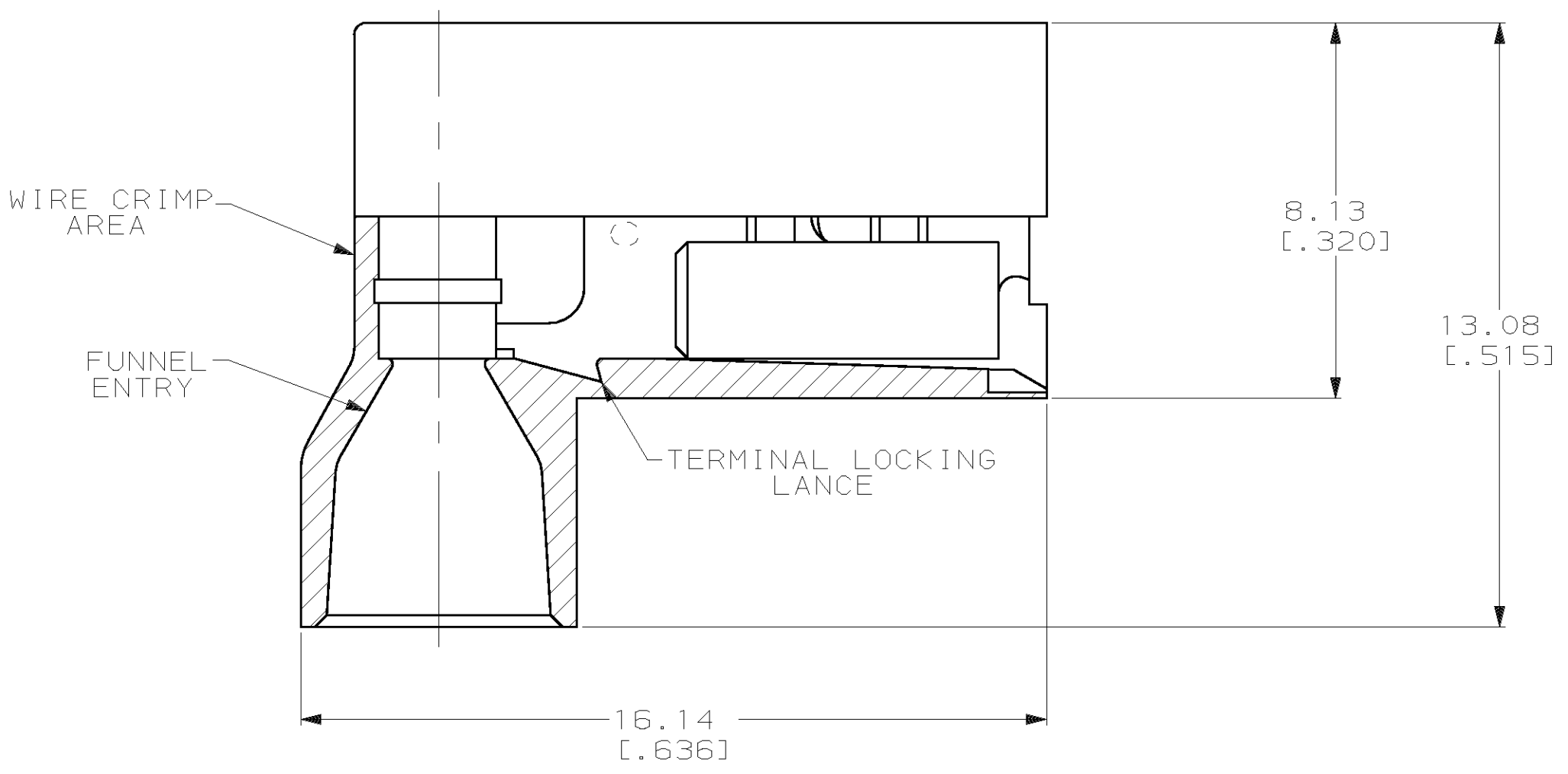


THIS DRAWING IS UNPUBLISHED. RELEASED FOR PUBLICATION ,19 .
 © COPYRIGHT 19 BY AMP INCORPORATED. ALL INTERNATIONAL RIGHTS RESERVED.

LOC		DIST		ZONE		LTR		REVISIONS		DATE	APPD
AF	50	P	F			H		REV PER 0G1A-0149-99		3JUN99	JR/JH

- 1 FITS 0.51±0.025 X 4.75 [.020±.001 X .187] TAB
- 2 WIRE SIZE: 0.3-0.9mm² [22-18 AWG], STRANDED ONLY. STRIP LENGTH 7.14 [.281]
- 3 INSULATION SIZE: 4.19 [.165] MAX DIA.
- 4 SUPPLIED AS LOOSE PIECE



HOUSING	MATERIAL	COLOR	MATERIAL	FINISH	PART NO
OBSOLETE	TYPE 6/6 NYLON	RED TRANSLUCENT	0.41 [.016] #4H PH BRZ	0.002032 [.000080] MIN TIN PL	2-520335-4
	TYPE 6/6 NYLON	RED TRANSLUCENT	0.41 [.016] #4H BRASS	0.002032 [.000080] MIN TIN PL	2-520335-2

DO NOT SCALE PRINT. UNLESS SPECIFIED DIMENSIONS IN mm [INCHES] TOLERANCES ON : 2 PLC DEC ± 0.38 [.015] 3 PLC DEC ± - ANGLES ± -	DR 8/10/90 P FORTNEY	AMP Incorporated Harrisburg, PA 17105-3608		
	CHK 8/23/90 MS FEHER			
MATERIAL SEE TABLE	APPD 8/23/90 D BRATINA	NAME RECEPTACLE ASSEMBLY, ULTRA-FAST FLAG, 4.75 [.187] SERIES, LOOSE PIECE		
FINISH SEE TABLE	APPD 8/23/90 R KUZO	SIZE	CAGE CODE	DRAWING NO
	PRODUCT SPEC 108-2043	114-2123	00779	520335
	WEIGHT -	SCALE 8:1	SHEET	1 OF 1

METRIC