

FEATURES AND SPECIFICATIONS

Features and Benefits

- Very low profile — about 3/4 that of industry standard
- Automatic placement possible
- Foot pattern identical to industry standard
- High reliability, square contact
- Surface Mount Compatible

Reference Information

Product Specification: PS-95001

Packaging: Tube

Mates With: FCC 68 plugs

Designed In: Millimeters

Electrical

Voltage: 125V

Current: 1.5A

Contact Resistance: 20mΩ max.

Dielectric Withstanding Voltage: 1000V

Insulation Resistance: 500 MΩ min.

Physical

Housing: Gray polyamide, UL 94V-0

Contact: Phosphor Bronze

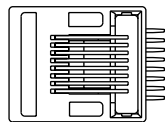
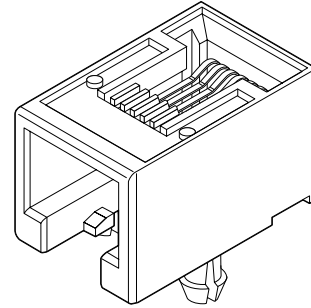
Plating: Post plate 1.27 to 1.52μm (50 to 60μ") Gold in contact area, 1.90μm (75μ") min. (90/10) Tin/Lead in tail area both over Nickel overall

Temperature: -40 to +80°C

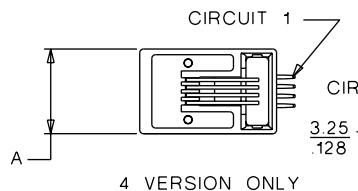
molex® Modular Jack

95001

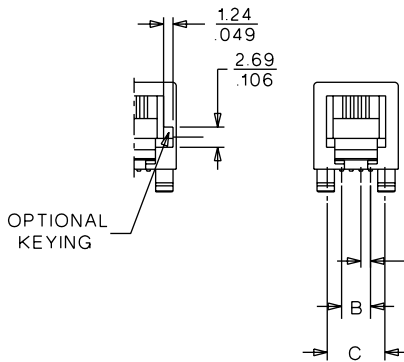
**Right Angle
Low Profile**



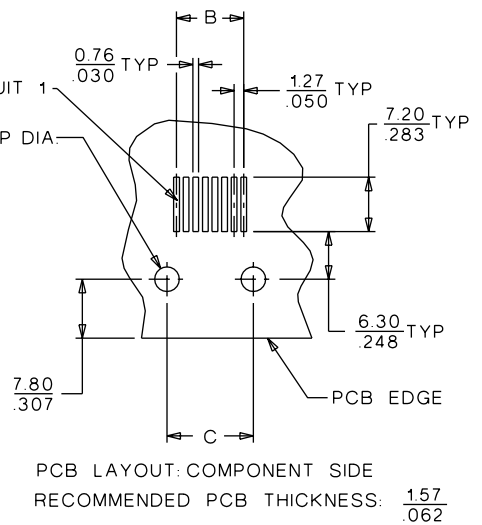
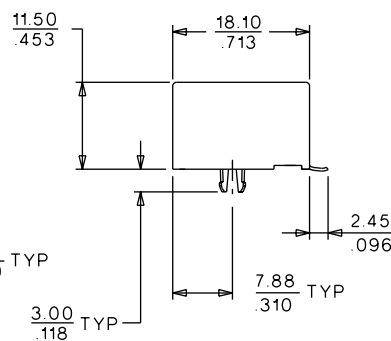
8 AND 6 VERSIONS



4 VERSION ONLY



OPTIONAL KEYING



PCB LAYOUT: COMPONENT SIDE
RECOMMENDED PCB THICKNESS: 1.57 (.062)

ORDERING INFORMATION AND DIMENSIONS

Circuits	Loaded Contacts	Order No.	Key	Dimension		
				A	B	C
4	4	• 95001-6441	No	11.18 (.440)	3.81 (.150)	7.62 (.300)
6	4	• 95001-6641	No	13.21 (.520)	3.81 (.150)	10.16 (.400)
6	6	• 95001-6661	No	13.21 (.520)	6.35 (.250)	10.16 (.400)
8	8	• 95001-6881	No	15.24 (.600)	8.89 (.350)	11.43 (.450)
8	8	• 95001-6882	Yes	15.24 (.600)	8.89 (.350)	11.43 (.450)

• US Standard Product, available through Molex franchised distributors