

RUGGED HIGH-SPEED STRIPS

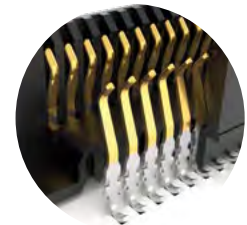


NRZ	PAM4
28 Gbps	56 Gbps

FEATURES & BENEFITS

Edge Rate® rugged high-speed connector strips are designed for high speed, high cycle applications, and enabled by Samtec's signal integrity-optimized Edge Rate® contact system.

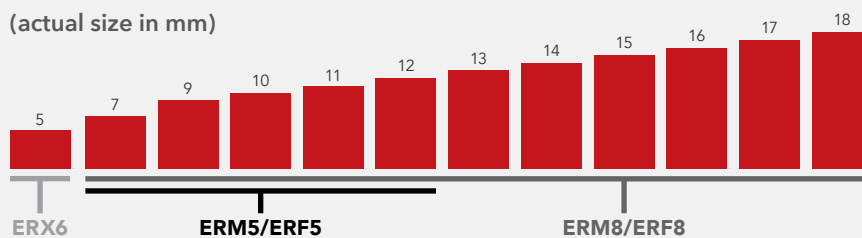
- Choice of 0.50 mm, 0.635 mm or 0.80 mm pitch
- 0.50 mm pitch system offers up to 40% PCB space savings vs. 0.80 mm pitch
- 0.635 mm pitch system with extremely slim 2.5 mm body width
- Rugged latching, locking and 360° shielding
- Up to 1.5 mm contact wipe; robust when "zippered" during unmating
- Compatible with UMPT/UMPS for power/signal flexibility



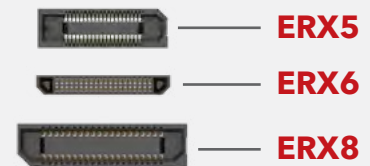
Signal integrity-optimized Edge Rate® contact system reduces broadside coupling

EDGE RATE® STACK HEIGHT FLEXIBILITY

(actual size in mm)



Sockets shown actual size with 40 total positions



KEY SPECIFICATIONS

SERIES	PITCH	STACK HEIGHTS	TOTAL PINS / PAIRS	INSULATOR MATERIAL	TERMINAL MATERIAL	PLATING	OPERATING TEMP RANGE	LEAD-FREE SOLDERABLE
ERM5 / ERF5	0.50 mm	7-12 mm	20-150	Black LCP	Phosphor Bronze or BeCu (ERM5), BeCu (ERF5)	Au or Sn over 50 μm (1.27 μm) Ni	-55 °C to +125 °C	Yes
ERM6 / ERF6	0.635 mm	5 mm	20-120		Copper Alloy			
ERM8 / ERF8	0.80 mm	7-18 mm	10-200		Phosphor Bronze or BeCu (ERM8), BeCu (ERF8)			

(0.80 mm) .0315" PITCH • RIGHT-ANGLE & EDGE MOUNT HIGH-SPEED SOCKETS

ERF8	POSITIONS PER ROW	01	PLATING OPTION	D	RA	OPTIONS	"X"R
------	-------------------	----	----------------	---	----	---------	------

Right-Angle Socket

-010, -013, -020,
-025, -030, -040,
-049, -050, -060,
-070, -075

-L
= 10 μ" (0.25 μm)
Gold on contact area, Matte Tin on tail

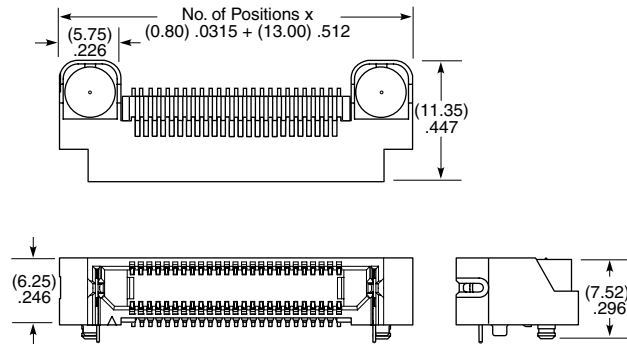
-L
= Latching
(N/A with -EGP Option)

-EGP
= Extended Guide Post
(N/A with -L Option)

-TR
= Tape & Reel

-FR
= Full Reel Tape & Reel (must order maximum quantity per reel; contact Samtec for quantity breaks)

ERF8-RA
Board Mates:
ERM8
Cable Mates:
ERCD, ERDP



View complete specifications at: samtec.com?ERF8-RA

ERF8	POSITIONS PER ROW	01	PLATING OPTION	D	EM2	OPTIONS	"X"R
------	-------------------	----	----------------	---	-----	---------	------

Edge Mount Socket

-010, -013,
-020, -025,
-030, -040,
-049, -050,
-060, -070,
-075

-L
= 10 μ" (0.25 μm)
Gold on contact area, Matte Tin on tail

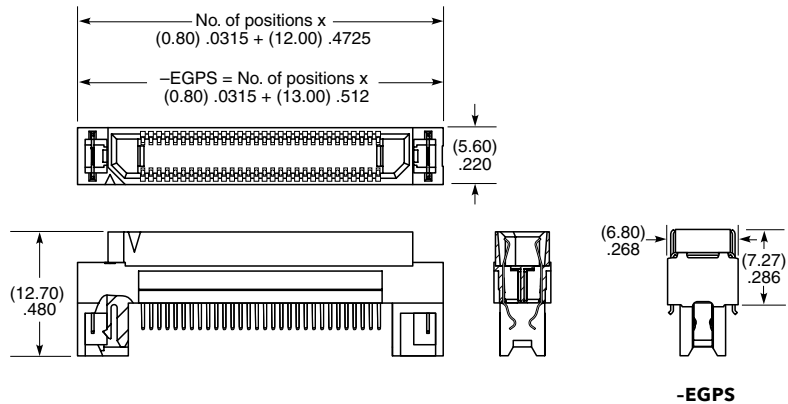
= (1.60 mm)
.062" Thick
PCB

-EGPS
= Extended Guide Post Shield
(-010, -020, -025, -030 Pos. only)

-TR
= Tape & Reel

-FR
= Full Reel Tape & Reel (must order maximum quantity per reel; contact Samtec for quantity breaks)

ERF8-EM
Board Mates:
ERM8



View complete specifications at: samtec.com?ERF8-EM

Note:
Some lengths, styles and options are non-standard, non-returnable.

Mouser Electronics

Authorized Distributor

Click to View Pricing, Inventory, Delivery & Lifecycle Information:

Samtec:

[ERF8-030-01-L-D-RA-L-TR](#) [ERF8-020-01-S-D-RA-L-TR](#) [ERF8-020-01-L-D-RA-TR](#) [ERF8-010-01-S-D-RA-L-TR](#)
[ERF8-040-01-L-D-RA-TR](#) [ERF8-075-01-L-D-RA-TR](#) [ERF8-013-01-S-D-RA-L-TR](#) [ERF8-013-01-L-D-RA-L-TR](#) [ERF8-075-01-L-D-RA-L-TR](#) [ERF8-060-01-L-D-RA-TR](#) [ERF8-070-01-L-D-RA-TR](#) [ERF8-060-01-L-D-RA-L-TR](#) [ERF8-050-01-L-D-RA-TR](#) [ERF8-010-01-S-D-RA-TR](#) [ERF8-049-01-L-D-RA-L-TR](#) [ERF8-050-01-L-D-RA-L-TR](#) [ERF8-013-01-L-D-RA-TR](#) [ERF8-040-01-S-D-RA-TR](#) [ERF8-025-01-L-D-RA-TR](#) [ERF8-010-01-L-D-RA-TR](#) [ERF8-025-01-S-D-RA-L-TR](#)
[ERF8-030-01-L-D-RA-TR](#) [ERF8-040-01-L-D-RA-L-TR](#) [ERF8-020-01-L-D-RA-L-TR](#) [ERF8-010-01-L-D-RA-L-TR](#) [ERF8-025-01-L-D-RA-L-TR](#) [ERF8-040-01-S-D-RA-L-TR](#) [ERF8-025-01-S-D-RA-TR](#) [ERF8-030-01-S-D-RA-L-TR](#) [ERF8-050-01-S-D-RA-L-TR](#) [ERF8-025-03-S-D-RA-L-TR](#) [ERF8-030-01-L-D-RA-EGP-TR](#) [ERF8-060-03-L-D-RA-TR](#) [ERF8-050-03-L-D-RA-TR](#) [ERF8-013-03-L-D-RA-L-TR](#)