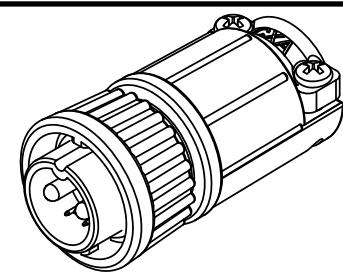


CUSTOMER PRINT

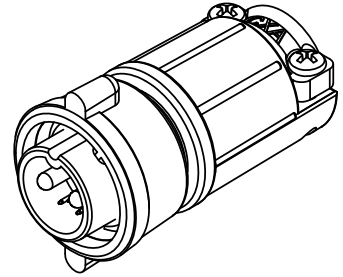
PART NUMBER: W3B82-8PG-5XX

- NOTES:  
 1. PARTS TO BE BULK PACKED.  
 2. SOLDER CONTACTS ARE PRESSED INTO CONNECTOR.  
 SIZE 12 CONTACTS AND SIZE 26 (POSITIONS 3, 7 & 8) FACE TOP KEY (UP).  
 SIZE 26 CONTACTS (POSITIONS 4-6) FACE DOWN.  
 3. ALL DIMENSIONS ARE FOR REFERENCE ONLY EXCEPT WHERE NOTED WITH TOLERANCE.

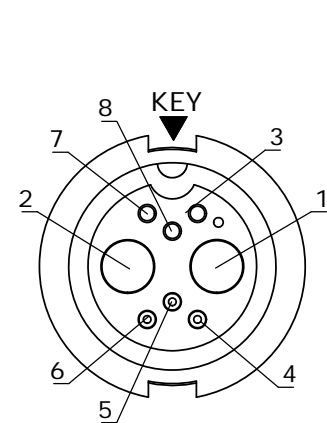
ASSY P/N	COUPLING RING P/N	CABLE O.D.
W3B82-8PG-535	4282V4	.350-.400 IN. [8.9-10.2mm]
W3B82-8PG-535W	4482V4	.350-.400 IN. [8.9-10.2mm]



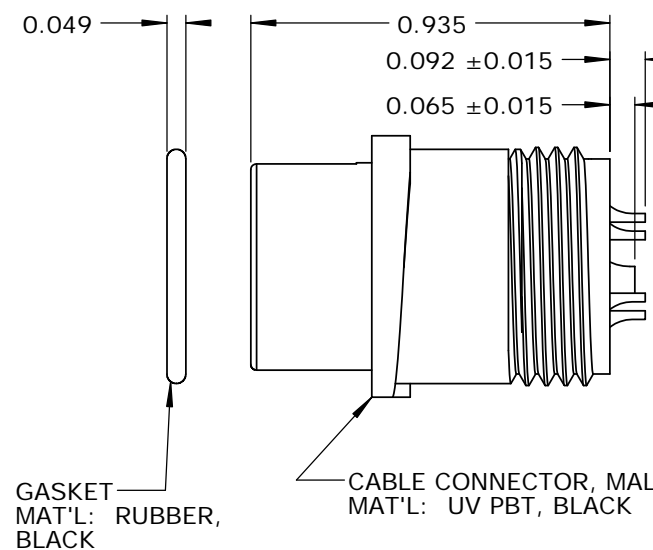
**STD COUPLING RING**  
 P/N: W3B82-8PG-5XX



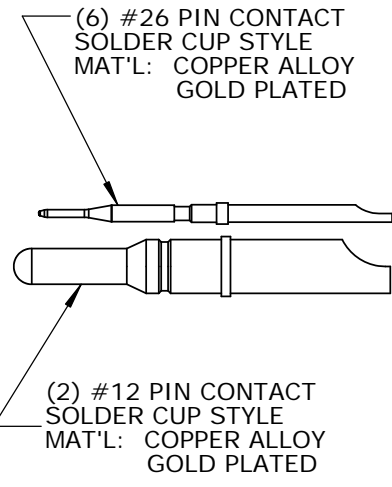
**WINGED COUPLING RING**  
 P/N: W3B82-8PG-5XXW



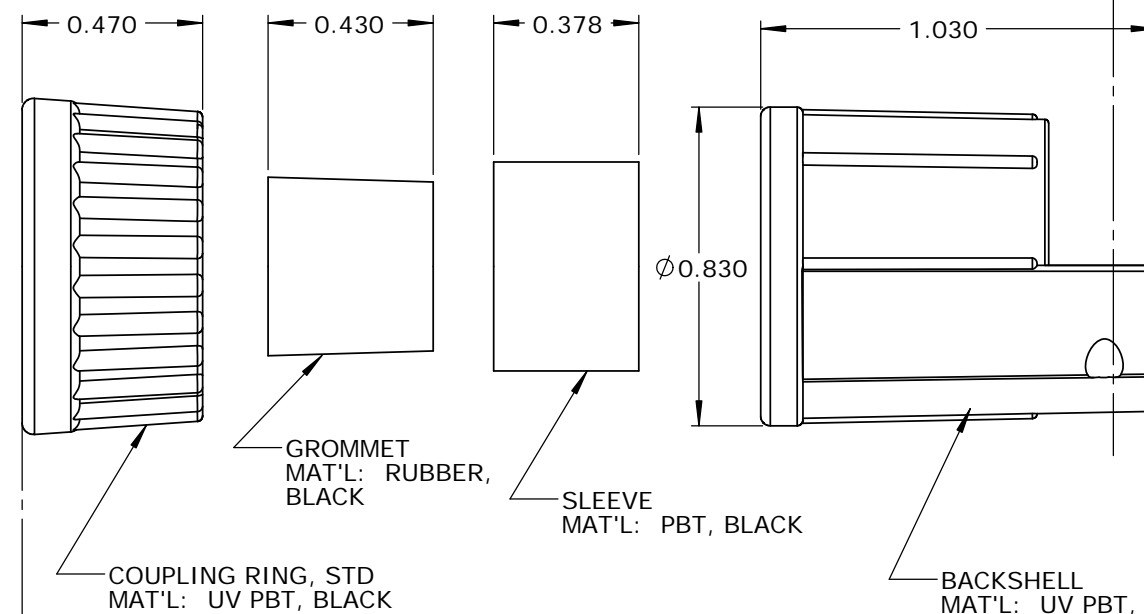
**FACE VIEW**



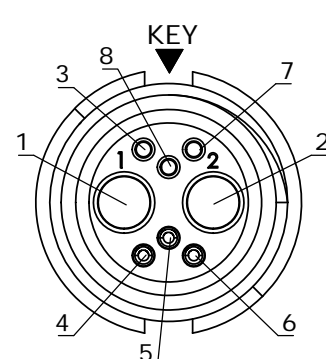
GASKET  
 MAT'L: RUBBER, BLACK  
 CABLE CONNECTOR, MALE  
 MAT'L: UV PBT, BLACK



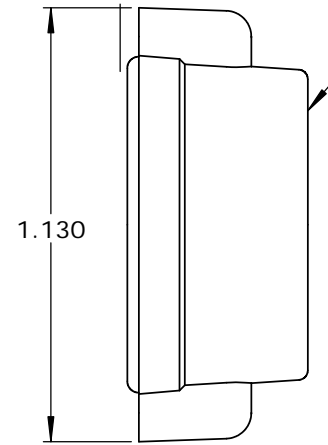
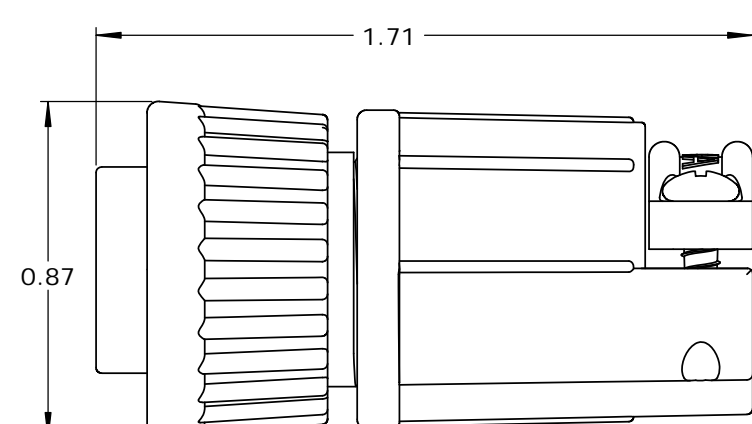
(6) #26 PIN CONTACT  
 SOLDER CUP STYLE  
 MAT'L: COPPER ALLOY  
 GOLD PLATED  
 (2) #12 PIN CONTACT  
 SOLDER CUP STYLE  
 MAT'L: COPPER ALLOY  
 GOLD PLATED



COUPLING RING, STD  
 MAT'L: UV PBT, BLACK  
 GROMMET  
 MAT'L: RUBBER, BLACK  
 SLEEVE  
 MAT'L: PBT, BLACK  
 BACKSHELL  
 MAT'L: UV PBT, BLACK



**WIRE VIEW**



COUPLING RING, WINGED  
 MAT'L: UV PBT, BLACK

**CUSTOMER APPROVAL**  
 THIS DOCUMENT CONTAINS CONFIDENTIAL INFORMATION PROPRIETARY TO CONXALL CORPORATION. ANY REPRODUCTION, DISCLOSURE, OR USE OF THIS DOCUMENT /INFORMATION IS EXPRESSLY PROHIBITED UNLESS AUTHORIZED IN WRITING BY CONXALL CORPORATION.  
 APPROVED BY: \_\_\_\_\_  
 DATE: \_\_\_\_\_

**RoHS COMPLIANT**

A	AB	05-09-19	RELEASE PER DOR 14-6281TC
REV.	INIT.	DATE	DESCRIPTION
ALL INFORMATION ILLUSTRATED IS THE PROPERTY OF CONXALL CORPORATION. UNAUTHORIZED DUPLICATION OR DISTRIBUTION OF THIS DOCUMENT IS PROHIBITED.		ORIG. DRAWN BY: AB	DATE: 07-21-14
ALL UNITS ARE IN FEET, INCHES, FRACTION OF INCHES AND DECIMALS.		CHECKED BY:	 601 E. WILDWOOD VILLA PARK, IL 60181
APPROVED BY:		APPROVED BY:	
SCALE: NTS	SIZE: B	SHEET: 1 OF 1	TITLE: CABLE END CONNECTOR KIT (2)#12 + (6)#26 PIN CONTACTS, SOLDER CUP MULTI-CON-X, WEATHER RESISTANT STANDARD PRODUCT
FILE: SAME AS P/N	DIRECTORY: SLW	PART NUMBER: W3B82-8PG-5XX(W)	REV: A

# Mouser Electronics

Authorized Distributor

Click to View Pricing, Inventory, Delivery & Lifecycle Information:

[Switchcraft:](#)

[W3B82-8PG-535](#)