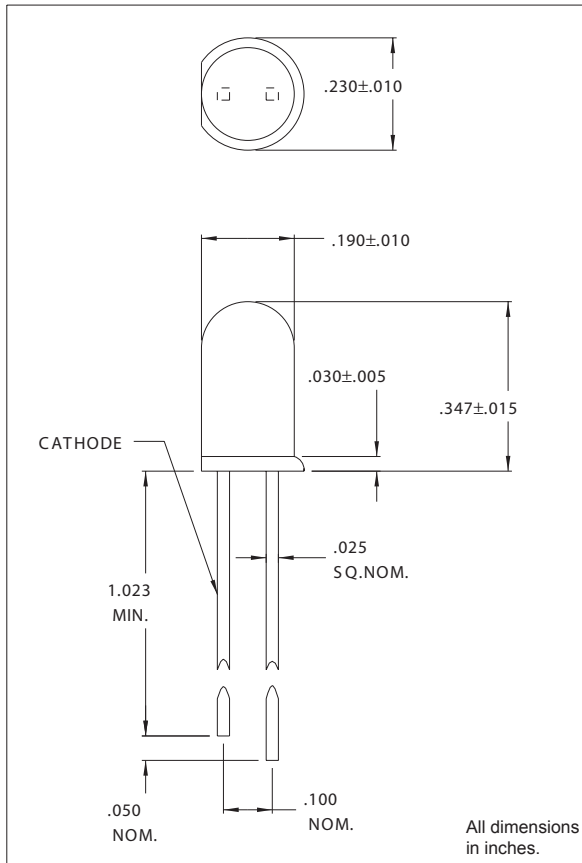


4308H Series Solid State LED Lamps-Ultra Brite T-1 3/4 (5mm) Description and Features



- High intensity light output.
- Clear non-diffused lens.
- Ideal for high ambient light conditions.
- RoHS Compliant

Electro-Optical Characteristics and Ratings

PART NUMBER	4308H5	4308H7
Output Color	Green	Yellow
Diffusion	Non-Diffused	Non-Diffused
Package Color	Clear	Clear
Test Current (mA)	20	20
Forward Voltage Typ. (V)	2.3	2.2
Forward Voltage Max. (V)	3.0	3.0
Luminous Intensity Min. (mcd)	110	95
Luminous Intensity Typ. (mcd)	140	140
Capacitance @ V=0	18	18
Peak Wavelength (nm)	565	583
Viewing Angle 2θ 1/2 (degrees)	24	24
Power Dissipation (mW)	135	85
Continuous Forward Current Max. (mA)	25	20

Mouser Electronics

Authorized Distributor

Click to View Pricing, Inventory, Delivery & Lifecycle Information:

VCC:

[4308H7](#) [4308H5](#) [4308H1](#)