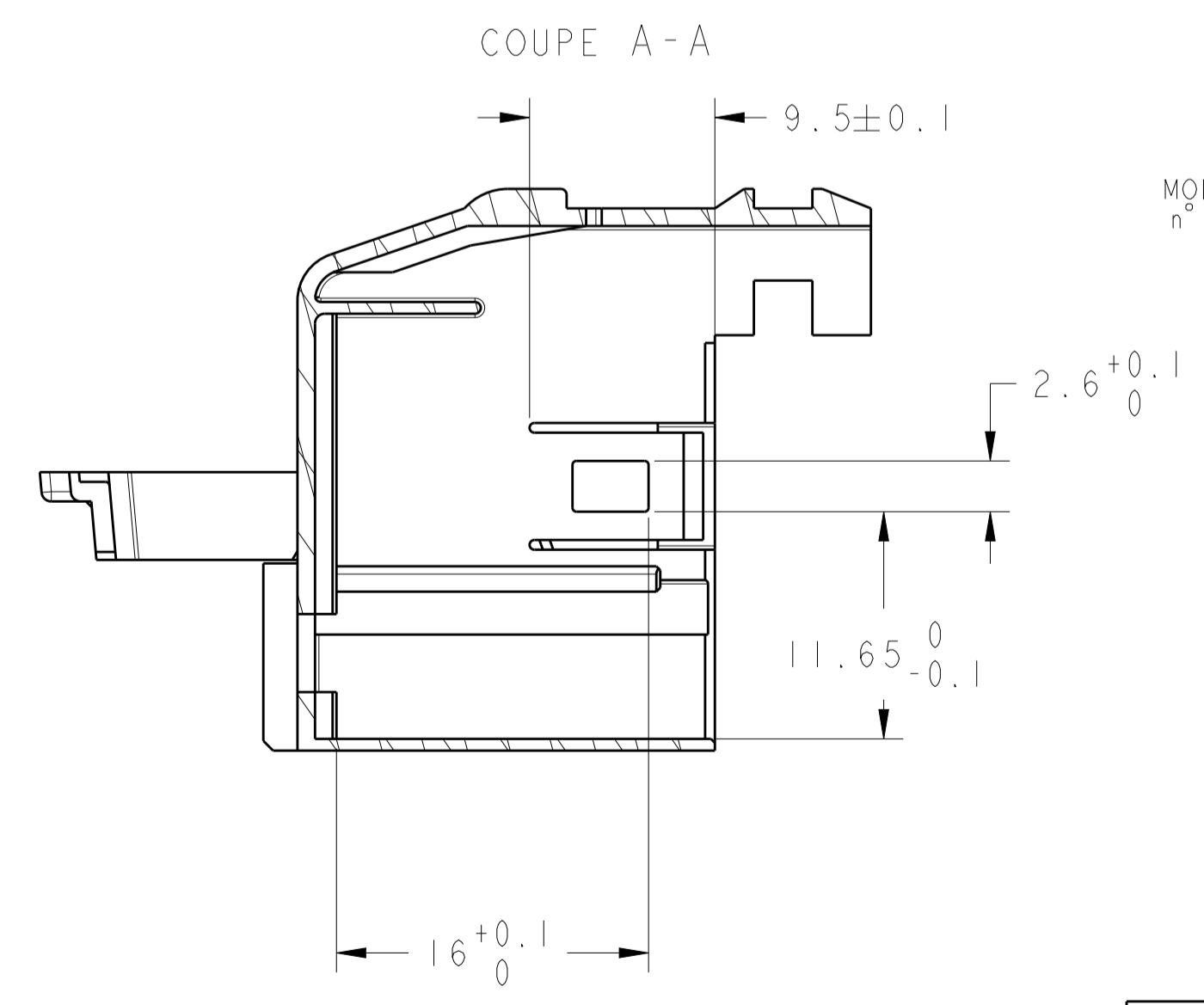
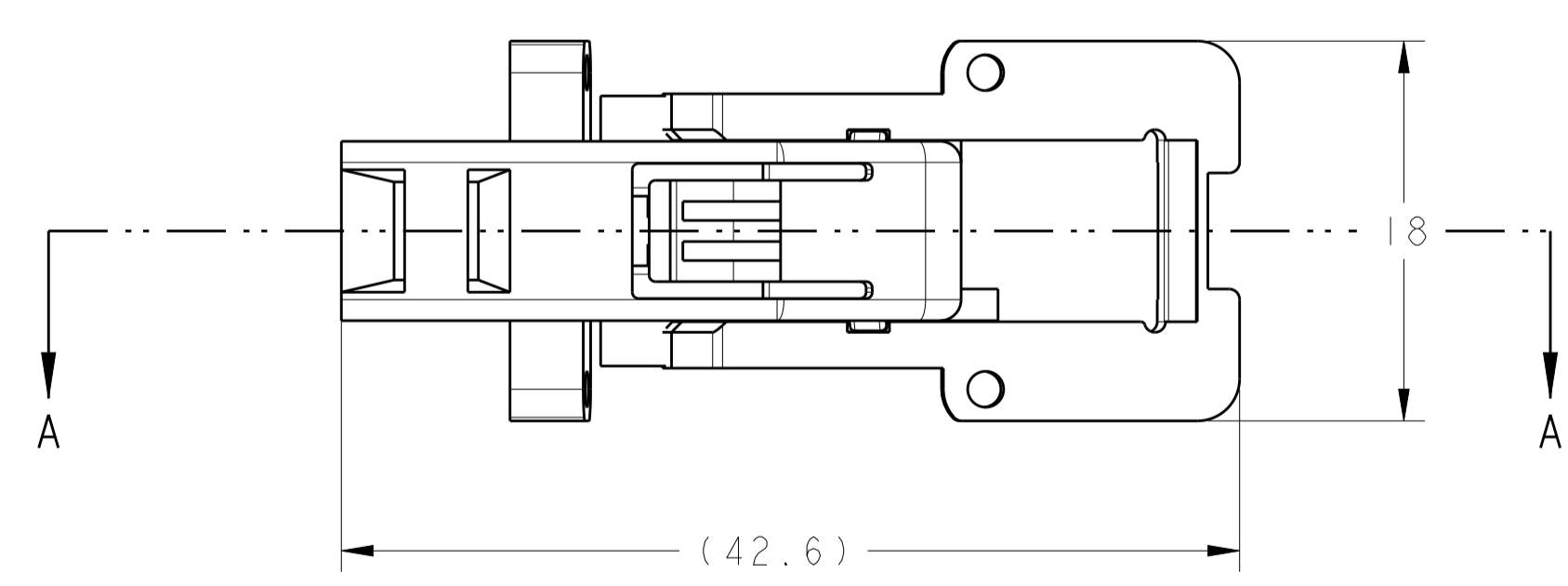
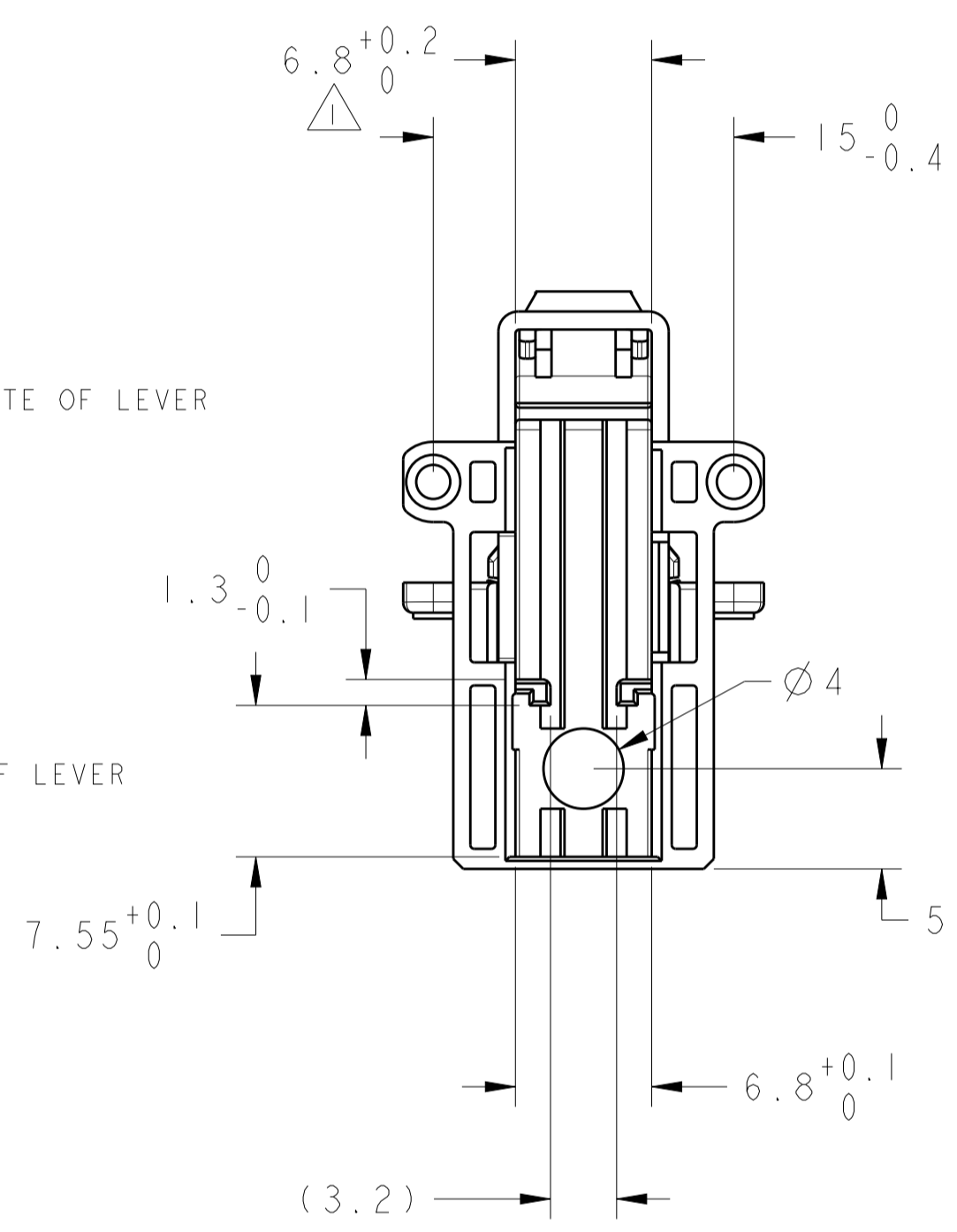
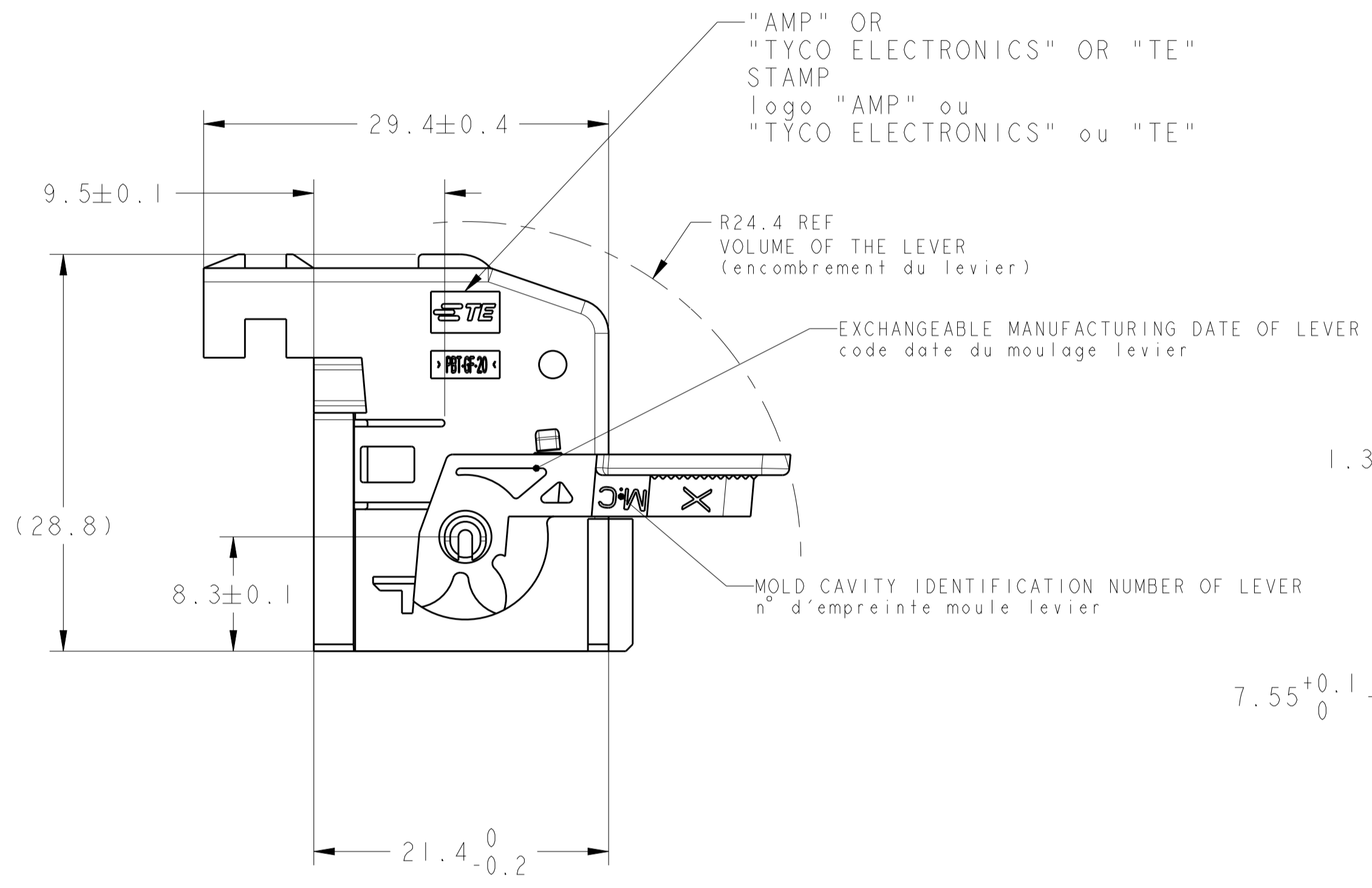
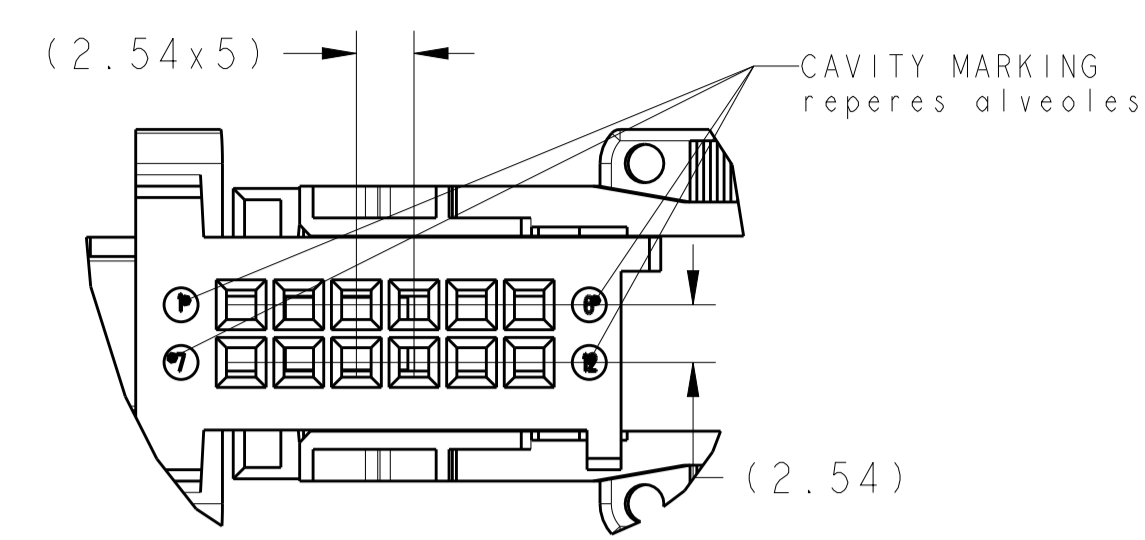


REVISIONS					
P.	LTN	DESCRIPTION	DATE	DWN	APVD
B		ADDED PN 1379096-3 AND DIMENSION 9.5±0.1	12AUG2003	MP	XR
C		ADDED ASSEMBLY DATE CODE	13JUL2007	MP	XR
D		DIMENSION 6.8 ADDED ON TOP WITH NOTE 1	20AUG2010	EC	XR
E		UPDATED MOLD CAVITY MARKING OF COVER	08MAY2019	ASB	GKT



DESCRIPTION	ITEM rep.	QTTY	MATERIE	TE PN	COLOR	KEYING
SHIELD capot	1	1	PBT GF 20% PBT FV 20%	1379096-3	BLACK noir	
LEVER levier	2	1	PBT GF 20% PBT FV 20%	1379096-3	BLACK noir	
SHIELD capot	1	1	PBT GF 20% PBT FV 20%	1379096-2	BLUE bleu	
LEVER levier	2	1	PBT GF 20% PBT FV 20%	1379096-2	BLACK noir	
SHIELD capot	1	1	PBT GF 20% PBT FV 20%	1379096-1	BROWN marron	
LEVER levier	2	1	PBT GF 20% PBT FV 20%	1379096-1	BLACK noir	
DESCRIPTION	ITEM rep.	QTTY	MATERIE	TE PN	COLOR	KEYING

△ ALLOWED DEFORMATION 0.3MAX

ASSEMBLY DATE CODE
date code de l'assemblage
OPTIONAL

EXCHANGEABLE MANUFACTURING DATE OF SHIELD
code date du moulage porte-module

MOLD IDENTIFICATION NUMBER OF SHIELD
n° d'empreinte du moule porte-module

THIS DRAWING IS A CONTROLLED DOCUMENT. CE PLAN EST UN DOCUMENT CONTROLÉ PAR AMP INCORPORATED. IL EST SOUSCÉLÉBRÉ À L'INTÉRIEUR DE LA COUVERTURE DE SERVICE. TOUT CHANGEMENT DE STATUT DOIT ÊTRE NOTIFIÉ À LA DIRECTION GÉNÉRALE.		DWY/DESSINE M. POLIFONTE 07OCT99	TE Connectivity
DIMENSIONS: mm		CHK/REVISE J. LALANGE 08OCT99	
TOLERANCES: UNLESS OTHERWISE SPECIFIED: 0 PLG/DEC: #: 1 PLG/DEC: #: 2 PLG/DEC: #0.2 3 PLG/DEC: #: 4 PLG/DEC: #: ANGLES: #°		APVD/APPROVE J. LALANGE 08OCT99	NAME SHIELD+LEVER FOR MOS 12 POS (90) ASSY GENE II -PORTE-MODULE 12 VOIES MOS (90) ASSY
MATERIAL/MATIERE SEE TABLE		FINISH/FINITION SEE TABLE	SIZE FORM 1 CAGE CODE DRAWING NO 100 PLAN 00779 1379096
WEIGHT MASSE APPROX. 3.5g		CUSTOMER DRAWING	RESTRICTED TO RESERVE A