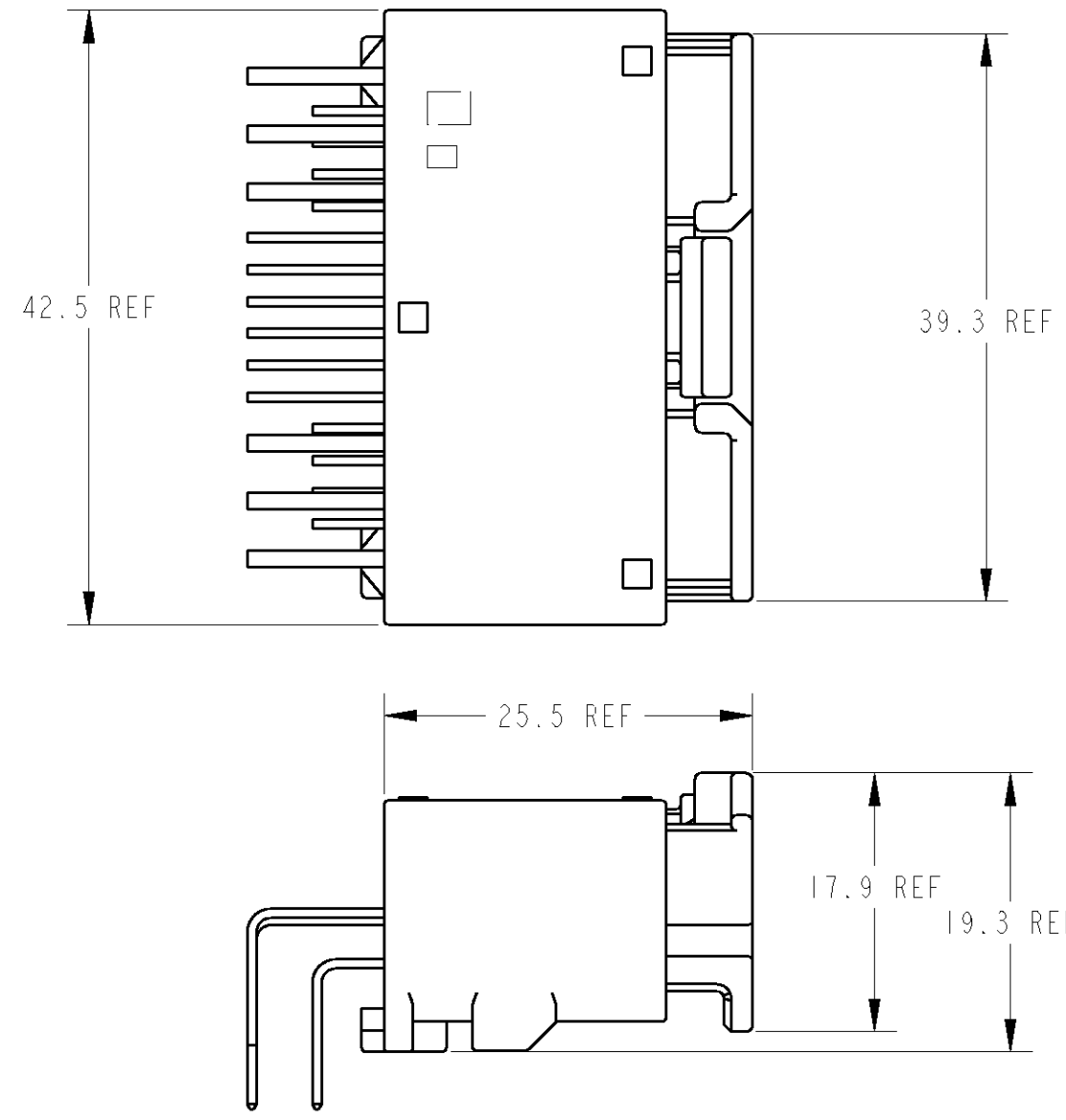


THIS DRAWING IS UNPUBLISHED. RELEASED FOR PUBLICATION 2000
 © COPYRIGHT 2000 BY TYCO ELECTRONICS CORPORATION. ALL RIGHTS RESERVED.

LOC	DIST	REVISIONS			
P	LTR	DESCRIPTION	DATE	DWN	APVD
J	--	SEE 1 OF 2			



CAP ASSEMBLY AND PLUG ASSEMBLY ENGAGEMENT DRAWING
 キャップアッセンブリー & プラグアッセンブリー 嵌合図

<small>THIS DRAWING IS A CONTROLLED DOCUMENT FOR TYCO ELECTRONICS CORPORATION IT IS SUBJECT TO CHANGE AND THE CONTROLLING ENGINEERING ORGANIZATION SHOULD BE CONTACTED FOR THE LATEST REVISION.</small>		DWN R. NAGAI 14OCT2000 CHK T. HAYASHI 14OCT2000 APVD N. SAI 14OCT2000		Tyco Electronics AMP K.K. Kawasaki, Japan	
DIMENSIONS: mm		TOLERANCES UNLESS OTHERWISE SPECIFIED: 一般差 = ± 0.3 0-PLC ± 1-PLC ±0.3 2-PLC ±0.10 3-PLC ±0.013 4-PLC ±0.000J ANGLES ±3'00"		PRODUCT SPEC SEE 1 OF 2 APPLICATION SPEC SEE 1 OF 2 WEIGHT SEE 1 OF 2	
MATERIAL SEE 1 OF 2		FINISH SEE 1 OF 2		NAME 025/090 SERIES CONNECTOR 26POSITION CAP HOUSING ASSEMBLY	
CUSTOMER DRAWING		SIZE A3	CAGE CODE 00779	DRAWING NO C-1376357	RESTRICTED TO --
		SCALE 2:1	SHEET 2 OF 2	REV A1	