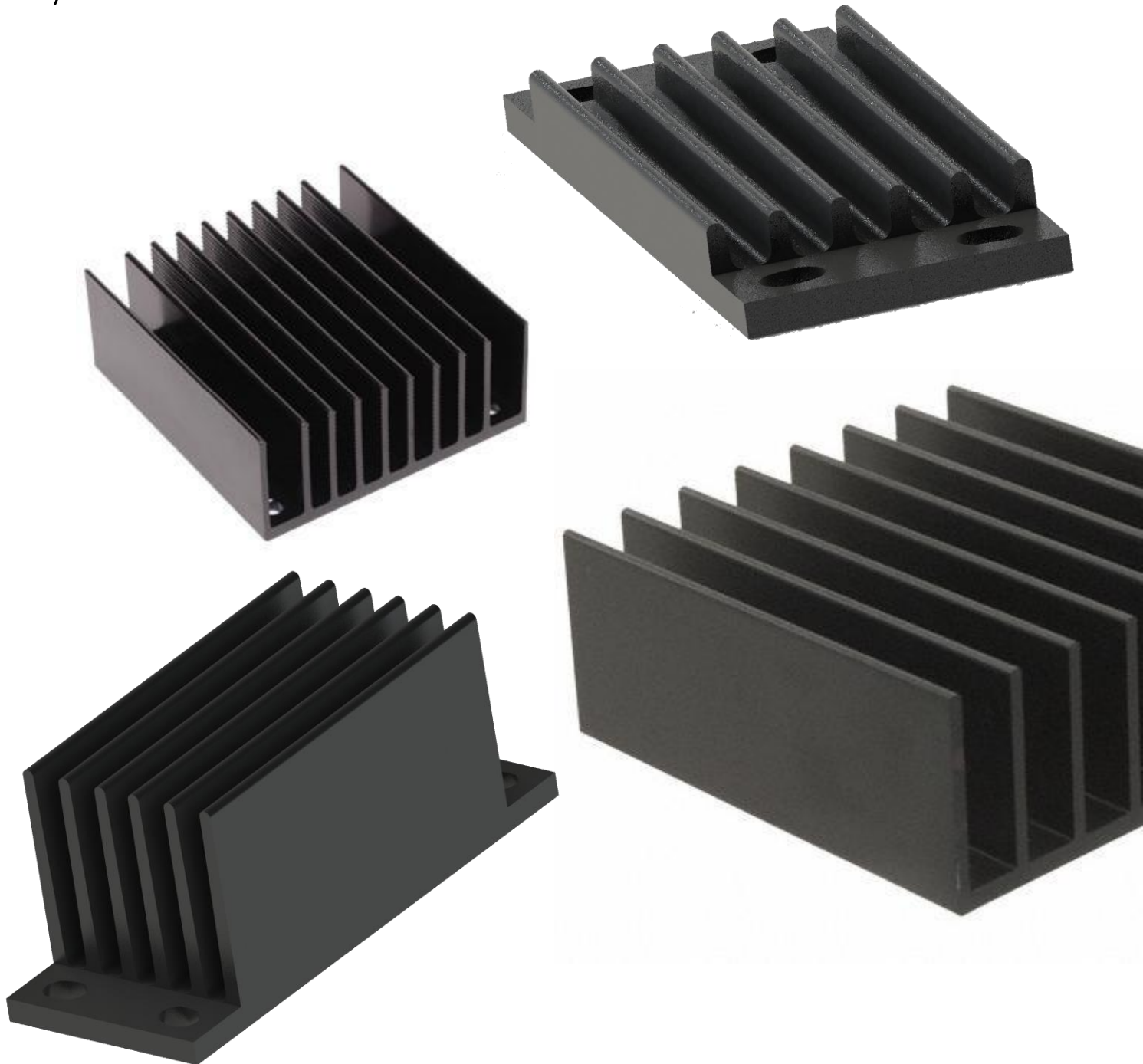


Standard Heat Sink Solutions DC/DC Converters



Full-Brick DC/DC Heat Sinks

557, 558, & 559 Series

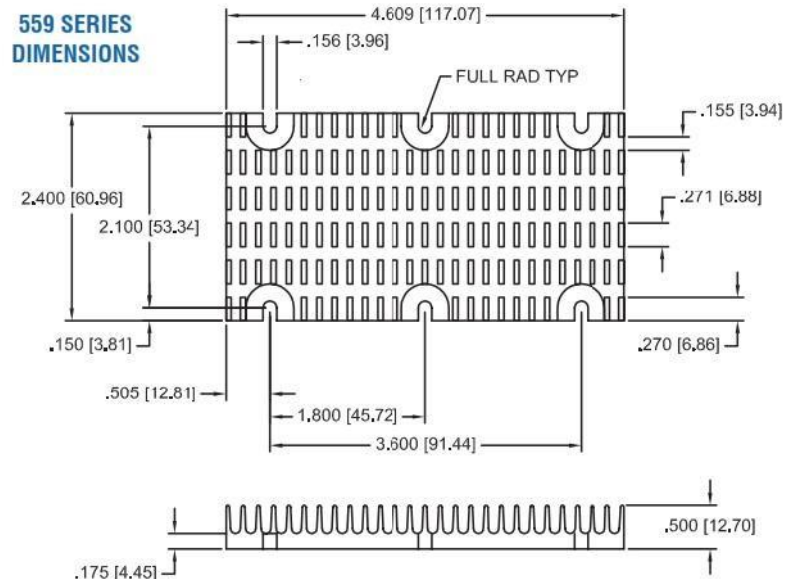
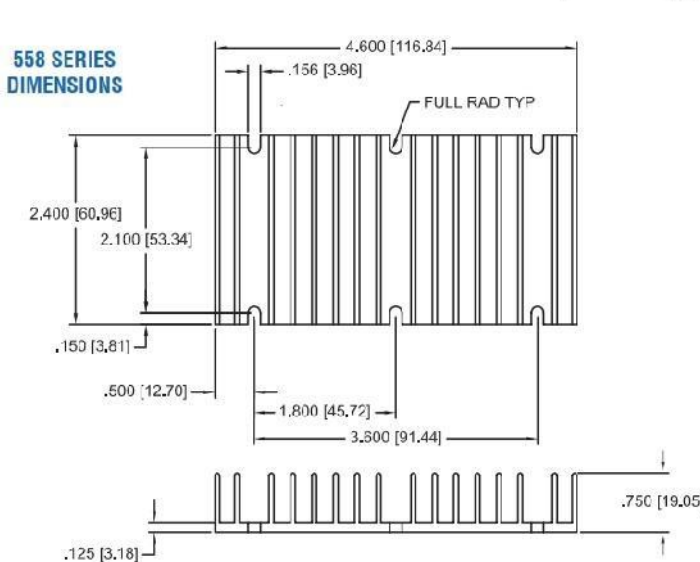
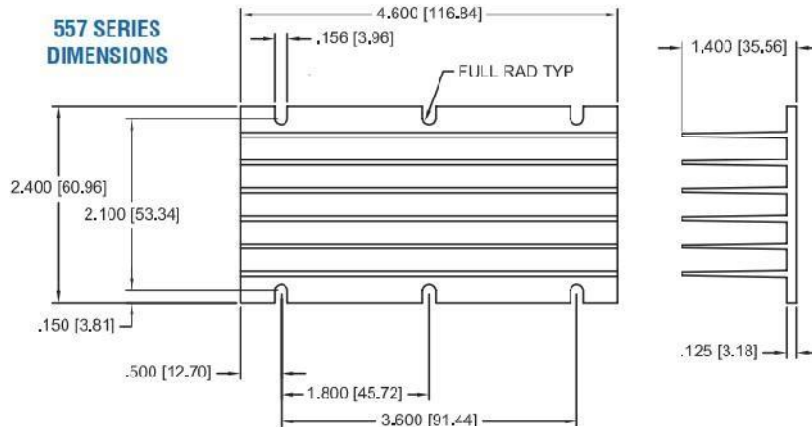
- Aluminum extruded fin construction keeps DC/DC converter modules cool in both forced and natural convection applications.
- Three fin heights, two flow direction options.
- Black anodize finish standard.
- Integral thermal interface pad option eliminates need to order and install pad separately.
- Ordering a single part number with the hardware kit option provides everything necessary to keep your converter cool.



Full Brick 557, 558 & 559 Series	
Manufacturer	Recommended Series
Artesyn	AIF
Artesyn	AGF
CUI	VFB
Ericsson	PKY
TDK	PAF
TDK	iFB

Standard P/N	Footprint Dimensions in. (mm)	Height in. (mm)	Fin Orientation	Number of Fins	Forced Convection Thermal Resistance at 300 ft/min (C/W)	Natural Convection Power Dissipation (Watts) 40°C Rise Heat Sink to Ambient
557-140AB	4.60 (116.8) x 2.40 (61.0)	1.40 (35.6)	Horizontal	6	1.3	14
558-75AB	2.40 (61.0) x 4.60 (116.8)	0.75 (19.1)	Vertical	16	1.8	12
559-50AB	2.40 (61.0) x 4.60 (116.8)	0.50 (12.7)	Vertical	27	2.2	10

Material: Aluminum, Black Anodized



Thermal Cooling Solutions from Smart to Finish

www.wakefield-vette.com

Half-Brick DC/DC Heat Sinks

517, 518 & 527 & 528 Series

- Standard mounting hole patterns mate with the majority of "half-brick" DC/DC converters on the market.
- Aluminum extruded fin construction keeps DC/DC converter modules cool in both forced and natural convection applications.
- Vertical and horizontal fin configurations available in a variety of fin heights.
- Black anodize finish standard.
- Integral thermal interface pad option eliminates need to order and install pad separately.
- Ordering a single part number with the hardware kit option provides everything necessary to keep your converter cool.



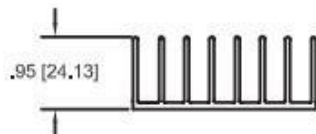
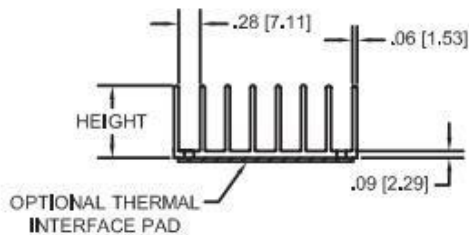
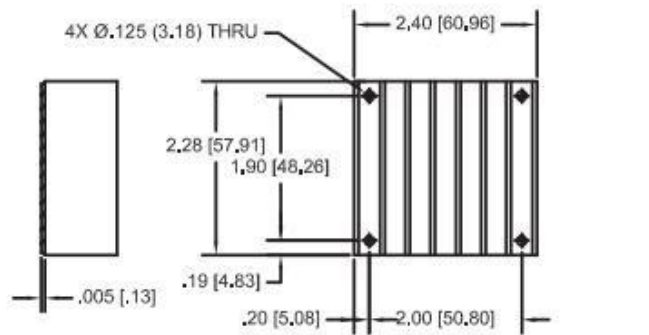
Half Brick 517-518/ 527-528 Series

Manufacturer	Recommended Series
Artesyn	AIH
Artesyn	AGH
Artesyn	AVE
Artesyn	RF
CUI	VHB
CUI	VHE
Ericsson	PKJ
muRata	PAH
muRata	MEE
power-one	HH
power-one	HBA
TDK	PAH
TDK	iHG
TDK	iHI

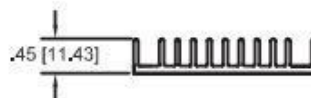
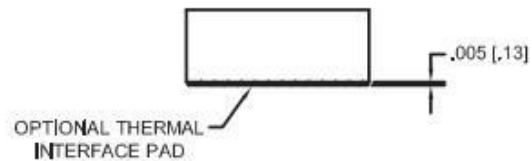
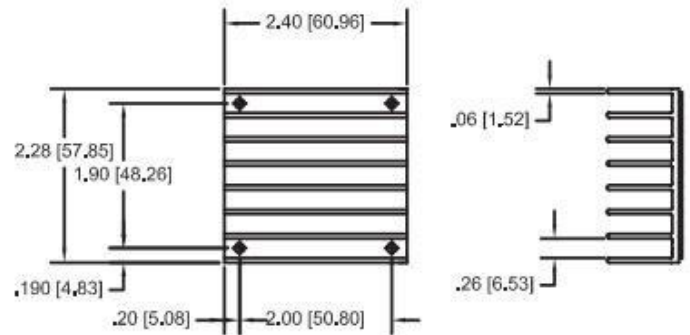
Standard P/N	Footprint Dimensions in. (mm)	Height in. (mm)	Fin Orientation	Number of Fins	THERMAL PERFORMANCE	
					Natural Convection Power Dissipation (Watts) 60°C Rise Heat Sink to Ambient	Forced Convection Thermal Resistance at 300 ft/min (C/W)
517-95AB	2.28 (57.9) x 2.40 (61.0)	0.95 (24.1)	Horizontal	8	11W	2.1
527-45AB	2.28 (57.9) x 2.40 (61.0)	0.45 (11.4)	Horizontal	11	7W	2.3
527-24AB	2.28 (57.9) x 2.40 (61.0)	0.24 (6.1)	Horizontal	11	5W	4.2
518-95AB	2.40 (61.0) x 2.28 (57.9)	0.95 (24.1)	Vertical	8	11W	2.2
528-45AB	2.40 (61.0) x 2.28 (57.9)	0.45 (11.4)	Vertical	11	7W	2.1
528-24AB	2.40 (61.0) x 2.28 (57.9)	0.24 (6.1)	Vertical	11	5W	3.5

Material: Aluminum, Black Anodized

517/527 SERIES DIMENSIONS



518/528 SERIES DIMENSIONS



Thermal Cooling Solutions from Smart to Finish

www.wakefield-vette.com

Quarter-Brick DC/DC Heat Sinks

537 & 547 Series

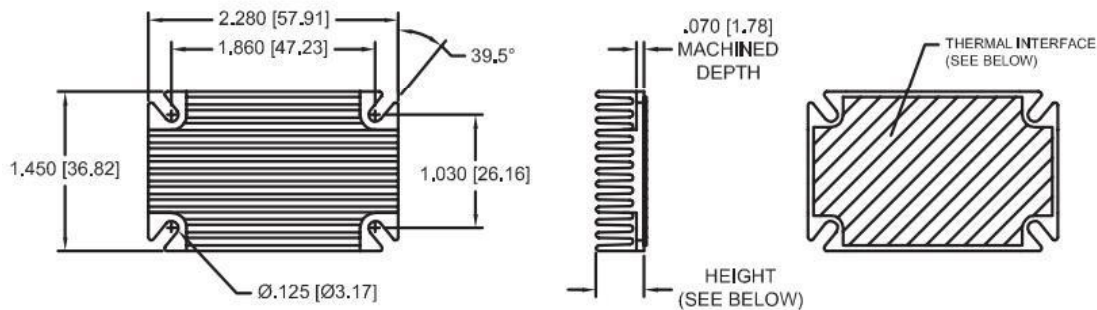
- Mounting slots accommodate two hole patterns: 1.86" x 1.03" and 2.00" x 1.20", fitting the vast majority of quarter brick converters on the market.
- Designed for optimum use in forced convection applications.
- Vertical and horizontal fin configurations available in a variety of fin heights.
- Black anodize finish standard.
- Integral thermal interface pad option eliminates need to order and install pad separately.
- Ordering a single part number with the hardware kit option provides everything necessary to keep your converter cool.



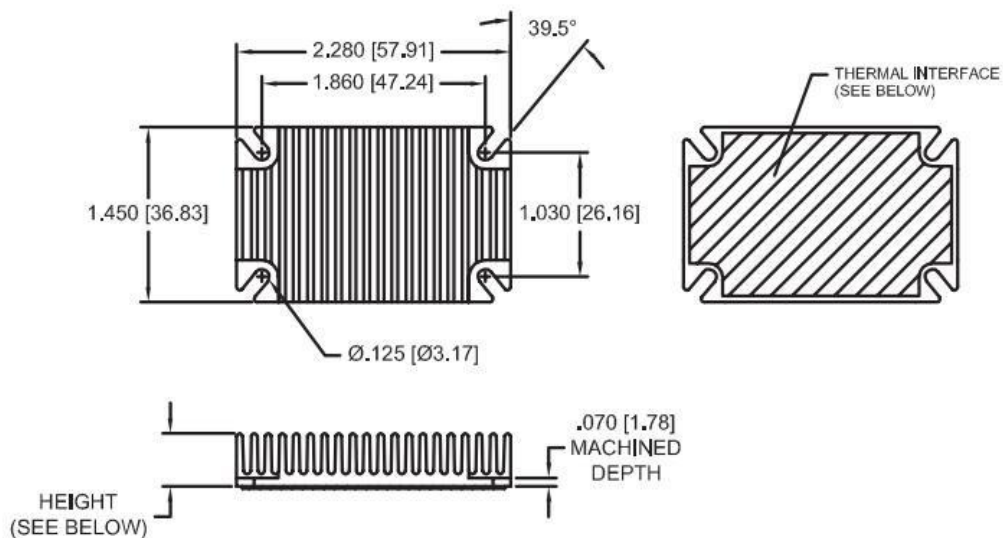
Quarter Brick 537/ 547 Series	
Manufacturer	Recommended Series
Artesyn	LQS
Artesyn	AIQ
Artesyn	AVO
Artesyn	AGQ
CUI	VQE
Ericsson	PKM
Ericsson	BMR
muRata	UVQ
muRata	UQQ
muRata	HPQ
muRata	UWQ
muRata	RBQ
power-one	UIS
power-one	UIQ
power-one	Q
TDK	PAQ
TDK	PH-A
TDK	iQE
TDK	iQL
TDK	iQG
TDK	iQB

Standard P/N	Footprint Dimensions in. (mm)	Height in. (mm)	Fin Orientation	Number of Fins	Forced Convection Thermal Resistance at 300 ft/min (C/W)
537-95AB	2.28 (57.9) x 1.45 (36.8)	0.95 (24.1)	Horizontal	8	2.1
537-45AB	2.28 (57.9) x 1.45 (36.8)	0.45 (11.4)	Horizontal	13	2.3
537-24AB	2.28 (57.9) x 1.45 (36.8)	0.24 (6.1)	Horizontal	14	4.2
547-95AB	1.45 (36.8) x 2.28 (57.9)	0.95 (24.1)	Vertical	11	2.2
547-45AB	1.45 (36.8) x 2.28 (57.9)	0.45 (11.4)	Vertical	20	2.1
547-24AB	1.45 (36.8) x 2.28 (57.9)	0.24 (6.1)	Vertical	22	3.5

Material: Aluminum, Black Anodized



547 SERIES DIMENSIONS

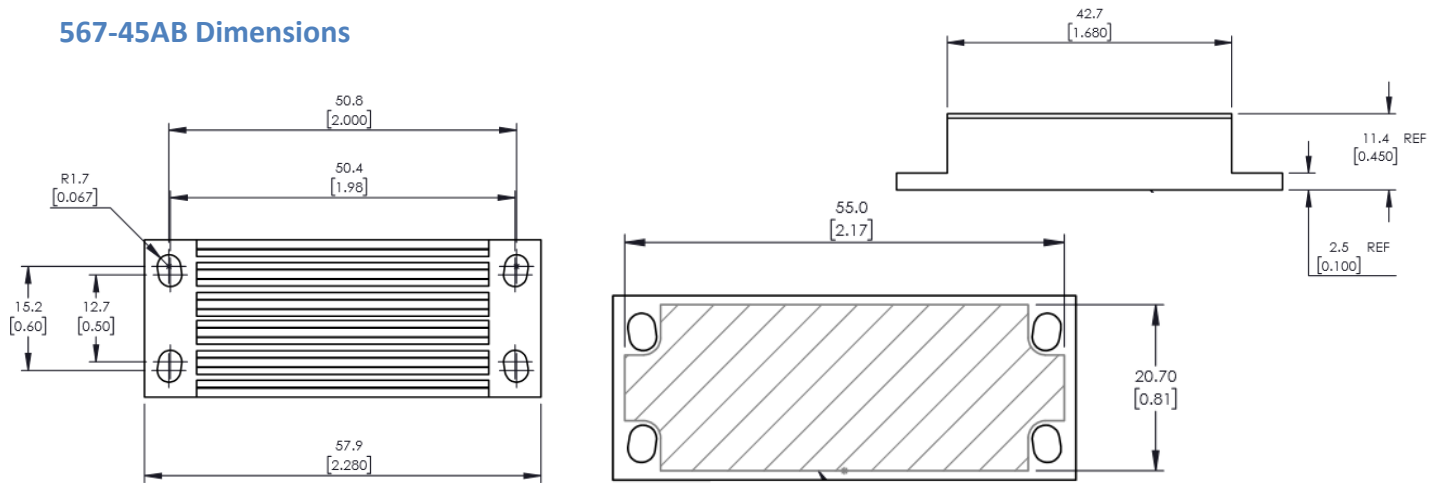


Eighth DC/DC Heat Sinks

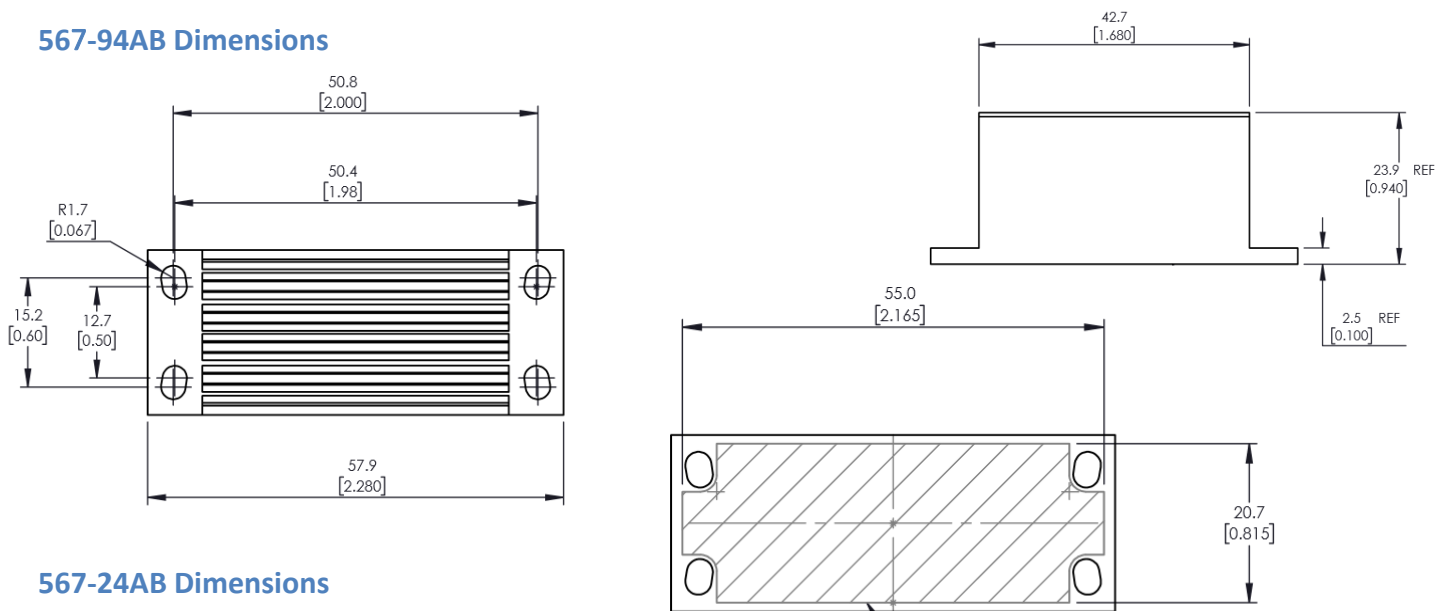
567, 568, 569 Series

WKV Part Number	Length inches (mm)	Width inches (mm)	Fin Height inches (mm)	Number of Fins	Thermal Resistance [°C/W] @ 300 LFM
567-24AB	2.17 (55)	.81 (20.7)	.241 (6.1)	6	7.2
567-45AB	2.17 (55)	.81 (20.7)	.45 (11.4)	6	4.3
567-94AB	2.17 (55)	.81 (20.7)	.94 (23.9)	6	2.2

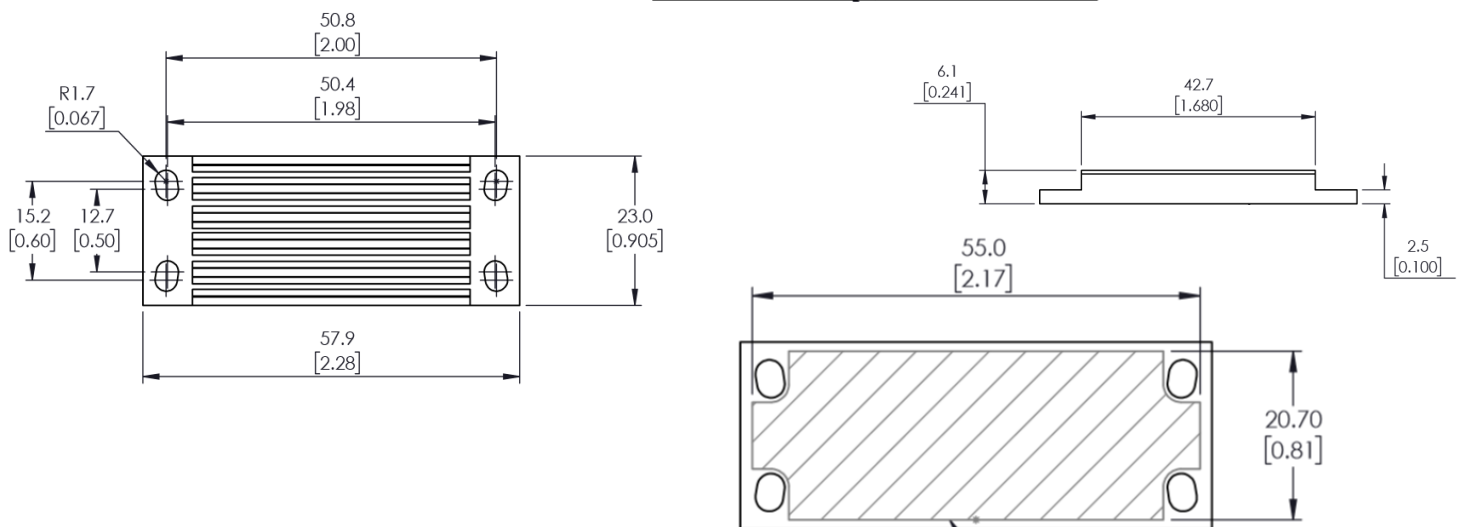
567-45AB Dimensions



567-94AB Dimensions



567-24AB Dimensions



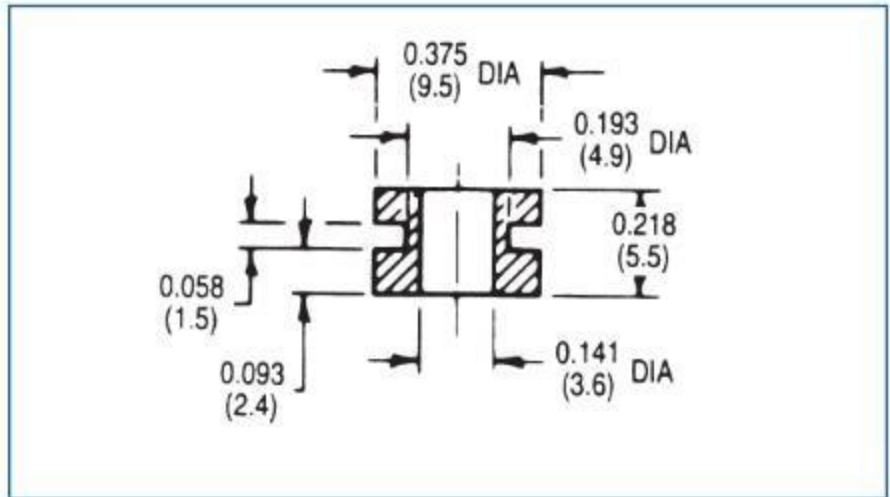
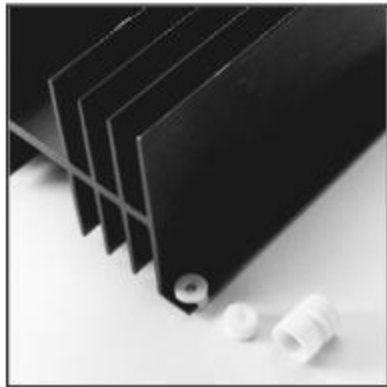
Mounting Hardware for DC/DC Heat Sinks

100, 103, 107 Series

100 SERIES Teflon Mounting Insulators

Standard P/N	Description	For Use with Series	Mounting Hardware	Material	Hipot Rating (VAC)	Weight lbs. (grams)
103	Spool-shaped insulator	300, 400, 600, 111, 113	#6-32 screw	Teflon	1500	0.00012 (0.05)
107	Spool-shaped insulator	300, 400, 600, 111, 113	#6-32 screw, nut	Teflon	5000	0.0034 (1.54)

103 SERIES



107 SERIES

