

SMB 200 Series Round Low Profile Snap-in Fresnel Lens



Available in different transparent and translucent colors and snaps fit into a 0.171"(4.34mm) dia. panel hole.

Key Features

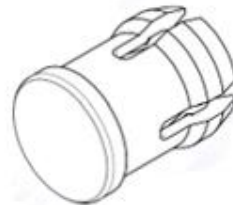
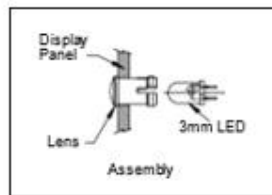
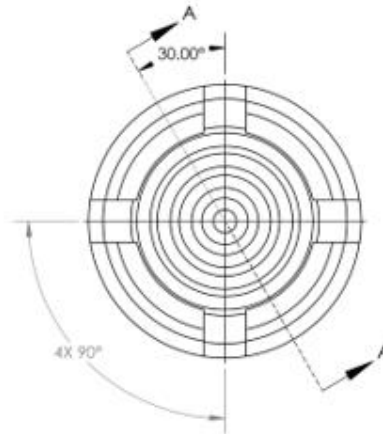
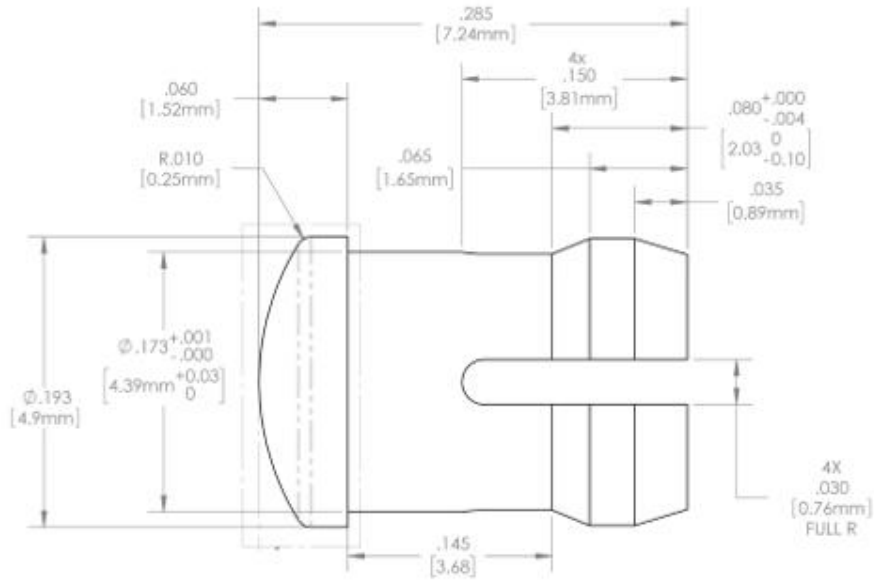
- **Mounting:** Mounts in a .171 .002 [4.34mm .05] panel hole on .250 [6.35mm] centers. Panel thickness .063 [1.6mm] to .125 [3.17mm]. Panel hole should be deburred, but not chamfered
- **Assembly:** Insert lens through panel hole, and insert LED into lens
- **Material:** Polycarbonate, UL 94-V2 GLO Series- Polycarbonate & Acrylic blend
- Lens style: Round with convex top
- Easy front panel snap-in
- Available in 7 different colors red, amber, green, blue, yellow, clear and white
- U.S. & Foreign Pat. Issued & Pending.

Ordering Data

ORDERING CODE: **SMB_200_XXX**

MATERIAL TABLE			
CODE	DESCRIPTION	PLASTIC	COLORANT/ PERCENTAGE
RTP	RED TRANSPARENT	PC - HF1130-112; UL RATING 94-V2	FCC-92808-PC-6; 4%
ATP	AMBER TRANSPARENT	PC - HF1130-112; UL RATING 94-V2	FCC-41686-PC-1; 4%
GTP	GREEN TRANSPARENT	PC - HF1130-112; UL RATING 94-V2	FCC-52676-PC-1; 4%
BTP	BLUE TRANSPARENT	PC - HF1130-112; UL RATING 94-V2	FCC-83191-PC-1; 4%
YTP	YELLOW TRANSPARENT	PC - HF1130-112; UL RATING 94-V2	FCC-41685-PC-1; 4%
CTP	CLEAR TRANSPARENT	PC - HF1130-112; UL RATING 94-V2	N/A (CLEAR)
GLO	WHITE TRANSLUCENT	PC/ACRYLIC BLEND - RTP 1800A S-24249	N/A (WHITE)

Product Dimensions



Notes:

All dimensions are in inches [mm]

Compliances and Approvals



Mouser Electronics

Authorized Distributor

Click to View Pricing, Inventory, Delivery & Lifecycle Information:

[VCC:](#)

[SMB_200_ATP](#) [SMB_200_CTP](#) [SMB_200_GTP](#) [SMB_200_RTP](#) [SMB_200_YTP](#)